

SPANISH TILE INSTALLATION DETAILS



**BERRIDGE
MANUFACTURING
COMPANY**

800-669-0009 • www.Berridge.com

INDEX	ST-0
INSTALLATION INSTRUCTIONS	STI-1
INSTALLATION INSTRUCTIONS	STI-2
INSTALLATION INSTRUCTIONS	STI-3
INSTALLATION INSTRUCTIONS	STI-4
INSTALLATION INSTRUCTIONS	STI-5
INTRODUCTION TO TYPICAL DETAILS	ST-1
OVERVIEW	ST-2
PANEL SPLICE DETAIL	ST-3
PANEL SPLICE DETAIL OVER OPEN FRAMING	ST-4
INSULATED DECK DETAIL	ST-5
EAVE DETAIL	ST-10
EAVE DETAIL OVER OPEN FRAMING	ST-11
RIDGE/HIP DETAIL	ST-20
RIDGE/HIP DETAIL OVER OPEN FRAMING	ST-21
GABLE AT RIDGE DETAIL	ST-22
SHED ROOF RIDGE CAP DETAIL	ST-23
GABLE DETAIL	ST-30
GABLE DETAIL	ST-31
GABLE DETAIL	ST-32
PARAPET DETAIL	ST-40
HEAD WALL DETAIL	ST-50
RAKE WALL DETAIL	ST-51
HEAD WALL DETAIL	ST-52
RAKE WALL DETAIL	ST-53
SLOPE TRANSITION DETAIL	ST-60
VALLEY FLASHING DETAIL	ST-70
VALLEY ISOMETRIC DETAIL	ST-71
VALLEY DETAIL OPEN FRAMING CONDITION	ST-72
ROOF PENETRATION - ROUND DETAIL - PREFERRED METHOD	ST-80
ROOF PENETRATION ROUND	ST-81
ROOF PENETRATION ROUND (SECTION)	ST-82
ROOF PENETRATION - RECTANGULAR/SQUARE	ST-83
ROOF PENETRATION SECTION - A	ST-84
ROOF PENETRATION SECTION - B	ST-85
ROOF PENETRATION ISOMETRIC	ST-86
ROOF PENETRATION OPEN FRAMING CONDITION	ST-87



**BERRIDGE
MANUFACTURING
COMPANY**

INDEX

Spanish Tile

DATE: 11-01-98

PAGE/FILE

ST-0

- A. BERRIDGE SPANISH TILE: IS COMPOSED OF INTERLOCKING BARREL TILES ON DEEP VEE PANELS WITH RIB SPACING AT 9" O.C.
- B. MINIMUM SLOPE: THE BERRIDGE SPANISH TILE SYSTEM IS RECOMMENDED FOR SLOPES OF 2 ON 12 AND GREATER.
- C. A DOUBLE LAYER OF NUMBER THIRTY FELT UNDERLAYMENT OR EQUAL IS RECOMMENDED FOR ALL APPLICATION WHERE THE ROOF SLOPE IS 3 ON 12 OR LESS.

MATERIAL STORAGE: CAUTION MUST BE EXERCISED IN STORAGE OF MATERIALS PRIOR TO INSTALLATION. KEEP ALL BERRIDGE PREFINISHED MATERIAL IN A DRY LOCATION WITH ADEQUATE VENTILATION AND OUT OF DIRECT SUNLIGHT.

- D. STRIPPABLE FILM: THE STRIPPABLE PLASTIC FILM WHICH IS APPLIED OVER MOST BERRIDGE PREFINISHED PRODUCTS, PANELS, FLASHINGS, COILS AND FLAT SHEETS PROVIDES PROTECTION OF THE FINISH DURING FABRICATION AND TRANSIT. THIS FILM MUST BE REMOVED PRIOR TO INSTALLATION.
- E. SOLID SHEATHING REQUIREMENTS: BERRIDGE MANUFACTURING COMPANY RECOMMENDS THE USE OF EITHER BERRIDGE 24 GAUGE CORRUGATED SHEATHING (NOMINAL 2 1/2" PITCH 11/16" DEPTH) OR A MINIMUM OF 1/2" SOLID WOOD SHEATHING TO PROVIDE SUFFICIENT HOLDING POWER FOR FASTENERS. CONTACT BERRIDGE MANUFACTURINGS' ENGINEERING DEPARTMENT FOR USE OF ANY OTHER TYPE OF SOLID SHEATHING.

DUE TO NUMBER THIRTY FELT TENANCY TO TEAR WHEN USED OVER CORRUGATED DECKING, BERRIDGE MANUFACTURING RECOMMENDS GRACE ICE AND WATERSHIELD OR EQUAL TO BE USED AS AN UNDERLAYMENT FOR ALL CORRUGATED DECKS.

- F. SHEATHING INSPECTION:
 - 1. SHEATHING END JOINTS SHOULD BE STAGGERED.
 - 2. ALL END JOINTS SHOULD MEET AT EITHER A JOIST OR RAFTER.
 - 3. BLOCKING OR "H" CLIPS SHOULD BE USED OF JOINTS DO NOT REMAIN FLAT UNDER THE WEIGHT OF WORKMEN.
 - 4. USE SHIMS TO JEEP ENTIRE SUBSTRATE EVEN. UNEVEN SUBSTRATE WILL RESULT IN "OIL-CANNING" IN PANELS. SUBSTRATE SHOULD BE LEVEL TO 1/4" IN 20'-0".
 - 5. ALL CUTS AT PENETRATIONS SHOULD BE TIGHT, WITHOUT GAPS.
 - 6. USE WOOD-FRAMED CRICKETS AT LARGE PENETRATIONS.
 - 7. MAKE SURE SUBSTRATE JOINTS ARE TIGHT AT ALL HIPS, VALLEYS AND RIDGES.
- G. INSTALLATION OVER OPEN FRAMING:
 - 1. PURLIN SPACING MUST COMPLY WITH LOAD CHART SHOWN ON PAGE STI-5 AND ALL APPLICABLE CODES AND SPECIFICATION REQUIREMENTS.
 - 2. DIAPHRAGM CAPABILITIES AND PURLIN STABILITY ARE MINIMAL AS PROVIDED BY THE SPANISH TILE SYSTEM. THEREFORE, OTHER BRACING MAY BE REQUIRED TO CONFORM TO A.I.S.C. SPECIFICATIONS.



**BERRIDGE
MANUFACTURING
COMPANY**

INSTALLATION INSTRUCTIONS

Spanish Tile

DATE: 11-01-98

PAGE/FILE
STI-1

H. OPEN FRAMING INSPECTION:

1. PURLINS SHOULD BE ALIGNED WITH TOP FLANGES IN THE SAME PLANE TO A TOLERANCE OF 1/4" ON 20'-0". UNEVENNESS IN THE TIP PLANE OF THE PURLINS WILL RESULT IN ABNORMAL "OIL-CANNING" OF PANELS.
2. DO NOT APPLY ON OPEN FRAMING AT VALLEYS OR ROOF PENETRATIONS WITH OUT REFERRING TO DETAILS ON PAGES ST-72 AND ST-87
3. FOOT TRAFFIC ON THE PANELS MUST BE KEPT TO A MINIMUM. ARCHITECTURAL PANELS ARE DESIGNED FOR AESTHETICS AND CAN BE EASILY DAMAGED OR DEFORMED IS EXTREME CARE IS NOT USED.

I. FASCIA/RAKE INSPECTION:

1. STRIKE A LINE THE FULL LENGTH OF THE FASCIA OR RAKE. IF NOT STRAIGHT, CORRECT WITH SHIMS.
2. MAKE SURE FASCIA/RAKE IS FLUSH WITH SHEATHING.

J. FELT UNDERLAYMENT: A SINGLE LAYER OF NUMBER THIRTY FELT UNDERLAYMENT (OR EQUAL) MUST BE APPLIED OVER SOLID SHEATHING AS SHOWN IN THE BERRIDGE MANUFACTURING COMPANY TYPICAL FELTING DETAIL. THE USE OF ADDITIONAL LAYERS OF NUMBER THIRTY FELT IS RECOMMENDED ON LOW SLOPED ROOFS, AT ALL VALLEY CONDITIONS, AT ROOF PENETRATIONS AND CERTAIN OTHER FLASHING CONDITIONS AS DEPICTED IN THE SPANISH TILE TYPICAL DETAILS.

GRACE ICE AND WATERSHIELD MAY BE REQUIRED ON LOW SLOPED ROOFS OR AT CERTAIN FLASHING CONDITIONS.

K. FELTING INSTALLATION:

1. DO NOT USE RED ROSIN PAPER UNDER METAL ROOFING PANELS.
2. SWEEP ROOF AREA CLEAN.
3. USE FLAT HEAD GALVANIZED ROOFING NAILS 1 1/4" LONG WITH BERRIDGE GALVANIZED FELT CAPS.
4. INSTALL VALLEY FELT FIRST.
5. INSTALL FELT PARALLEL TO THE EAVE, (2 LAYERS REQUIRED AT EAVE) STARTING AT EAVE AND USING MINIMUM 6" LAPS. USED 2 LAYERS OF FELT ON ENTIRE ROOF DECK IF ROOF SLOPE IS 3 ON 12 OR LESS. 2 LAYERS REQUIRED AT EAVE REGARDLESS OF SLOPE.
6. REFER TO FELTING DETAILS WHEN VALLEY OR ROOF PENETRATIONS ARE INVOLVED ON OPEN FRAMING CONDITIONS.
7. INSULATE BETWEEN WOOD BLOCKING AND METAL WITH FELT OR GRACE ICE AND WATERSHIELD.

L. ELECTROLYSIS: AVOID ALLOWING FLASHINGS AND PANELS TO COME INTO CONTACT WITH EITHER LEAD OR COPPER AND PREVENT EXPOSURE TO WATER RUNDOWN FROM COPPER AND/OR LEAD.

M. SEALANT RECOMMENDATIONS: TREMCO, INC. SPECTREM 1 SILICONE SEALANT.
DO NOT USE CLEAR CAULK



**BERRIDGE
MANUFACTURING
COMPANY**

INSTALLATION INSTRUCTIONS

Spanish Tile

DATE: 11-01-98

PAGE/FILE
STI-2

N. FLASHING: IF BERRIDGE MANUFACTURING COMPANY IS TO SUPPLY FLASHING, ALL FLASHINGS WILL BE FABRICATED IN 10'-0" LENGTHS WITH SQUARE END CUTS ONLY. THE PURCHASER MUST PROVIDE ALL DIMENSIONS AND DEGREE OF ANGLES.

FLASHING INSTALLATION:

1. REMOVE STRIPPABLE PLASTIC FILM FROM ALL FLASHINGS PRIOR TO INSTALLATION.
2. ALWAYS STAGGER JOINTS WHEN ONE FLASHING IS INSTALLED OVER OTHER FLASHINGS.
3. INSTALL ALL FLASHINGS AS PER BERRIDGE TYPICAL DETAILS.
4. ALL FLASHINGS ARE TO BE DESIGNED AND INSTALLED TO NOT TRAP WATER.

O. PANELS: BERRIDGE MANUFACTURING COMPANY WILL PROVIDE SQUARE END CUTS ONLY ON ALL DEEP VEE PANELS. COMPUTATION OF ALL QUANTITIES AND DIMENSIONS ARE THE RESPONSIBILITY OF THE PURCHASER.

P. PANEL INSTALLATION:

1. REMOVE STRIPPABLE PLASTIC FILM FROM EACH DEEP VEE PANEL PRIOR TO INSTALLATION.
2. DETERMINE CENTER LINE OF ROOF AREA AND START PANEL INSTALLATION AT THE CENTER OF THE ROOF, WORKING TOWARD THE GABLE ENDS. MAKE SURE PANELS ARE PERPENDICULAR TO THE EAVE. AT VALLEY AREAS, MAKE SURE PANELS ARE INSTALLED SO THAT WATER HAS FREE FLOW AND IS NOT OBSTRUCTED BY PANEL RIBS.
3. COPPER-COTE™, ZINC-COTE™, PREWEATHERED GALVALUME® AND CHAMPAGNE PANEL INSTALLATION: NOTE THE SERIES OF ARROWS PAINTED ON THE UNDER SIDE OF THE PANEL. ALL PANELS MUST BE INSTALLED IN A CONSISTENT MANNER, MEANING THAT THE ARROWS ON EVERY PANEL ARE ALL POINTING IN THE SAME DIRECTION. IF A PANEL IS REVERSED (ARROWS POINTING OPPOSITE OF THOSE ON OTHER PANELS) IT WILL APPEAR, FROM A DISTANCE, A DIFFERENT SHADE TO THE GRANULAR EFFECT OF THE PIGMENT IN THE FINISH. METALLIC FINISHED ARE MATCH-LOT FINISHED. DO NOT MIX LOTS.

Q. SPANISH TILES: ARE FACTORY FABRICATED 17" LONG AND 8" WIDE INTERLOCKING BARREL TILES.

R. SPANISH TILE INSTALLATION:

1. REMOVE STRIPPABLE PLASTIC FILM FROM EACH TILE PRIOR TO INSTALLATION.
2. IN MOST CASES, TILES MAY BE INSTALLED AFTER ALL PANELS ARE INSTALLED.
3. WHEN THE PANELS ARE INSTALLED OVER OPEN FRAMING AND OR STEEP ROOF SLOPES, IT IS RECOMMENDED THAT THE TILES BE INSTALLED AT THE SAME TIME AS THE PANELS.
4. EACH TILE INTERLOCKS WITH THE TILE BELOW IT AS YOU WORK UP THE ROOF. THE TILE LAPS AT INTERLOCK IS ADJUSTABLE FROM A MINIMUM OF 1" TO A MAXIMUM OF 4". ALL TILE LAPS MUST BE THE SAME THOUGHT OF THE INSTALLATION FOR AN AESTHETICALLY PLEASING INSTALLATION.

S. FASTENERS: INSTALL FASTENERS AS PER TYPICAL DETAILS. USE A 3 1/2" LONG GALVANIZED RING SHANK NAIL FOR INSTALLATION OF DEEP VEE PANEL OVER WOOD SHEATHING AND USE # 10 - 16 X 3" SMS FOR INSTALLATION OF DEEP VEE PANEL TO METAL.



**BERRIDGE
MANUFACTURING
COMPANY**

INSTALLATION INSTRUCTIONS

Spanish Tile

DATE: 11-01-98

PAGE/FILE
STI-3

OPTIONAL ATTACHMENT OF DEEP VEE PANEL. USE A HEX HEAD FASTENER WITH A METAL BACKED NEOPRENE WASHER, SHEET METAL OR WOOD SCREW (1) EACH SIDE OF PANEL RIB THROUGH PANEL PAN. FASTENERS TO BE SIZED TO MEET LOAD REQUIREMENTS.

INTERLOCKING SPANISH TILES SHALL BE ATTACHED TO THE TOP OF THE RIB ON THE DEEP VEE PANEL WITH # 8 TEK SCREWS.

WHEN SURE ALL FASTENERS ARE DRIVEN STRAIGHT AND SET FLAT. DO NOT OVERDRIVE FASTENERS, AS THIS WILL CAUSE THE DEEP VEE PANEL, SPANISH TILE AND/OR FLASHINGS TO BUCKLE OR BECOME RECESSED BELOW THE ELEVATION OF THE SUBSTRATE.

(NOTE: IF LOCAL CODES OR OTHER REGULATIONS DICTATE SPECIFIC WIND UPLIFT REQUIREMENTS, CONSULT THE BERRIDGE ENGINEERING DEPARTMENT, AS IT MAY BE NECESSARY TO USE A DIFFERENT FASTENER OR FASTENER SPACING).

CONSULT BERRIDGE MANUFACTURINGS' ENGINEERING DEPARTMENT REGARDING THE USE OF ANY OTHER TYPE OF FASTENER.

BERRIDGE MANUFACTURING COMPANY STRIVES TO PROVIDE ITS CUSTOMERS WITH THE HIGHEST QUALITY STRETCHER LEVELED STEEL AVAILABLE. THE LATEST TECHNOLOGY IS ALSO INCORPORATED IN BERRIDGE'S HIGH-PRECISION COIL HANDLING AND ROLL FORMING EQUIPMENT TO MINIMIZE THE STRESS ON METAL DURING PRODUCTION. FURTHERMORE, BERRIDGE UTILIZES HEAVIER 24 GAUGE METAL RATHER THAN 26 GAUGE STEEL TO LIGHT GAUGE ALUMINUM AS OFFERED BY MANY COMPETITORS. ALL THESE MEASURES HAVE BEEN TAKEN TO MINIMIZE THE AMOUNT OF "OILCANNING" (WAVINESS) WHICH IS NATURALLY INHERENT IN FLAT SHEET METAL. MANY TIMES, HOWEVER, THE CAUSE OF WAVINESS OR "OIL-CANNING" CAN BE TRACED TO UNEVEN SHEATHING, IMPROPER FELT INSTALLATION OR, IN THE CASE OF OPEN FRAMING, UNEVENNESS OF THE TOP PLANE OF THE PURLINS OR FOOT TRAFFIC ON THE PANELS.

ALL ARCHITECTURAL PANELS REQUIRE CARE IN HANDLING AND INSTALLATION TO AVOID DAMAGING OR DEFORMING THE PANELS.

THESE INSTALLATION INSTRUCTIONS AND THE FOLLOWING TYPICAL DETAILS ARE INTENDED TO PROVIDE OUR CUSTOMERS WITH THE INFORMATION REQUIRED FOR AN AESTHETICALLY PLEASING AND FUNCTIONAL INSTALLATION OF THE BERRIDGE SPANISH TILE SYSTEM.

NOTE: ALL PRODUCT SPECIFICATIONS, DETAIL AND INSTALLATION INSTRUCTIONS SUBJECT TO CHANGE WITHOUT NOTICE. FOR SPECIFIC PROJECT DETAILS, CONTACT BERRIDGE MANUFACTURING COMPANY.



**BERRIDGE
MANUFACTURING
COMPANY**

INSTALLATION INSTRUCTIONS

Spanish Tile

DATE: 11-01-98

PAGE/FILE
STI-4

SECTION PROPERTIES BASED ON 24 GAUGE 40 KSI			
SPANISH TILE	dI_x (In ⁴ /ft)	M_A (Ft-lbs/Ft)	V_A (LBS)
POSITIVE BENDING	0.1097	217.7	1100
NEGATIVE BENDING	0.0703	142.9	1100

Properties are effective and are Per Foot of panel coverage. Based on 1986 AISI COLDFORM STEEL DESIGN MANUAL, March 1987, and Rational Analysis. Design Thickness = 0.0215 in.

RECOMMENDED LOAD IN POUNDS PER SQUARE FOOT (PANEL WEIGHT = 1.3 PSF)						
SPAN (FT)	NET VERTICAL LIVE LOAD			NET VERTICAL WIND UPLIFT		
	1-SPAN	2-SPAN	3-SPAN	1-SPAN	2-SPAN	3-SPAN
2'-0"	70	70	70	90	90	90
2'-6"	70	70	70	90	90	90
3'-0"	70	70	70	90	90	90
3'-6"	70	70	70	90	90	90
4'-0"	65	65	70	70	90	90
4'-6"		50	60		90	90
5'-0"		40	50		70	70
6'-0"						
7'-0"						

1. ALL LOADS MEET L/240 DEFLECTION CRITERIA
2. WIND LOAD ALLOWABLE STRESSES INCREASED BY 33%



**BERRIDGE
MANUFACTURING
COMPANY**

INSTALLATION INSTRUCTIONS

Spanish Tile

DATE: 11-01-98

PAGE/FILE
STI-5

THE DETAILS CONTAINED IN THE FOLLOWING PAGES ARE MERELY RECOMMENDATIONS AS TO HOW BERRIDGE MANUFACTURING MATERIALS SHOULD BE INSTALLED. THEY MAY REQUIRE ADAPTATIONS OR MODIFICATIONS FOR A SPECIFIC PROJECT AS CONDITIONS VARY IN BOTH BUILDING DESIGN AND LOCAL WEATHER PECULIARITIES.

BERRIDGE MANUFACTURING COMPANY SHALL BE HELD HARMLESS FROM ANY AND ALL CLAIMS ARISING FROM A LACK OF WATERTIGHTNESS AS A RESULT OF FOLLOWING THESE RECOMMENDED DETAILS. ENSURING WATERTIGHTNESS ON ANY GIVEN PROJECT IS THE FUNCTION OF THE INSTALLER. THE ARCHITECT/GENERAL CONTRACTOR/INSTALLER MUST ACCEPT THE RESPONSIBILITY TO ADAPT THESE DETAILS TO MEET PARTICULAR BUILDING REQUIREMENTS AND TO ASSURE ADEQUATE WATERTIGHTNESS.

THE INSTALLER CAN VIRTUALLY ASSURE WATERTIGHTNESS IF THESE FLASHING DETAILS HAVE BEEN PROPERLY ADAPTED, ADEQUATE LAPS HAVE BEEN PROVIDED, CORRECT TYPE OF SEALANT USED, ALL JOINTS ADEQUATELY CAULKED AND PROFESSIONAL WORKMANSHIP EMPLOYED.



**BERRIDGE
MANUFACTURING
COMPANY**

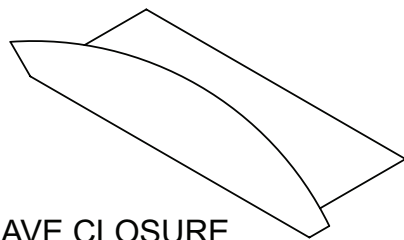
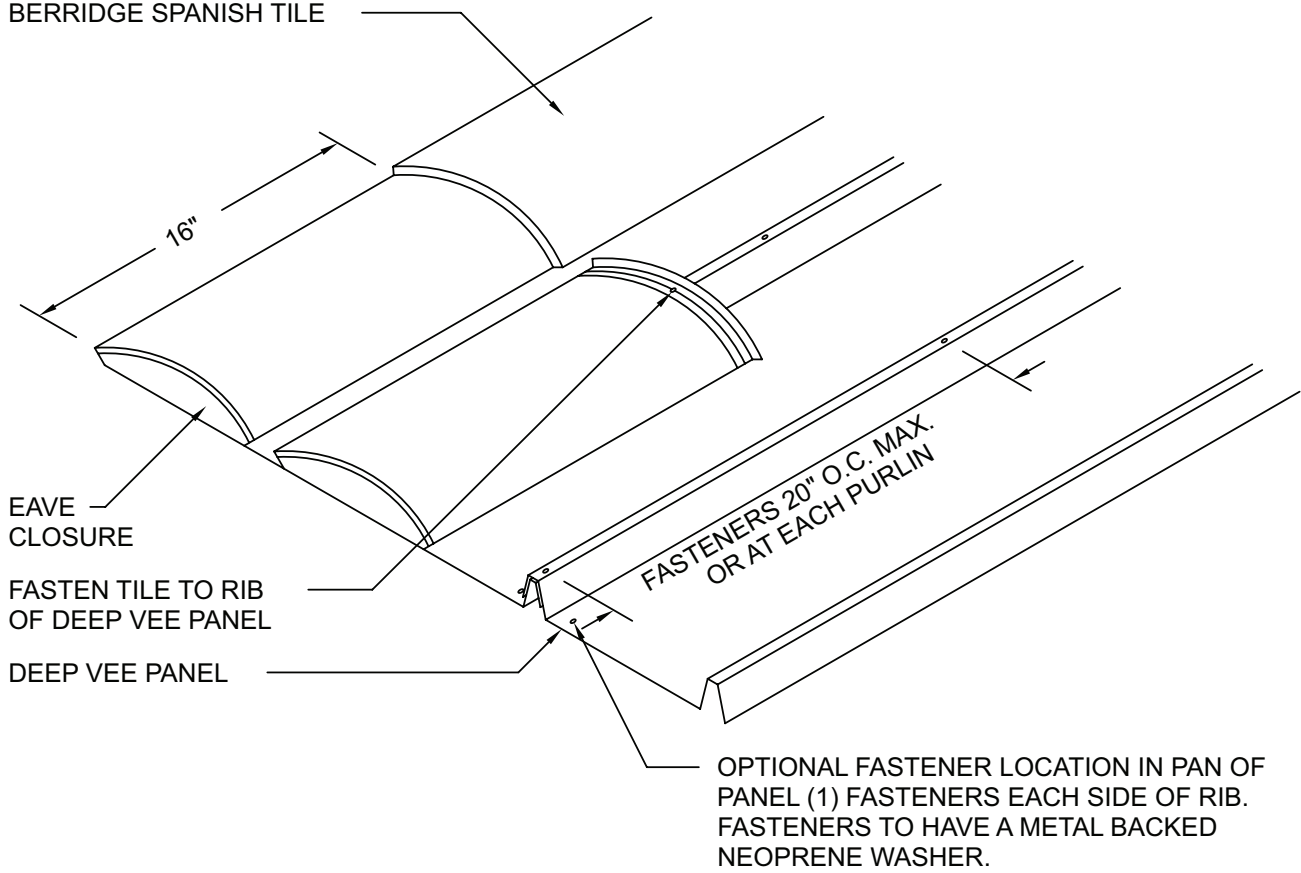
**INTRODUCTION TO
TYPICAL DETAILS**

Spanish Tile

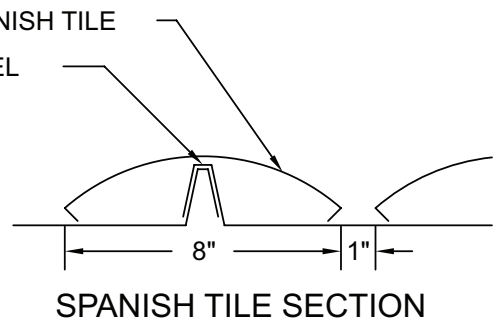
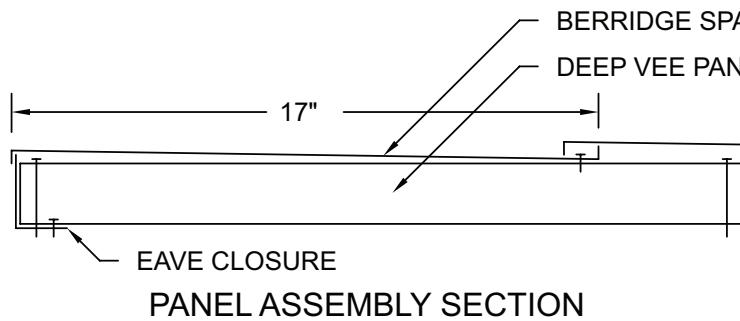
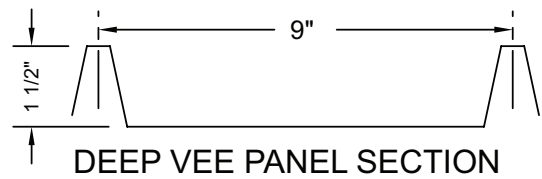
DATE: 11-01-98

PAGE/FILE
ST-1

BERRIDGE SPANISH TILE



EAVE CLOSURE



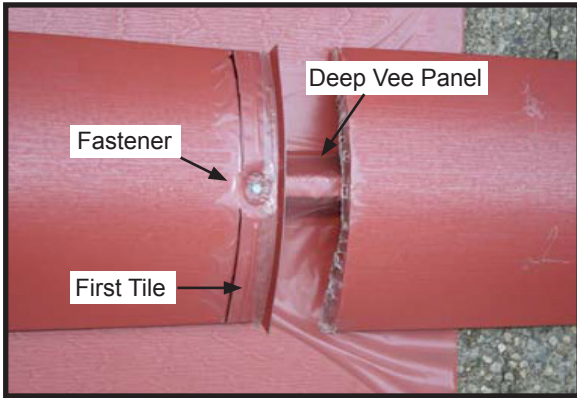
**BERRIDGE
MANUFACTURING
COMPANY**

OVERVIEW

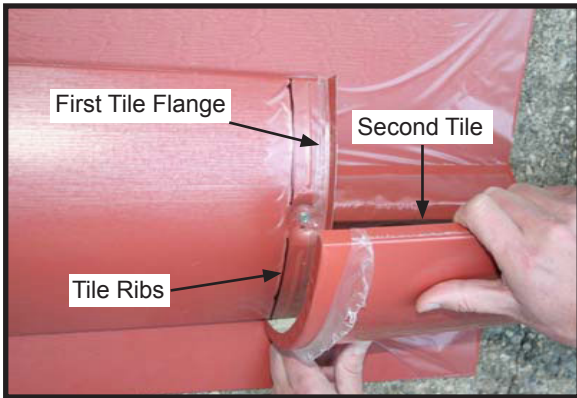
Spanish Tile

DATE: 11-01-98

PAGE/FILE
ST-2



Step 1: Install first tile at eave and fasten to rib of Deep Vee Panel



Step 2: Elevate second tile over first and engage one side on to flange of first tile, keep end of tile below tile ribs.

Remember to remove strippable plastic film from Deep Vee panel and Spanish Tile prior to installation.



Step 3: Keeping palm of one hand as shown and lower other side of tile



Step 4: With second hand push down to engage this tile on to the first tiles flange, some force will be required to POP this tile into place



Tile installed properly will fit tight on to lower tiles, do not trim off edges of tile flange.



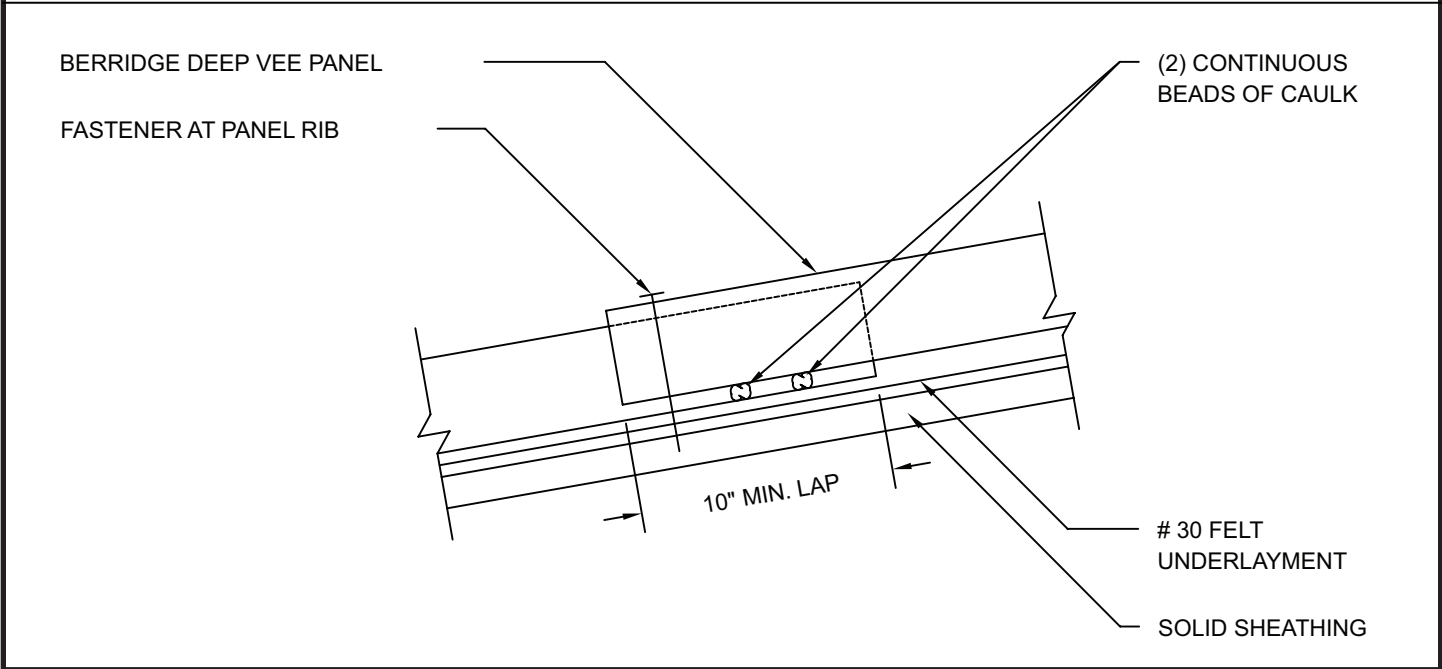
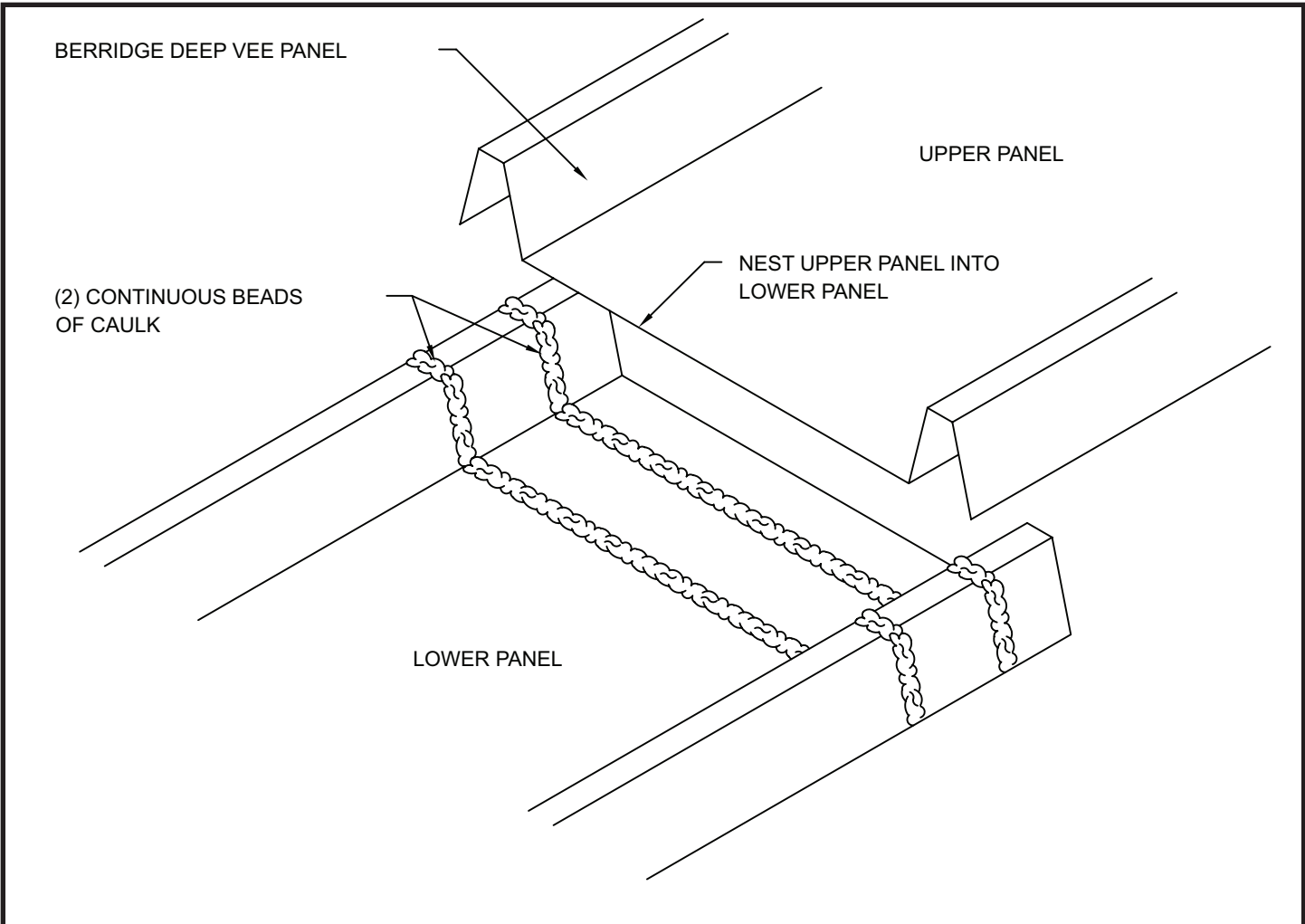
**BERRIDGE
MANUFACTURING
COMPANY**

OVERVIEW

Spanish Tile

DATE: 06-20-18

PAGE/FILE
ST-2.1



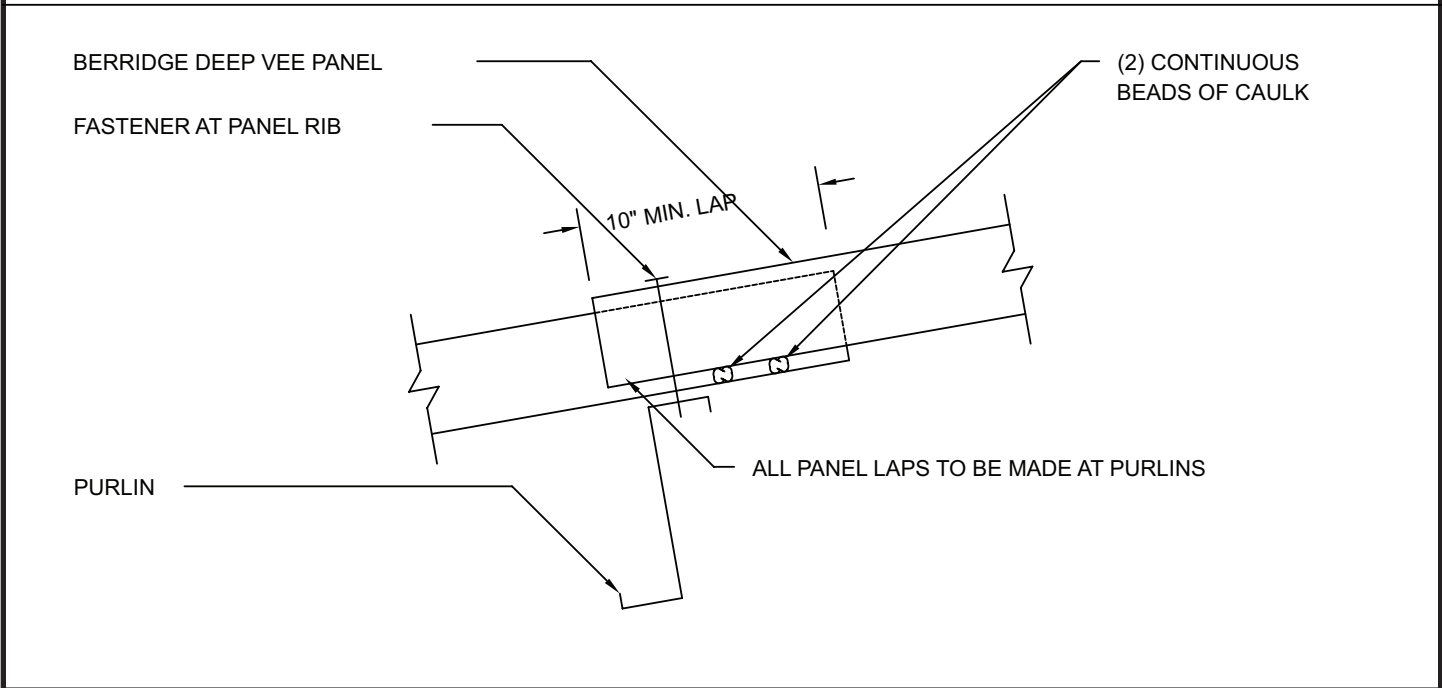
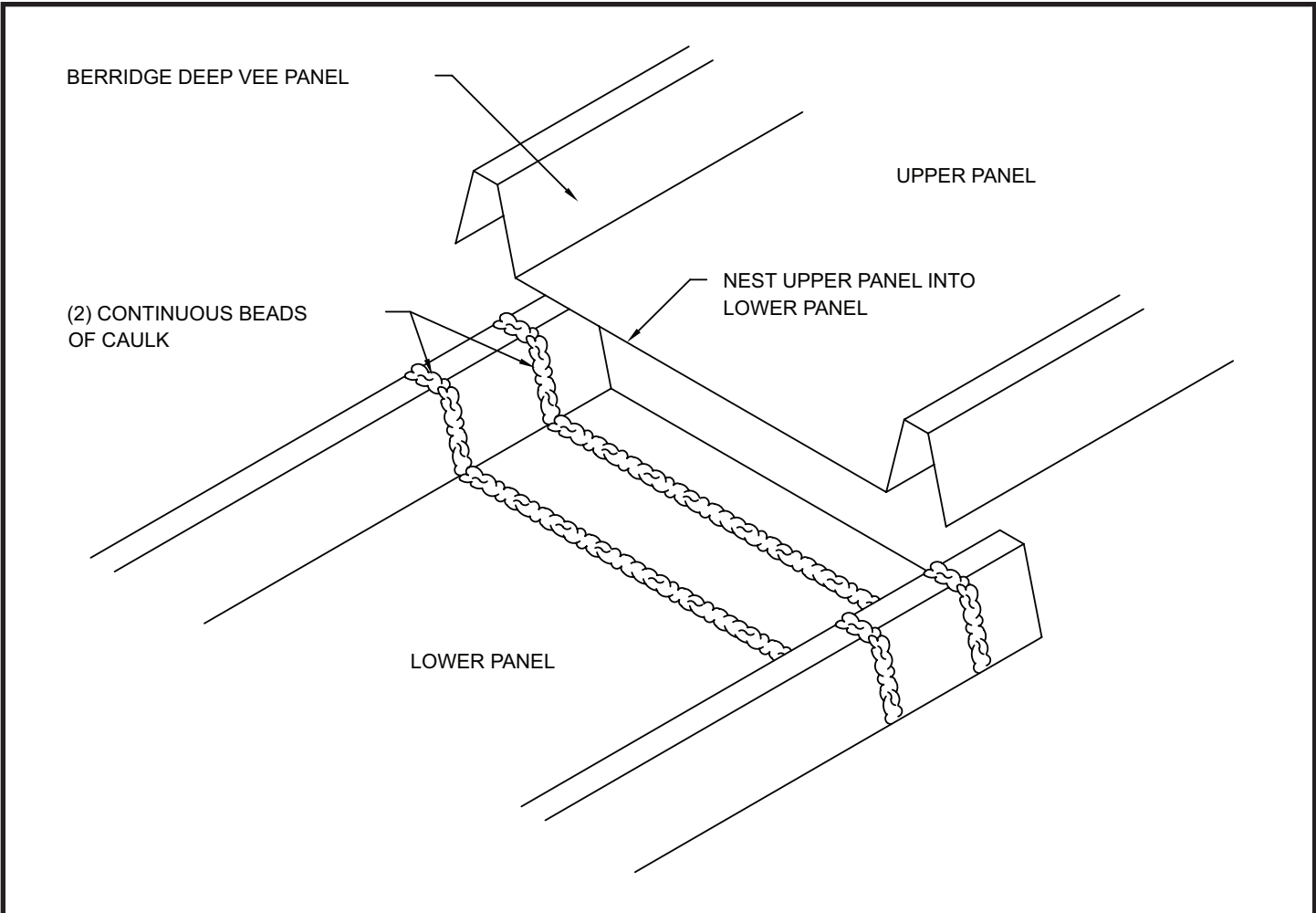
BERRIDGE
MANUFACTURING
COMPANY

PANEL LAP DETAIL

Spanish Tile

DATE: 11-01-98

PAGE/FILE
 ST-3



**BERRIDGE
MANUFACTURING
COMPANY**

Roofs of Distinction

**PANEL LAP DETAIL
OVER OPEN FRAMING**

Spanish Tile

DATE: 11-01-98

PAGE/FILE
ST-4

BERRIDGE SPANISH TILE SYSTEM

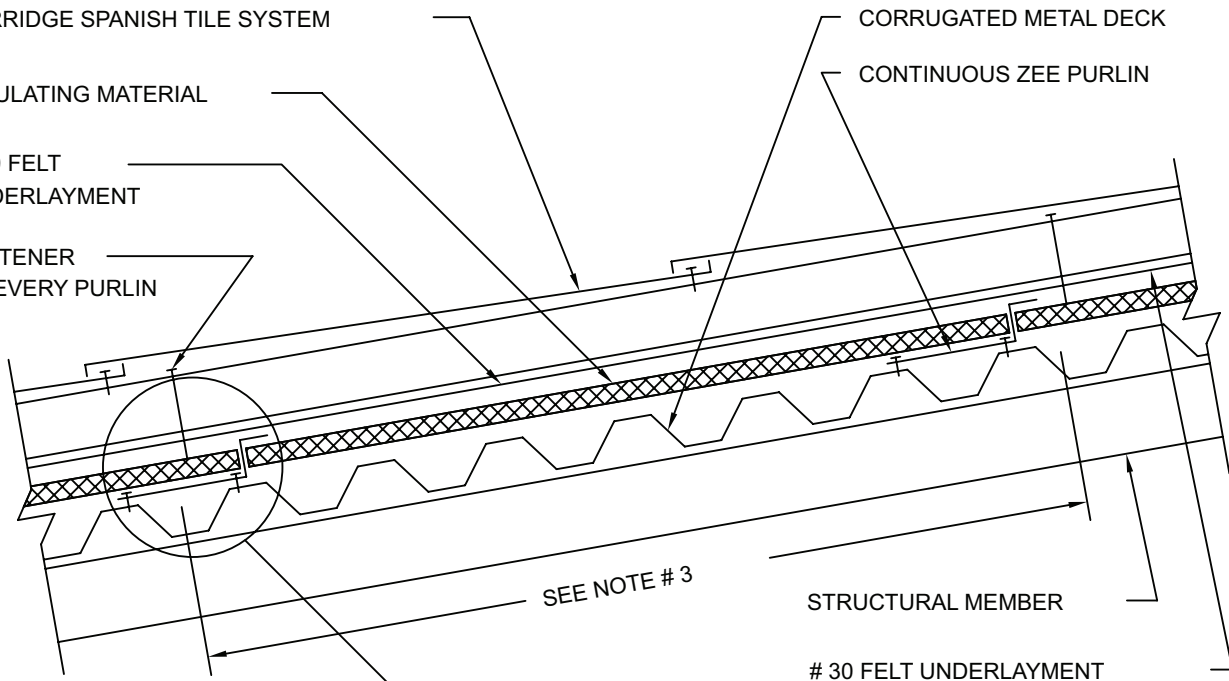
INSULATING MATERIAL

30 FELT UNDERLAYMENT

FASTENER AT EVERY PURLIN

CORRUGATED METAL DECK

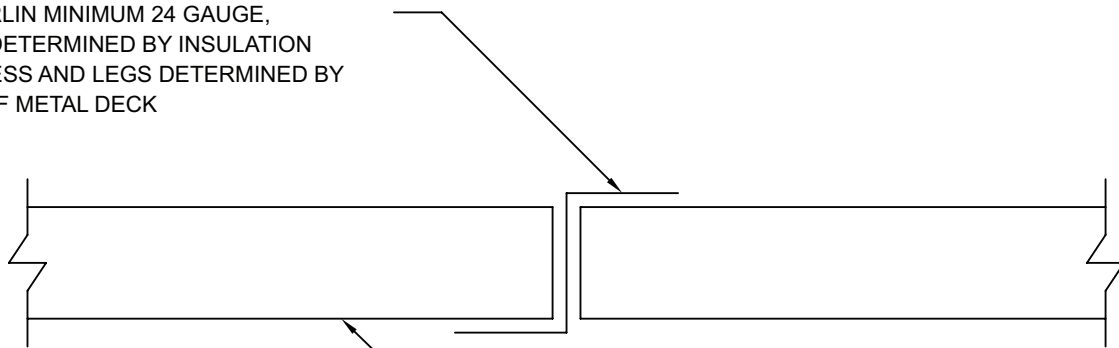
CONTINUOUS ZEE PURLIN



SEE ZEE PURLIN DETAIL BELOW

1. ALL FELT UNDERLAYMENT, STRUCTURAL MEMBERS, CORRUGATED METAL DECK AND INSULATING MATERIAL ARE ITEMS TO BE FURNISHED AND INSTALLED BY OTHERS AT THE DISCRETION OR THE ARCHITECT.
2. CONTINUOUS WOOD BLOCKING (BY OTHERS) MAY BE USED IN LIEU OF ZEE PURLINS, BLOCKING MUST BE SAME DEPTH AS INSULATION.
3. PURLIN SPACING AND FASTENER TYPE WILL BE DEPENDENT ON GOVERNING CODE AND SPECIFICATION REQUIREMENTS.

ZEE PURLIN MINIMUM 24 GAUGE,
DEPTH DETERMINED BY INSULATION
THICKNESS AND LEGS DETERMINED BY
PITCH OF METAL DECK



BUTT INSULATION UP TO PURLIN

ZEE PURLIN DETAIL



**BERRIDGE
MANUFACTURING
COMPANY**

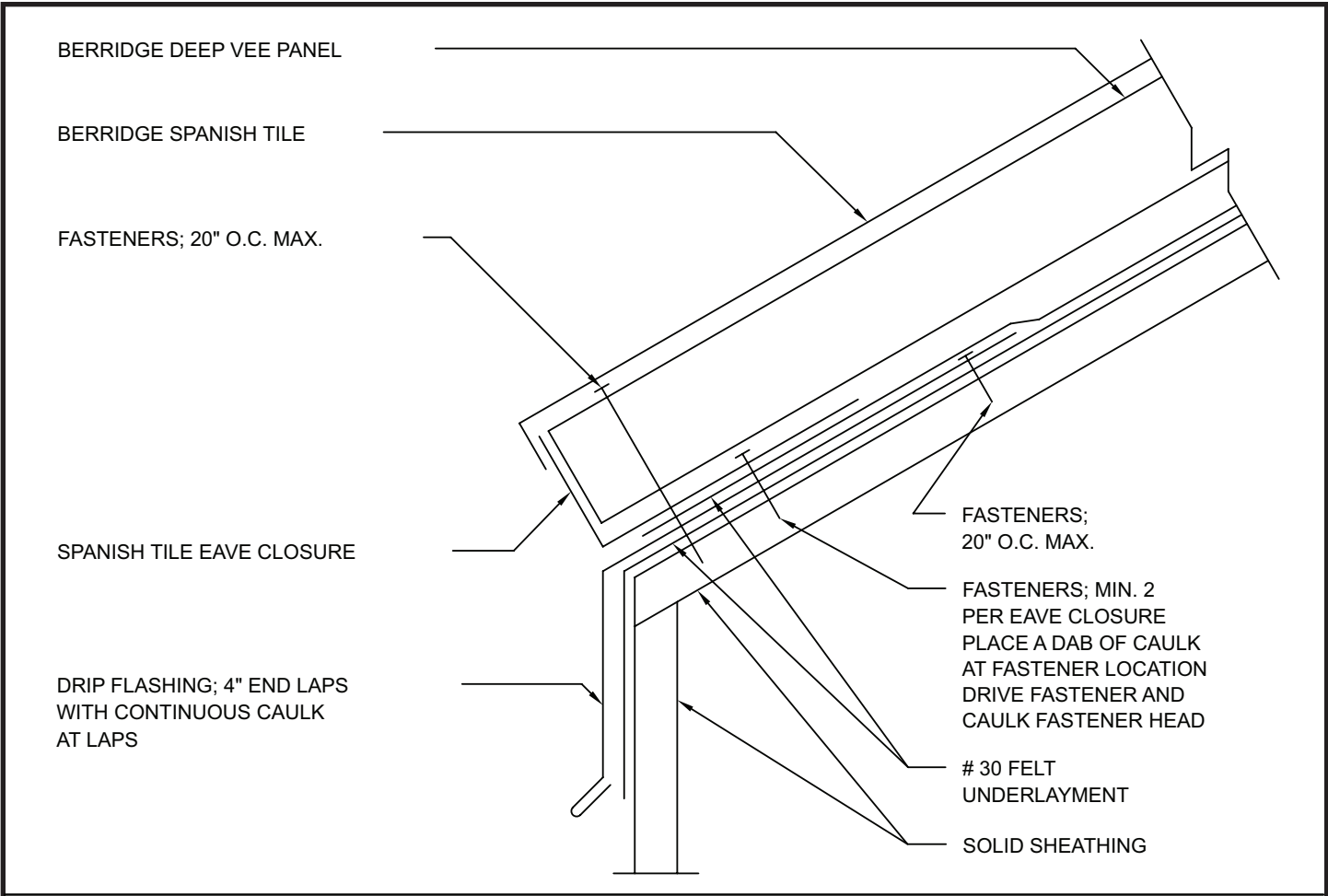
Roofs of Distinction

**INSULATED DECK
DETAIL**

Spanish Tile

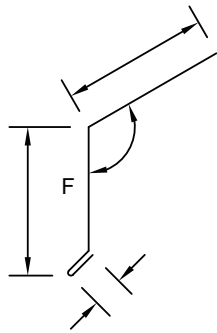
DATE: 11-01-98

PAGE/FILE
ST-5

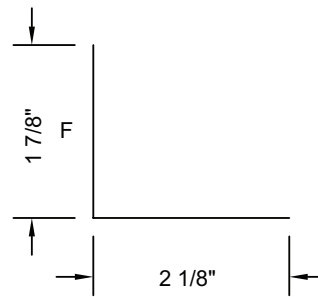


1. IF SOLID SHEATHING (BY OTHERS) IS USED, SHEATHING MUST BE MINIMUM 1/2" PLYWOOD OR EQUIVALENT IN STRENGTH FOR HOLDING POWER OF FASTENERS.
2. ALL FELTING UNDERLAYMENT, CAULKING AND FASTENERS ARE ITEMS TO BE FURNISHED AND INSTALLED BY THE ROOFING INSTALLER AT THE DISCRETION OF THE ARCHITECT.

F = FINISH SIDE



DRIP FLASHING



EAVE CLOSURE



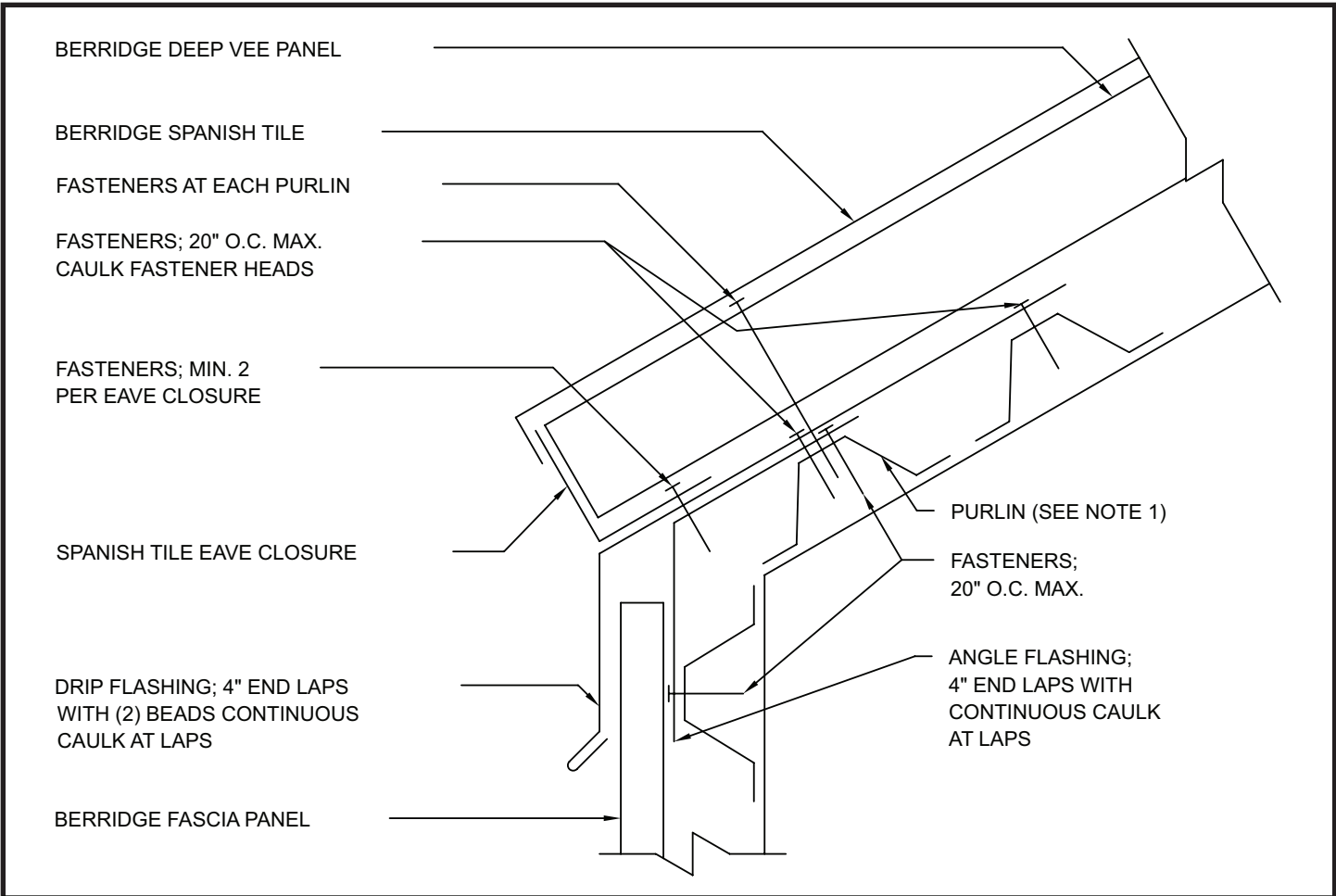
BERRIDGE
MANUFACTURING
COMPANY

EAVE DETAIL

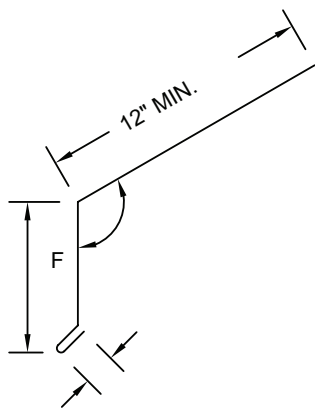
Spanish Tile

DATE: 11-01-98

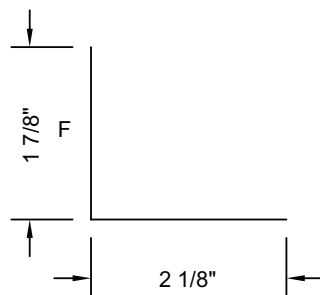
PAGE/FILE
 ST-10



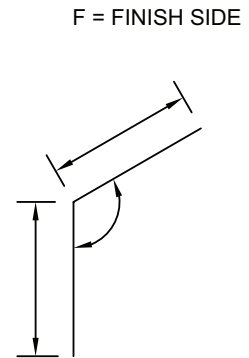
1. PURLIN SPACING TO BE DETERMINED BY OTHERS, MAXIMUM SPACING 5'-0".
2. ALL CAULKING AND FASTENERS ARE ITEMS TO BE FURNISHED AND INSTALLED BY THE ROOFING INSTALLER AT THE DISCRETION OF THE ARCHITECT.



DRIP FLASHING



EAVE CLOSURE



F = FINISH SIDE



**BERRIDGE
MANUFACTURING
COMPANY**

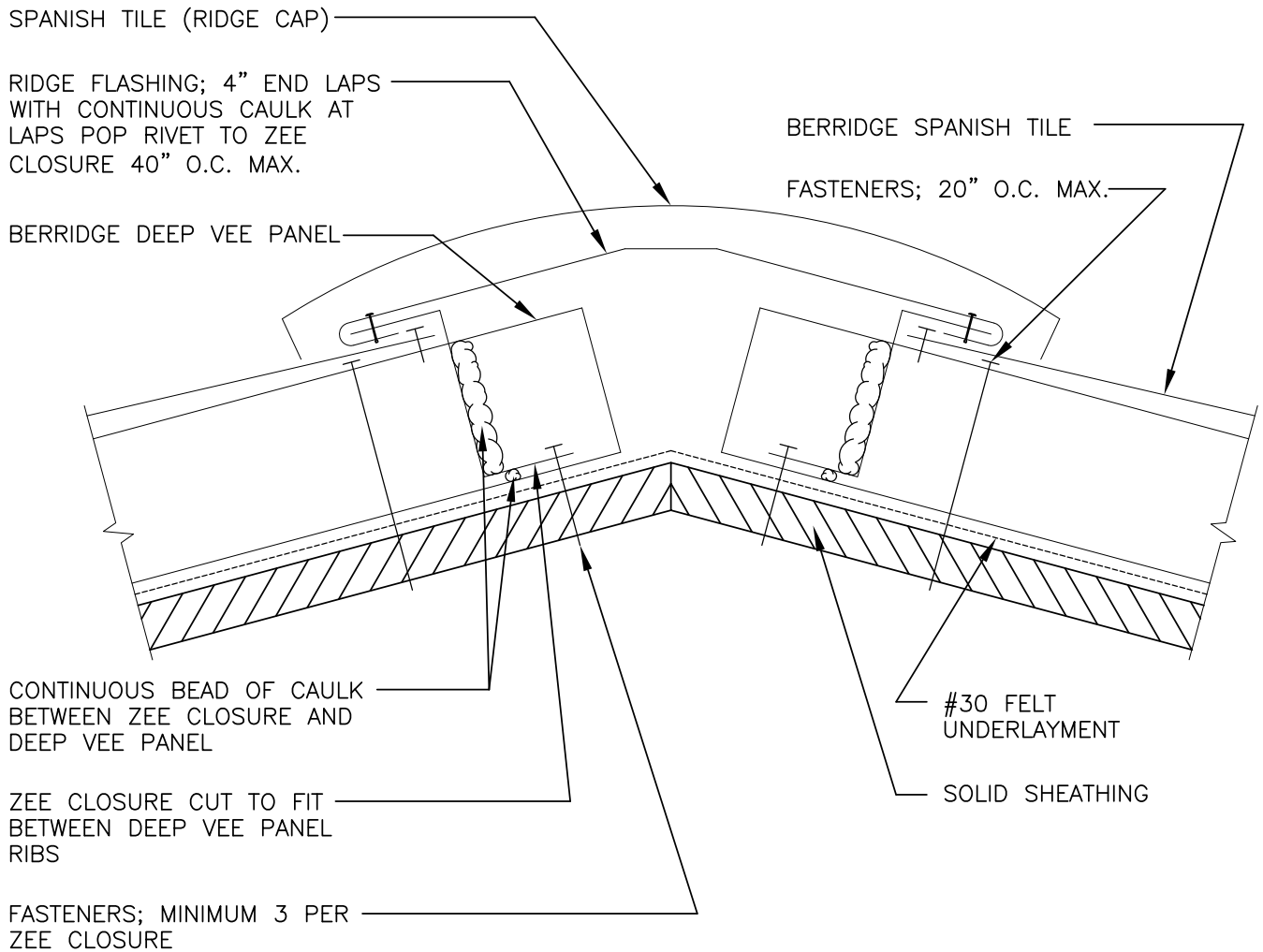
Roofs of Distinction

**ALTERNATE EAVE DETAIL
OPEN FRAMING CONDITION**

Spanish Tile

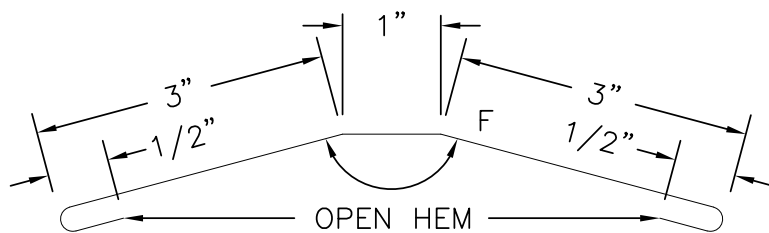
DATE: 11-01-98

PAGE/FILE
ST-11

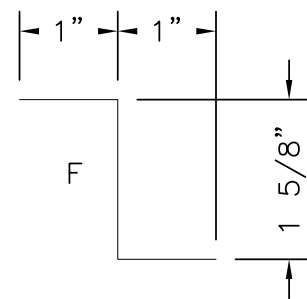


1. FIELD CUT ZEE CLOSURE TO FIT BETWEEN PANEL RIBS.
2. SOLID SHEATHING (BY OTHERS) TO BE MINIMUM 1/2" PLYWOOD OR EQUIVALENT IN STRENGTH FOR HOLDING POWER OF FASTENERS.
3. ALL CAULKING AND FASTENERS ARE ITEMS TO BE FURNISHED AND INSTALLED BY THE ROOFING INSTALLER AT THE DISCRETION OF THE ARCHITECT.

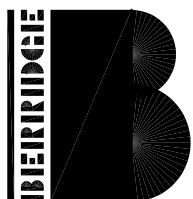
F = FINISH SIDE



RIDGE FLASHING



ZEE CLOSURE



Berridge
Manufacturing
Company

Roofs of Distinction

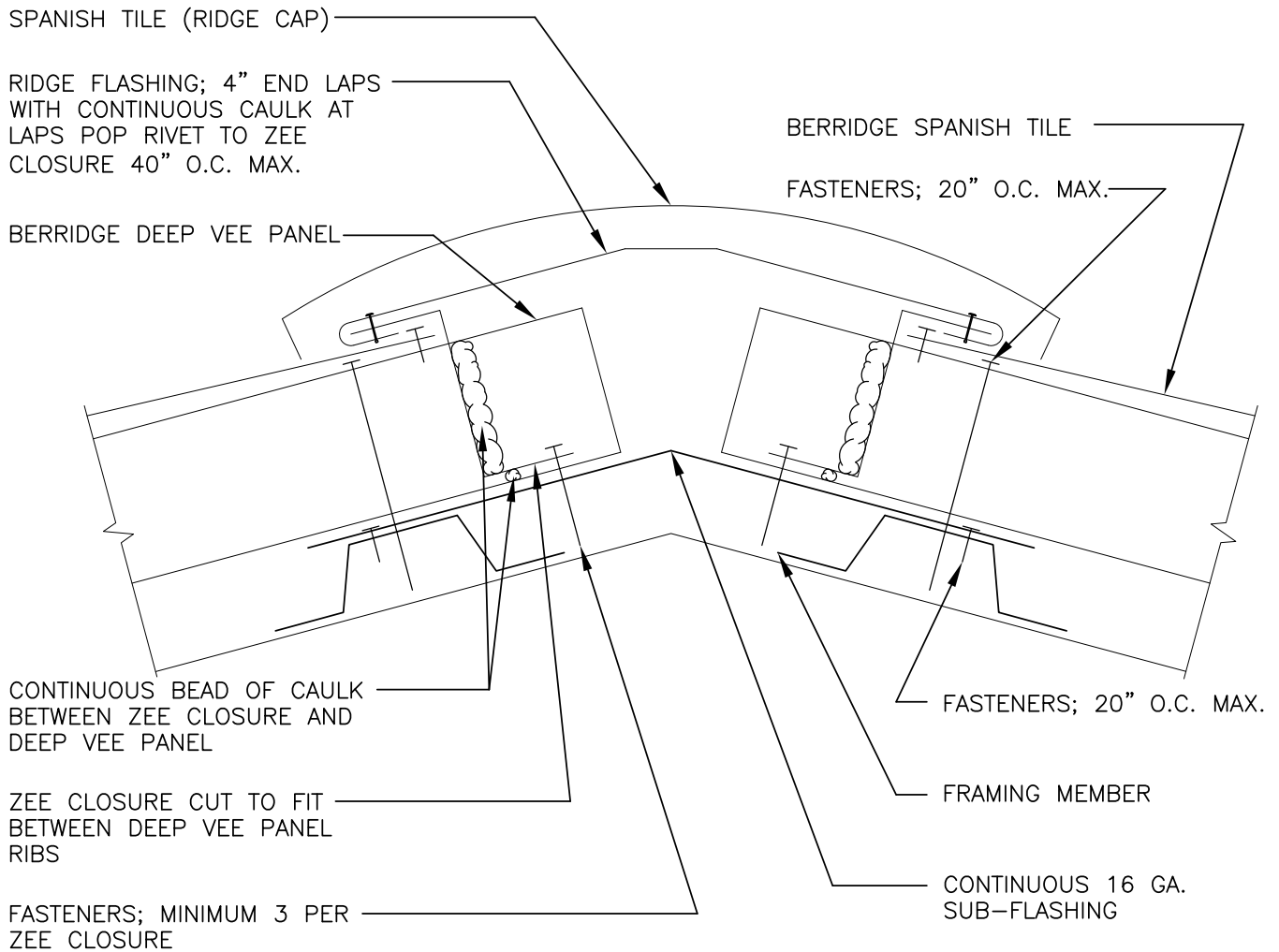
RIDGE/HIP DETAIL

SPANISH TILE

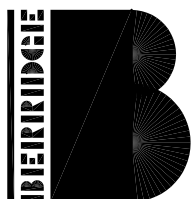
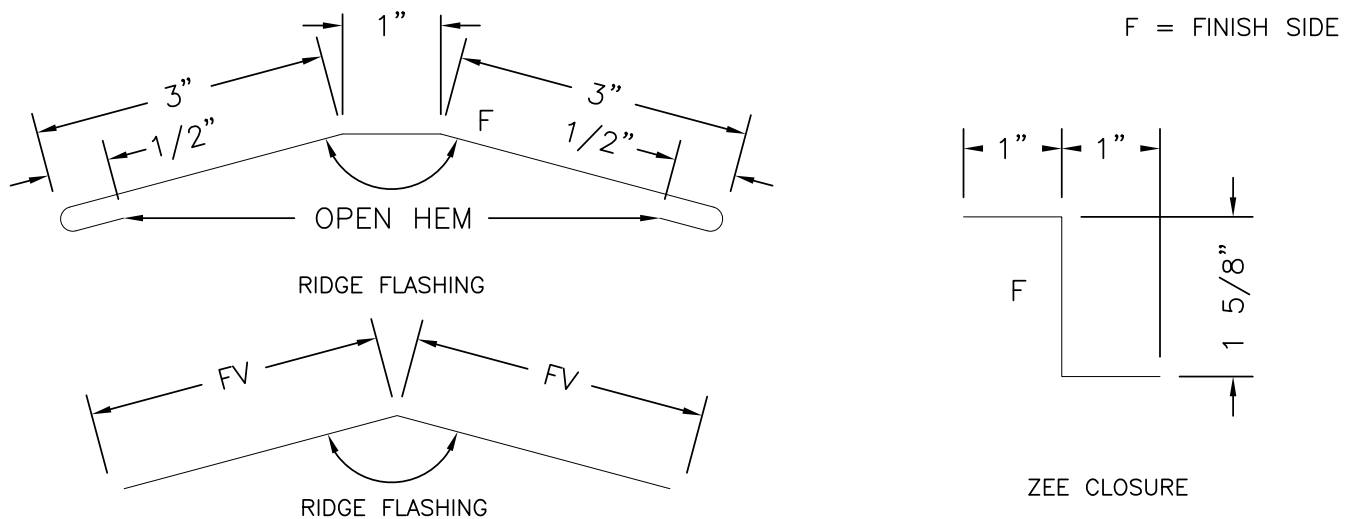
DATE: 04-03-15

PAGE\FILE

ST-20



1. FIELD CUT ZEE CLOSURE TO FIT BETWEEN PANEL RIBS.
2. ALL CAULKING AND FASTENERS ARE ITEMS TO BE FURNISHED AND INSTALLED BY THE ROOFING INSTALLER AT THE DISCRETION OF THE ARCHITECT.



Berridge
Manufacturing
Company

Roofs of Distinction

RIDGE/HIP DETAIL

SPANISH TILE

DATE: 04-03-15

PAGE\FILE

ST-21

BERRIDGE SPANISH TILE (RIDGE CAP)
 SNAP LOCK ONTO RIDGE END CLOSURE

CONTINUOUS BEAD OF CAULK

RIDGE END CLOSURE
 FIELD FABRICATE

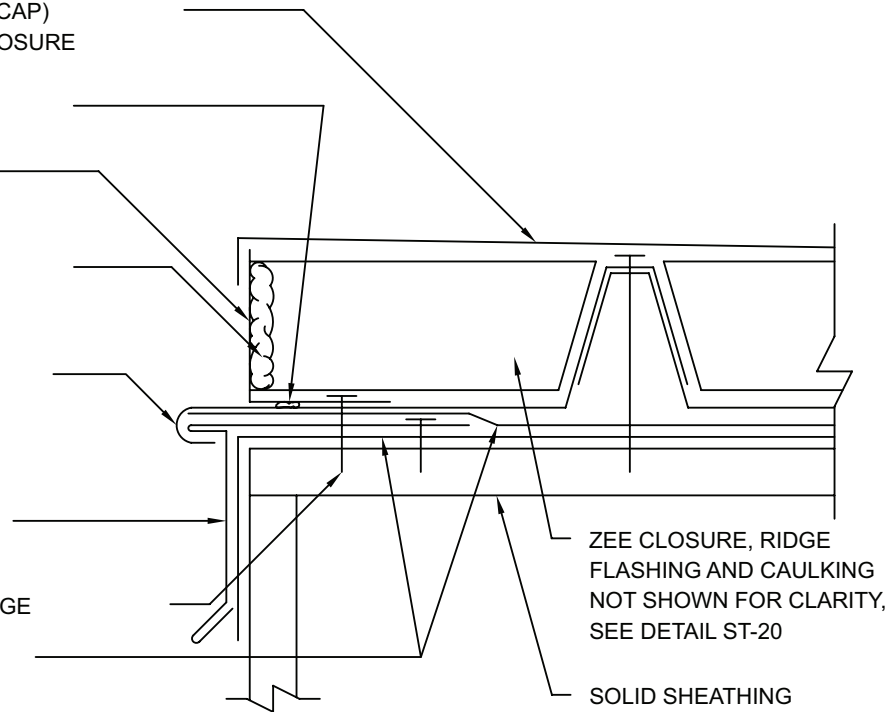
CONTINUOUS BEAD OF CAULK
 BETWEEN RIDGE END CLOSURE
 AND ZEE CLOSURE

FIELD CUT LAST PANEL AND
 FORM AROUND DRIP FLASHING.
 PANEL TO BE CONTINUOUS
 FROM RIDGE TO EAVE

DRIP FLASHING AT GABLE
 SEE DETAIL ST-30

FASTENERS; 2 EACH SIDE OF RIDGE

30 FELT UNDERLAYMENT

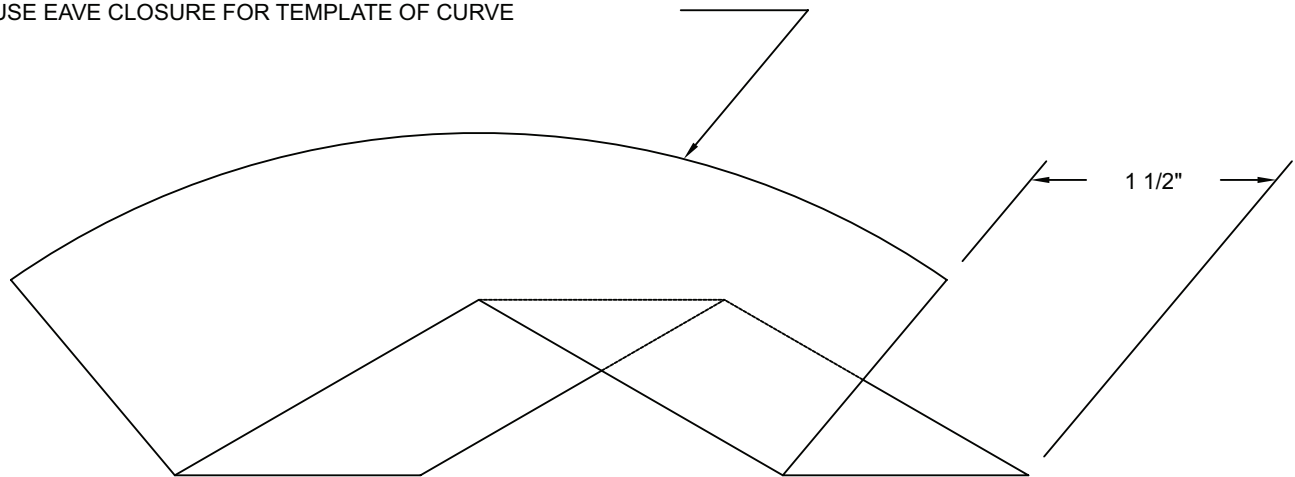


1. FIELD FABRICATE RIDGE END CLOSURE SEE BELOW.

2. IF SOLID SHEATHING (BY OTHERS) IS USED SHEATHING MUST BE A MINIMUM 1/2"
 PLYWOOD OR EQUIVALENT IN STRENGTH FOR HOLDING POWER OF FASTENERS.

3. ALL FELT UNDERLAYMENT, CAULKING AND FASTENERS ARE ITEMS TO BE FURNISHED
 AND INSTALLED BY THE ROOFING INSTALLER AT THE DISCRETION OF THE ARCHITECT.

USE EAVE CLOSURE FOR TEMPLATE OF CURVE



FIELD FABRICATED RIDGE END CLOSURE



BERRIDGE
MANUFACTURING
COMPANY

Roofs of Distinction

GABLE AT RIDGE

Spanish Tile

DATE: 11-01-98

PAGE/FILE

ST-22

BERRIDGE SPANISH TILE
FASTEN TO RIDGE CAP

BERRIDGE DEEP VEE PANEL

FASTENER AT PANEL RIB
20" O.C. MAX.

BERRIDGE SPANISH TILE

ZEE CLOSURE; FIELD CUT
TO FIT BETWEEN
PANEL RIBS

30 FELT
UNDERLAYMENT

SOLID SHEATHING

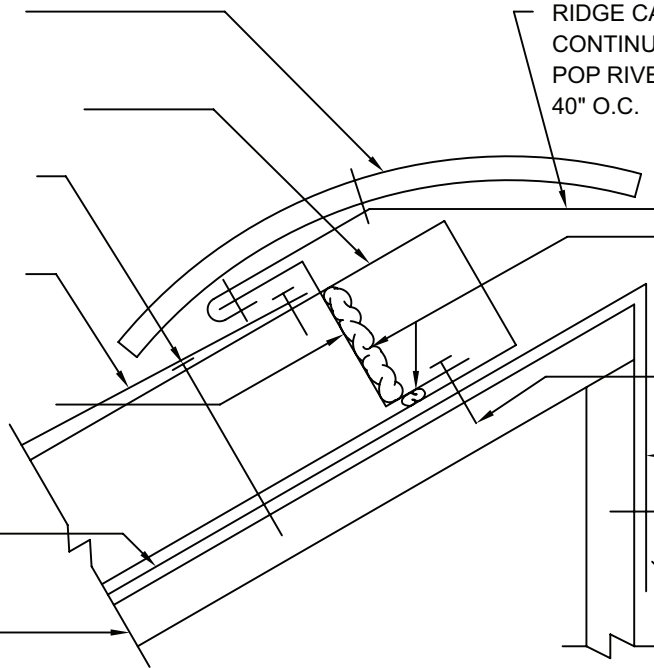
RIDGE CAP; 4" END LAPS WITH
CONTINUOUS CAULK AT LAPS,
POP RIVET TO ZEE CLOSURE
40" O.C.

CONTINUOUS BEAD OF
CAULK BETWEEN ZEE
CLOSURE AND DEEP
VEE PANEL

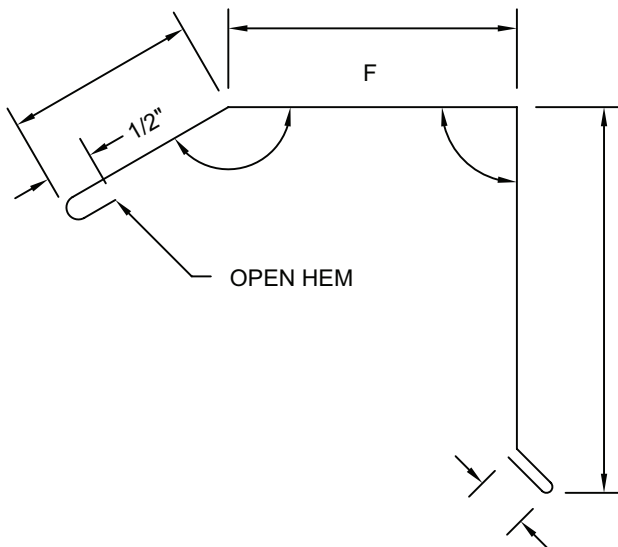
FASTENERS; MIN. 2
PER ZEE CLOSURE

LAP FELT OVER RIDGE

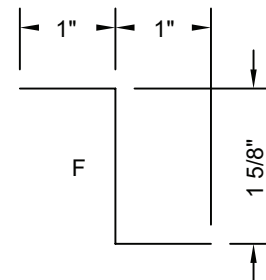
FASTENERS;
40" O.C. MAX.



1. FIELD CUT ZEE CLOSURE TO FIT BETWEEN RIBS OF DEEP VEE PANEL.
2. IF SOLID SHEATHING (BY OTHERS) IS USED SHEATHING MUST BE MINIMUM 1/2" PLYWOOD OR EQUIVALENT IN STRENGTH FOR HOLDING POWER OF FASTENERS.
3. ALL FELT UNDERLAYMENT, CAULKING AND FASTENERS ARE ITEMS TO BE FURNISHED AND INSTALLED BY THE ROOFING INSTALLER AT THE DISCRETION OF THE ARCHITECT.



RIDGE CAP



ZEE CLOSURE



BERRIDGE
MANUFACTURING
COMPANY

SHED ROOF RIDGE CAP DETAIL

Spanish Tile

DATE: 11-01-98

PAGE/FILE

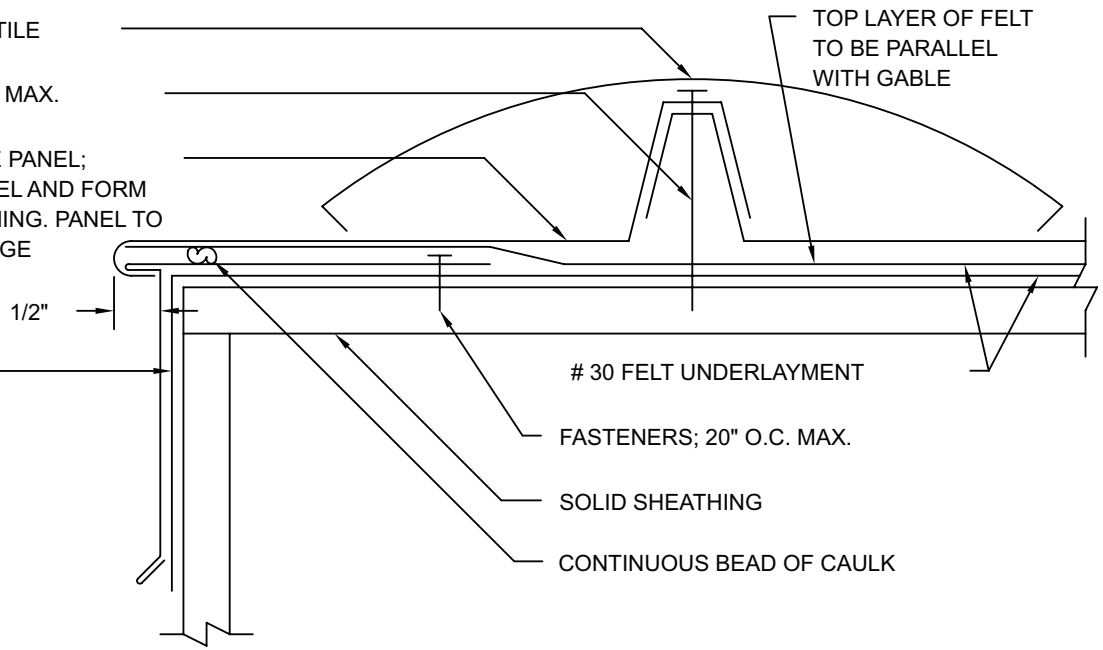
ST-23

BERRIDGE SPANISH TILE

FASTENERS; 20" O.C. MAX.

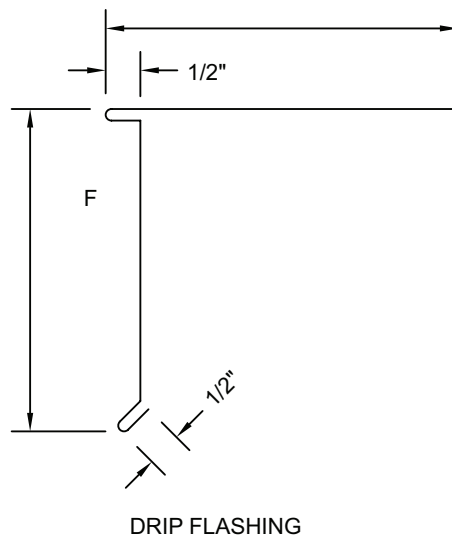
BERRIDGE DEEP VEE PANEL;
FIELD CUT LAST PANEL AND FORM
AROUND DRIP FLASHING. PANEL TO
BE CONTINUOUS RIDGE
TO EAVE

DRIP FLASHING;
4" END LAPS WITH
CONTINUOUS CAULK
AT LAPS



1. LAST DEEP VEE PANEL IN RUN TO BE FIELD CUT AND FORMED AROUND DRIP FLASHING. PANEL MUST BE CONTINUOUS RIDGE TO EAVE.
2. IF SOLID SHEATHING (BY OTHERS) IS USED SHEATHING MUST BE MINIMUM 1/2" PLYWOOD OR EQUIVALENT IN STRENGTH FOR HOLDING POWER OF FASTENERS.
3. ALL FELT UNDERLAYMENT, CAULKING AND FASTENERS ARE ITEMS TO BE FURNISHED AND INSTALLED BY THE ROOFING INSTALLER AT THE DISCRETION OF THE ARCHITECT.

F = FINISH SIDE



**BERRIDGE
MANUFACTURING
COMPANY**

GABLE DETAIL

Spanish Tile

DATE: 11-01-98

PAGE/FILE
ST-30

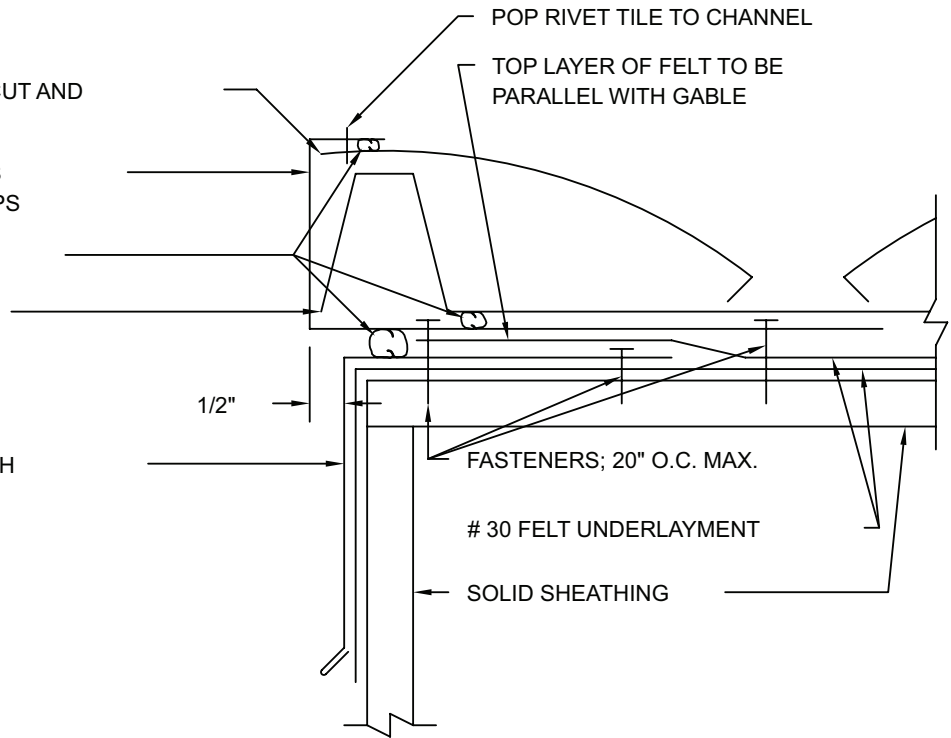
BERRIDGE SPANISH TILE; FIELD CUT AND FASTEN TO PANEL RIB

CHANNEL CLOSURE; 4" END LAPS WITH CONTINUOUS CAULK AT LAPS

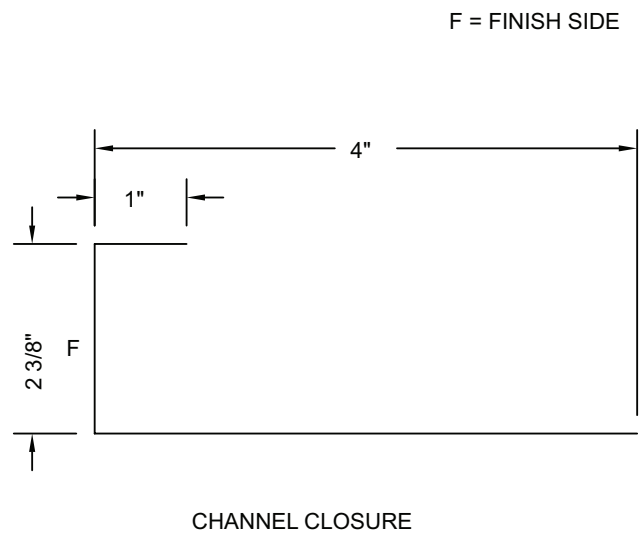
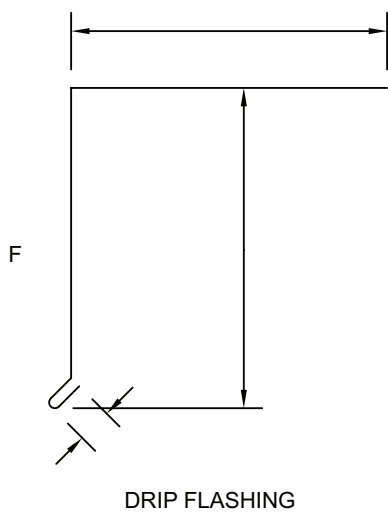
CONTINUOUS BEAD OF CAULK

START FIRST PANEL HERE

DRIP FLASHING; 4" END LAPS WITH CONTINUOUS CAULK AT LAPS



1. FIELD CUT SPANISH TILE AS REQUIRED.
2. IF SOLID SHEATHING (BY OTHERS) IS USED SHEATHING MUST BE MINIMUM 1/2" PLYWOOD OR EQUIVALENT IN STRENGTH FOR HOLDING POWER OF FASTENERS.
3. ALL FELT UNDERLAYMENT, CAULKING AND FASTENERS ARE ITEMS TO BE FURNISHED AND INSTALLED BY THE ROOFING INSTALLER AT THE DISCRETION OF THE ARCHITECT.



**BERRIDGE
MANUFACTURING
COMPANY**

Roofs of Distinction

GABLE DETAIL

Spanish Tile

DATE: 11-01-98

PAGE/FILE

ST-31

BERRIDGE SPANISH TILE

FASTENERS; 20" O.C. MAX.

BERRIDGE DEEP VEE PANEL;
FIELD CUT LAST PANEL AND FORM
AROUND DRIP FLASHING. PANEL TO
BE CONTINUOUS RIDGE
TO EAVE

DRIP FLASHING;
4" END LAPS WITH
CONTINUOUS CAULK
AT LAPS

BERRIDGE
FASCIA / SIDING

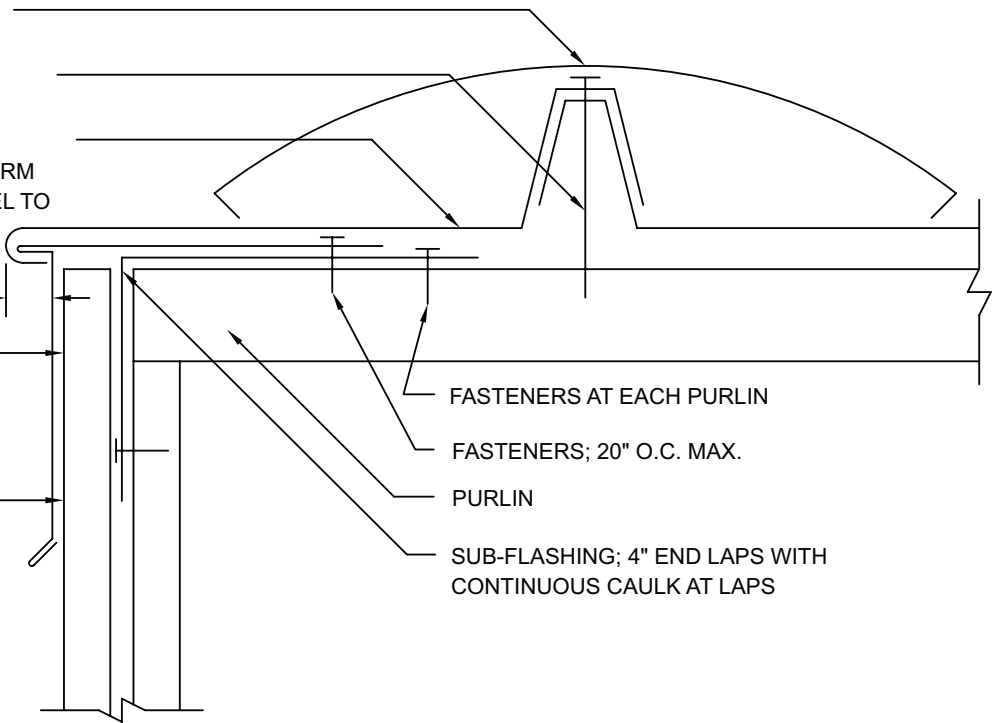
1/2"

FASTENERS AT EACH PURLIN

FASTENERS; 20" O.C. MAX.

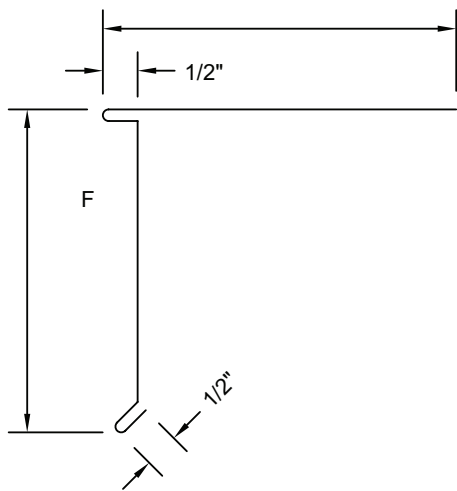
PURLIN

SUB-FLASHING; 4" END LAPS WITH
CONTINUOUS CAULK AT LAPS

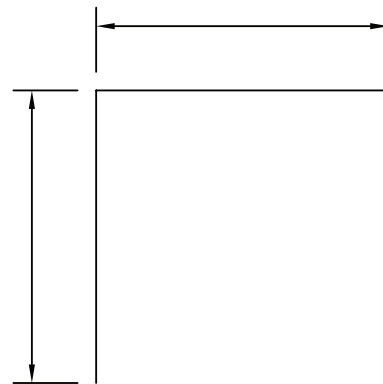


1. LAST DEEP VEE PANEL IN RUN TO BE FIELD CUT AND FORMED AROUND DRIP FLASHING. PANEL MUST BE CONTINUOUS RIDGE TO EAVE.

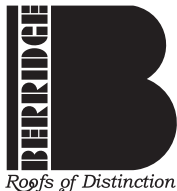
F = FINISH SIDE



DRIP FLASHING



SUB-FLASHING



**BERRIDGE
MANUFACTURING
COMPANY**

Roofs of Distinction

GABLE DETAIL

Spanish Tile

DATE: 11-01-98

PAGE/FILE
ST-32

FASTENERS AT LAPS AND STAGGERED
20" O.C. CAULK FASTENER HEADS

CAP FLASHING; 4" END LAPS WITH
CONTINUOUS CAULK AT LAPS, POP RIVET TO
COUNTER FLASHING 40" O.C. MAX.

FASTENERS; 20" O.C. MAX.

COUNTER FLASHING; 4" END LAPS WITH
CONTINUOUS CAULK AT LAPS, POP RIVET TO
ZEE CLOSURE 40" O.C. MAX.

ZEE CLOSURE CUT TO FIT
BETWEEN PANEL RIBS

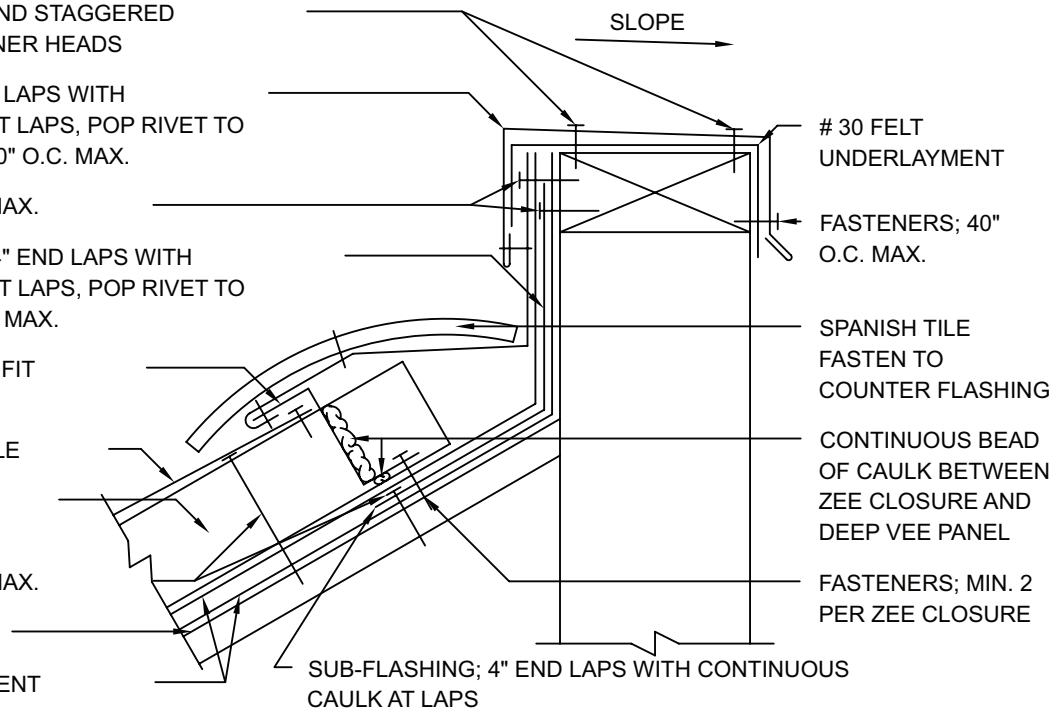
BERRIDGE SPANISH TILE

BERRIDGE DEEP VEE
PANEL

FASTENERS; 20" O.C. MAX.

SOLID SHEATHING

30 FELT UNDERLAYMENT

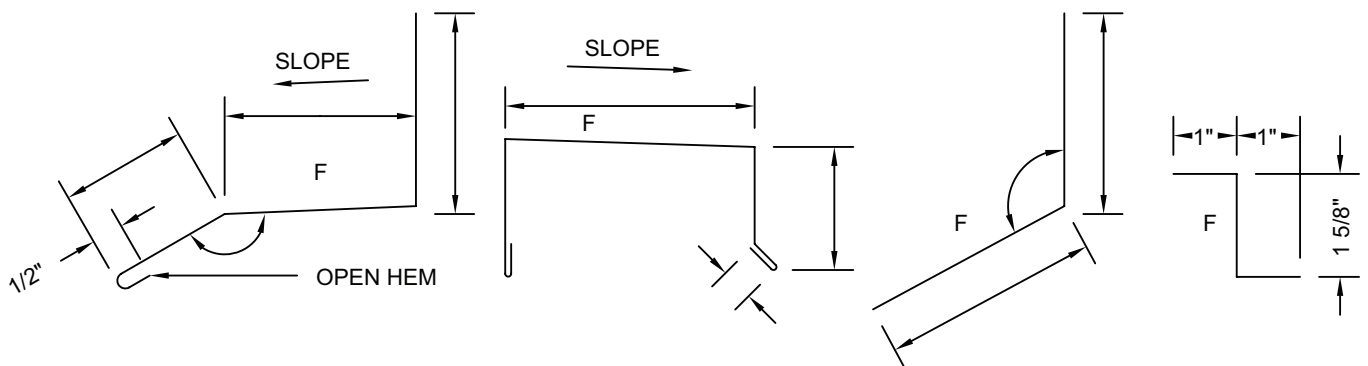


1. FIELD CUT ZEE CLOSURE TO FIT BETWEEN RIBS OF DEEP VEE PANEL.

2. IF SOLID SHEATHING (BY OTHERS) IS USED SHEATHING MUST BE MINIMUM 1/2"
PLYWOOD OR EQUIVALENT IN STRENGTH FOR HOLDING POWER OF FASTENERS.

3. ALL FELT UNDERLAYMENT, CAULKING AND FASTENERS ARE ITEMS TO BE FURNISHED
AND INSTALLED BY THE ROOFING INSTALLER AT THE DISCRETION OF THE ARCHITECT.

F = FINISH SIDE



COUNTER FLASHING

CAP FLASHING

SUB-FLASHING

ZEE CLOSURE



**BERRIDGE
MANUFACTURING
COMPANY**

Roofs of Distinction

PARAPET DETAIL

Spanish Tile

DATE: 11-01-98

PAGE/FILE
ST-40

BERRIDGE SPANISH TILE FASTEN TO
COUNTER FLASHING

COUNTER FLASHING; 4" END LAPS
WITH CONTINUOUS CAULK AT LAPS,
POP RIVET TO ZEE CLOSURE 40" O.C.

BERRIDGE DEEP VEE PANEL

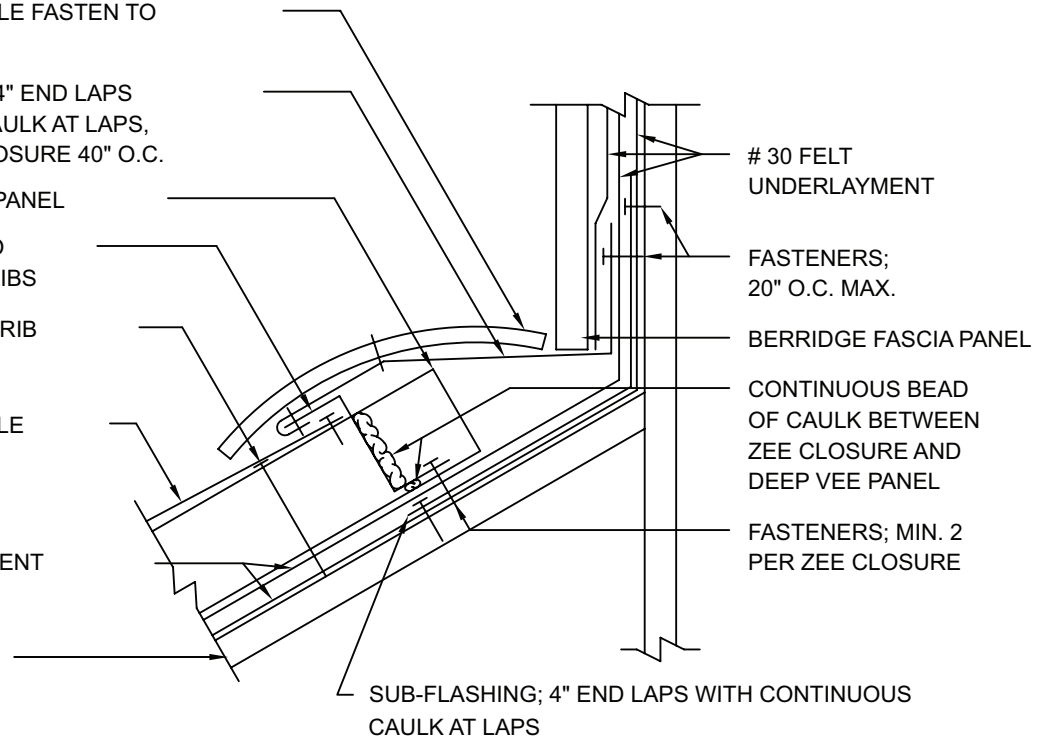
ZEE CLOSURE; CUT TO
FIT BETWEEN PANEL RIBS

FASTENERS AT PANEL RIB
20" O.C. MAX.

BERRIDGE SPANISH TILE

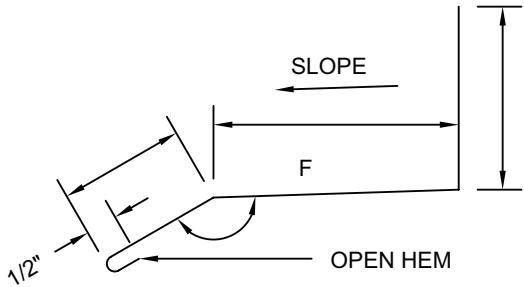
30 FELT UNDERLAYMENT

SOLID SHEATHING

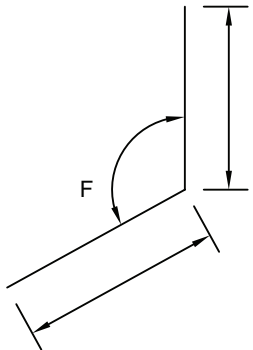


1. FIELD CUT ZEE CLOSURE TO FIT BETWEEN RIBS OF DEEP VEE PANEL.
2. IF SOLID SHEATHING (BY OTHERS) IS USED SHEATHING MUST BE MINIMUM 1/2" PLYWOOD OR EQUIVALENT IN STRENGTH FOR HOLDING POWER OF FASTENERS.
3. ALL FELT UNDERLAYMENT, CAULKING AND FASTENERS ARE ITEMS TO BE FURNISHED AND INSTALLED BY THE ROOFING INSTALLER AT THE DISCRETION OF THE ARCHITECT.

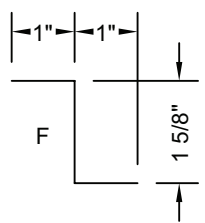
F = FINISH SIDE



COUNTER FLASHING



SUB-FLASHING



ZEE CLOSURE

BERRIDGE
B
BERRIDGE
MANUFACTURING
COMPANY
Roofs of Distinction

HEAD WALL DETAIL

Spanish Tile

DATE: 11-01-98

PAGE/FILE
ST-50

BERRIDGE FASCIA PANEL

FASTENERS; 20" O.C. MAX.

30 FELT UNDERLAYMENT

COUNTER FLASHING; 4" END LAPS WITH CONTINUOUS CAULK AT LAPS

BERRIDGE DEEP VEE PANEL, FIELD CUT AND FORM FLASHING LEG
PANEL CONTINUOUS RIDGE TO EAVE

FASTENER AT PANEL
RIB 20" O.C. MAX.

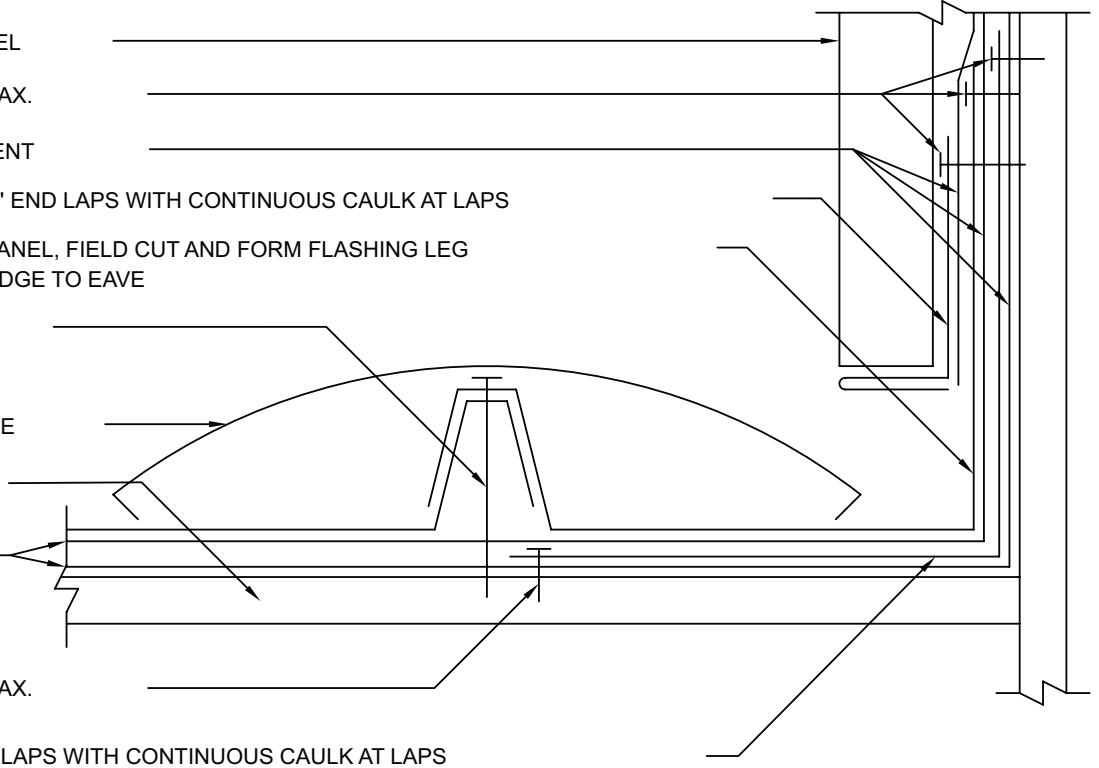
BERRIDGE SPANISH TILE

SOLID SHEATHING

30 FELT
UNDERLAYMENT

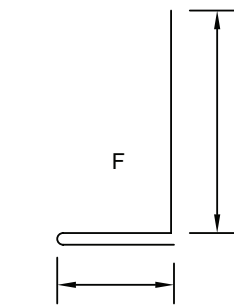
FASTENERS; 20" O.C. MAX.

SUB-FLASHING; 4" END LAPS WITH CONTINUOUS CAULK AT LAPS

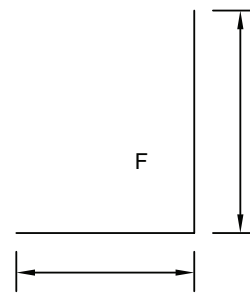


1. FIELD CUT AND FORM FLASHING LEG ON LAST PANEL IN RUN.
2. IF SOLID SHEATHING (BY OTHERS) IS USED SHEATHING MUST BE MINIMUM 1/2" PLYWOOD OR EQUIVALENT IN STRENGTH FOR HOLDING POWER OF FASTENERS.
3. ALL FELT UNDERLAYMENT, CAULKING AND FASTENERS ARE ITEMS TO BE FURNISHED AND INSTALLED BY THE ROOFING INSTALLER AT THE DISCRETION OF THE ARCHITECT.

F = FINISH SIDE



COUNTER FLASHING



SUB-FLASHING



**BERRIDGE
MANUFACTURING
COMPANY**

Roofs of Distinction

RAKE WALL DETAIL

Spanish Tile

DATE: 11-01-98

PAGE/FILE
ST-51

REGLET FLASHING; 4" END LAPS WITH CONTINUOUS CAULK AT LAPS

BERRIDGE SPANISH TILE FASTEN TO COUNTER FLASHING

COUNTER FLASHING; 4" END LAPS WITH CONTINUOUS CAULK AT LAPS, POP RIVET TO ZEE CLOSURE 40" O.C.

BERRIDGE DEEP VEE PANEL

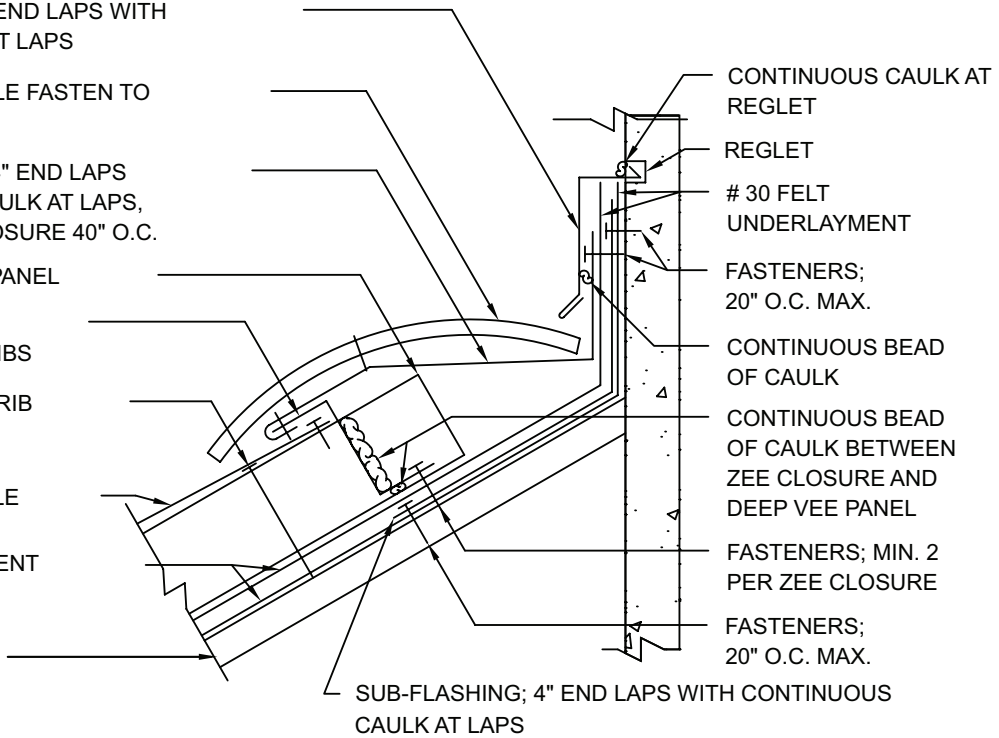
ZEE CLOSURE; CUT TO FIT BETWEEN PANEL RIBS

FASTENERS AT PANEL RIB 20" O.C. MAX.

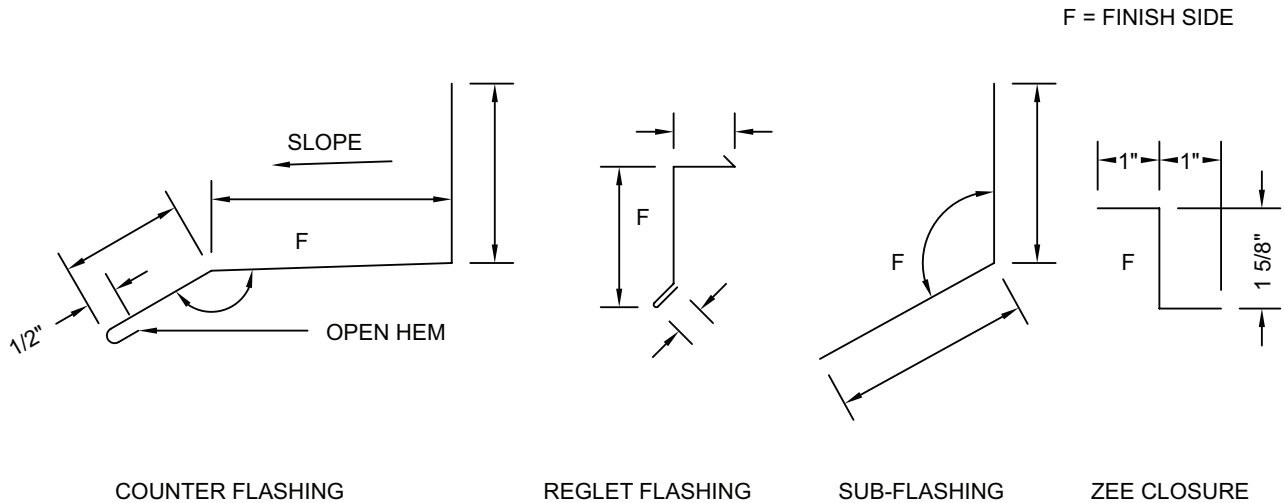
BERRIDGE SPANISH TILE

30 FELT UNDERLAYMENT

SOLID SHEATHING



1. FIELD CUT ZEE CLOSURE TO FIT BETWEEN RIBS OF DEEP VEE PANEL.
2. IF SOLID SHEATHING (BY OTHERS) IS USED SHEATHING MUST BE MINIMUM 1/2" PLYWOOD OR EQUIVALENT IN STRENGTH FOR HOLDING POWER OF FASTENERS.
3. ALL FELT UNDERLAYMENT, CAULKING AND FASTENERS ARE ITEMS TO BE FURNISHED AND INSTALLED BY THE ROOFING INSTALLER AT THE DISCRETION OF THE ARCHITECT.



**BERRIDGE
MANUFACTURING
COMPANY**

Roofs of Distinction

HEAD WALL DETAIL

Spanish Tile

DATE: 11-01-98

PAGE/FILE
ST-52

CONTINUOUS BEAD OF CAULK AT REGLET

FASTENERS; 20" O.C. MAX.

30 FELT UNDERLAYMENT

CONTINUOUS BEAD OF CAULK

REGLET FLASHING; 4" END LAPS WITH CONTINUOUS CAULK AT LAPS

BERRIDGE DEEP VEE PANEL, FIELD CUT AND FORM FLASHING LEG
PANEL CONTINUOUS RIDGE TO EAVE

FASTENER AT PANEL
RIB 20" O.C. MAX.

BERRIDGE SPANISH TILE

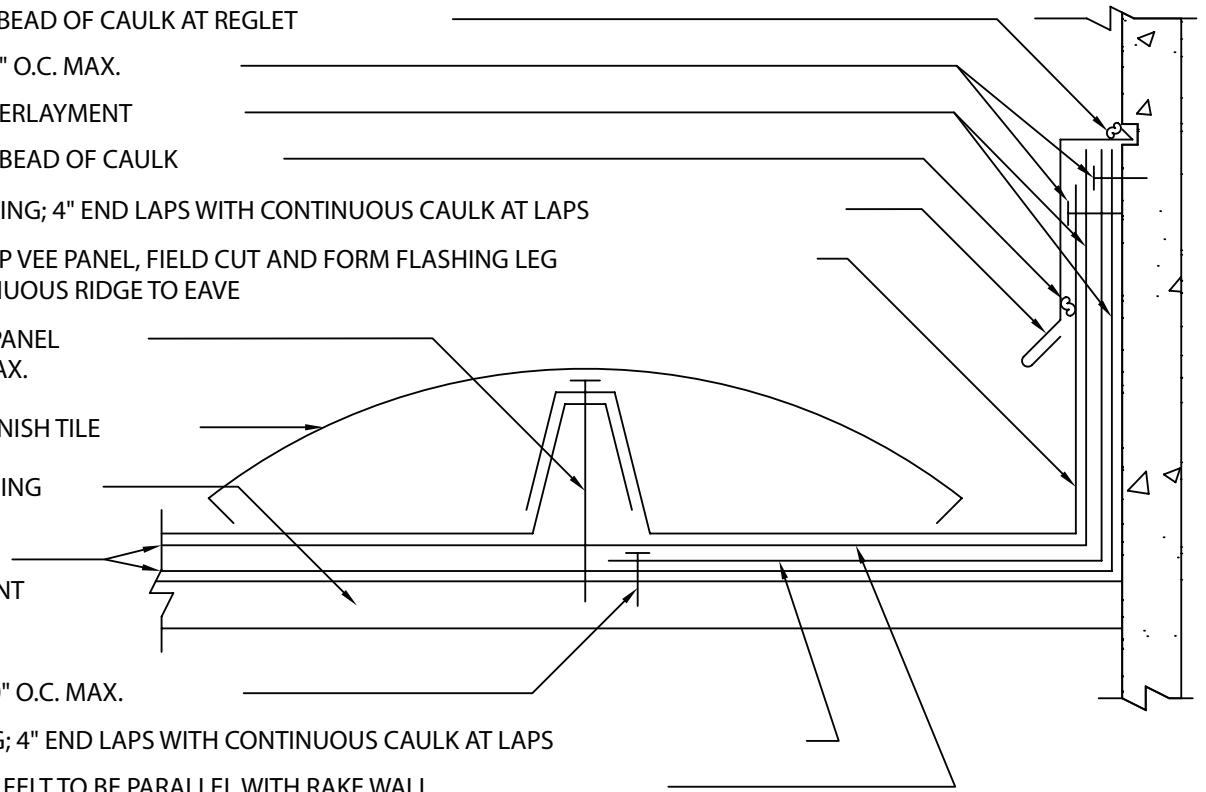
SOLID SHEATHING

30 FELT
UNDERLAYMENT

FASTENERS; 20" O.C. MAX.

SUB-FLASHING; 4" END LAPS WITH CONTINUOUS CAULK AT LAPS

TOP LAYER OF FELT TO BE PARALLEL WITH RAKE WALL

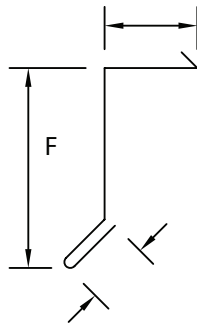


1. FIELD CUT AND FORM FLASHING LEG ON LAST PANEL IN RUN.

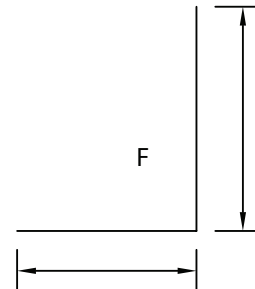
2. IF SOLID SHEATHING (BY OTHERS) IS USED SHEATHING MUST BE MINIMUM 1/2" PLYWOOD OR EQUIVALENT IN STRENGTH FOR HOLDING POWER OF FASTENERS.

3. ALL FELT UNDERLAYMENT, CAULKING AND FASTENERS ARE ITEMS TO BE FURNISHED AND INSTALLED BY THE ROOFING INSTALLER AT THE DISCRETION OF THE ARCHITECT.

F = FINISH SIDE



REGLET FLASHING



SUB-FLASHING



**BERRIDGE
MANUFACTURING
COMPANY**

Roofs of Distinction

RAKE WALL DETAIL

Spanish Tile

DATE: 11-01-98

PAGE/FILE
ST-53

BERRIDGE SPANISH TILE

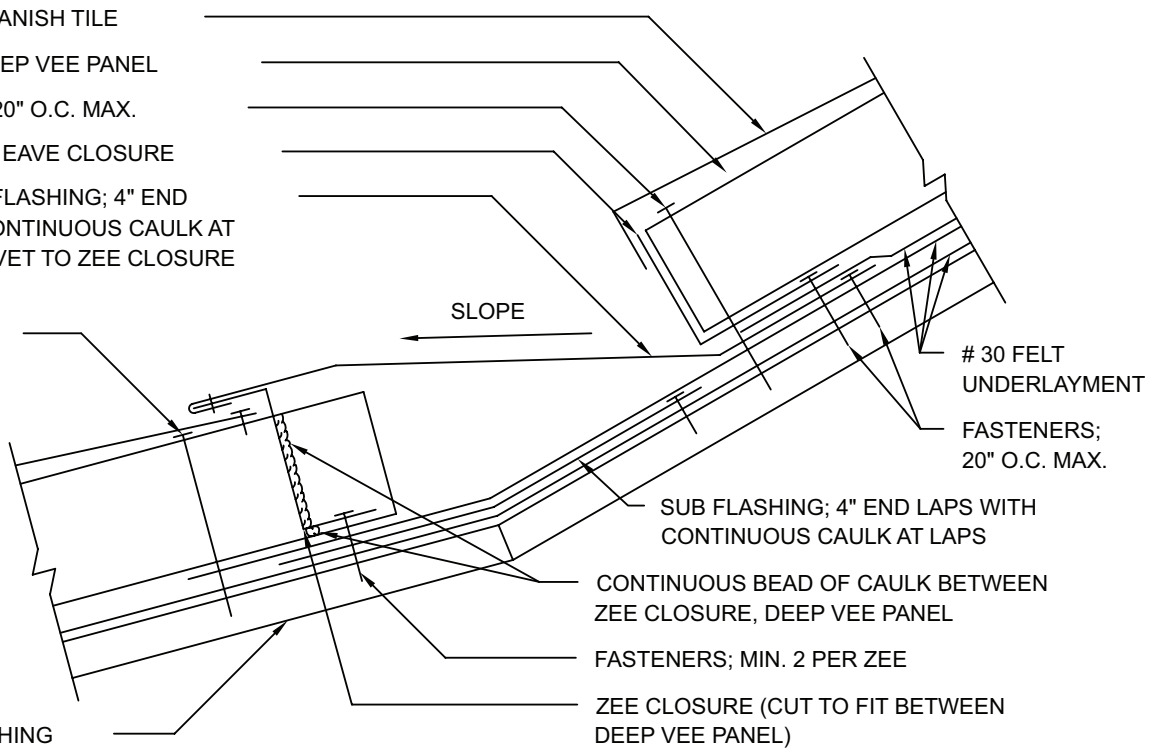
BERRIDGE DEEP VEE PANEL

FASTENERS; 20" O.C. MAX.

SPANISH TILE EAVE CLOSURE

TRANSITION FLASHING; 4" END LAPS WITH CONTINUOUS CAULK AT LAPS, POP-RIVET TO ZEE CLOSURE 40" O.C. MAX.

FASTENERS; 20" O.C. MAX.

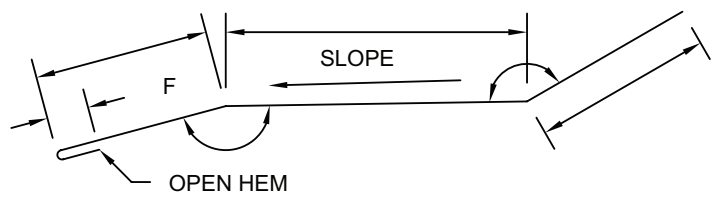


1. FIELD CUT ZEE CLOSURE TO FIT BETWEEN PANEL RIBS.

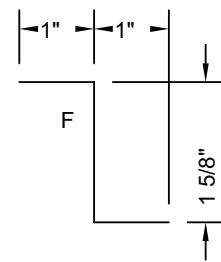
2. IF SOLID SHEATHING (BY OTHERS) IS USED, SHEATHING MUST BE MINIMUM 1/2" PLYWOOD OR EQUIVALENT IN STRENGTH FOR HOLDING POWER OF FASTENERS.

3. ALL FELT UNDERLAYMENT, CAULKING AND FASTENERS ARE ITEMS TO BE FURNISHED AND INSTALLED BY THE ROOFING INSTALLER AT THE DISCRETION OF THE ARCHITECT.

F = FINISH SIDE



TRANSITION FLASHING



ZEE CLOSURE



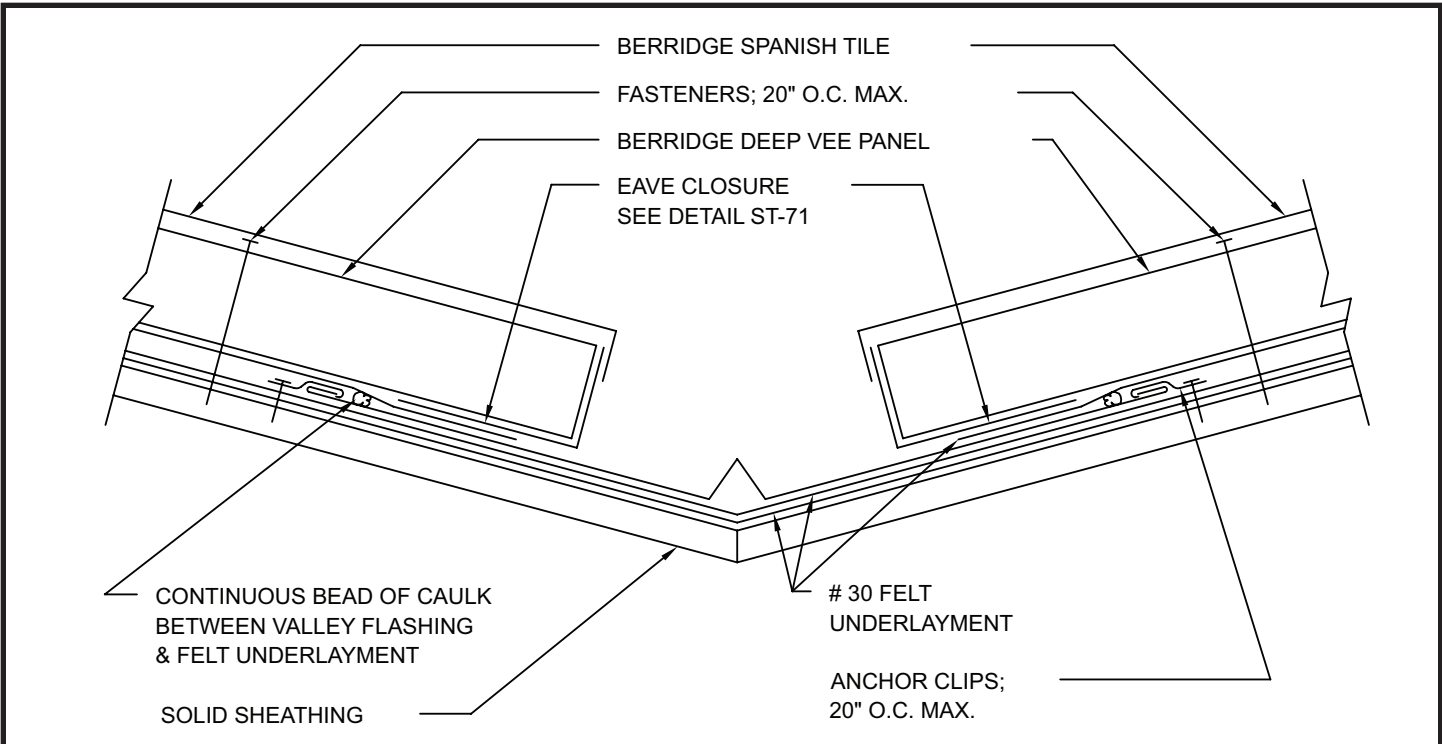
BERRIDGE
MANUFACTURING
COMPANY

SLOPE TRANSITION DETAIL

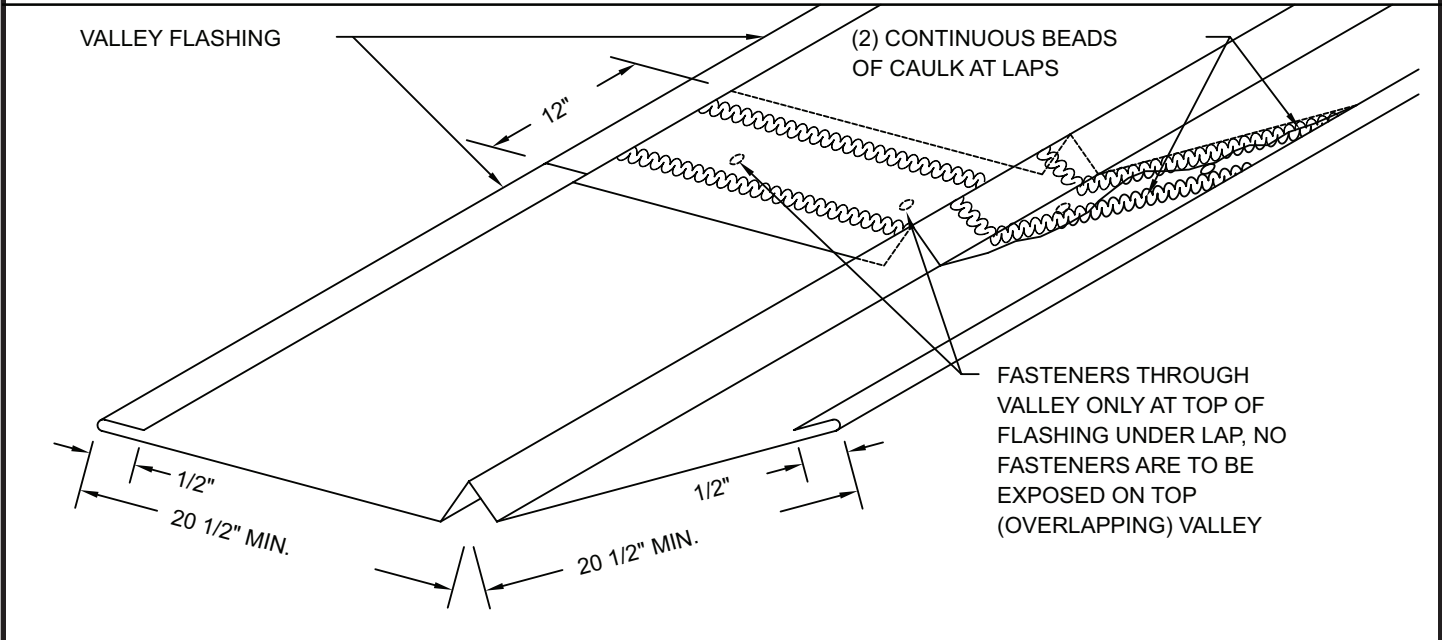
Spanish Tile

DATE: 11-01-98

PAGE/FILE
ST-60



1. SOLID SHEATHING IS REQUIRED AT THIS CONDITION, WHEN SPANISH TILE IS USED OVER OPEN FRAMING SEE DETAIL ST-72.
2. SOLID SHEATHING (BY OTHERS) TO BE MINIMUM 1/2" PLYWOOD OR EQUIVALENT IN STRENGTH FOR HOLDING POWER OF FASTENERS (METAL CORRUGATED SHEATHING MAY BE USED IN LIEU OF PLYWOOD).
3. ALL FELT UNDERLAYMENT, CAULKING AND FASTENERS ARE ITEMS TO BE FURNISHED AND INSTALLED BY THE ROOFING INSTALLER AT THE DISCRETION OF THE ARCHITECT.



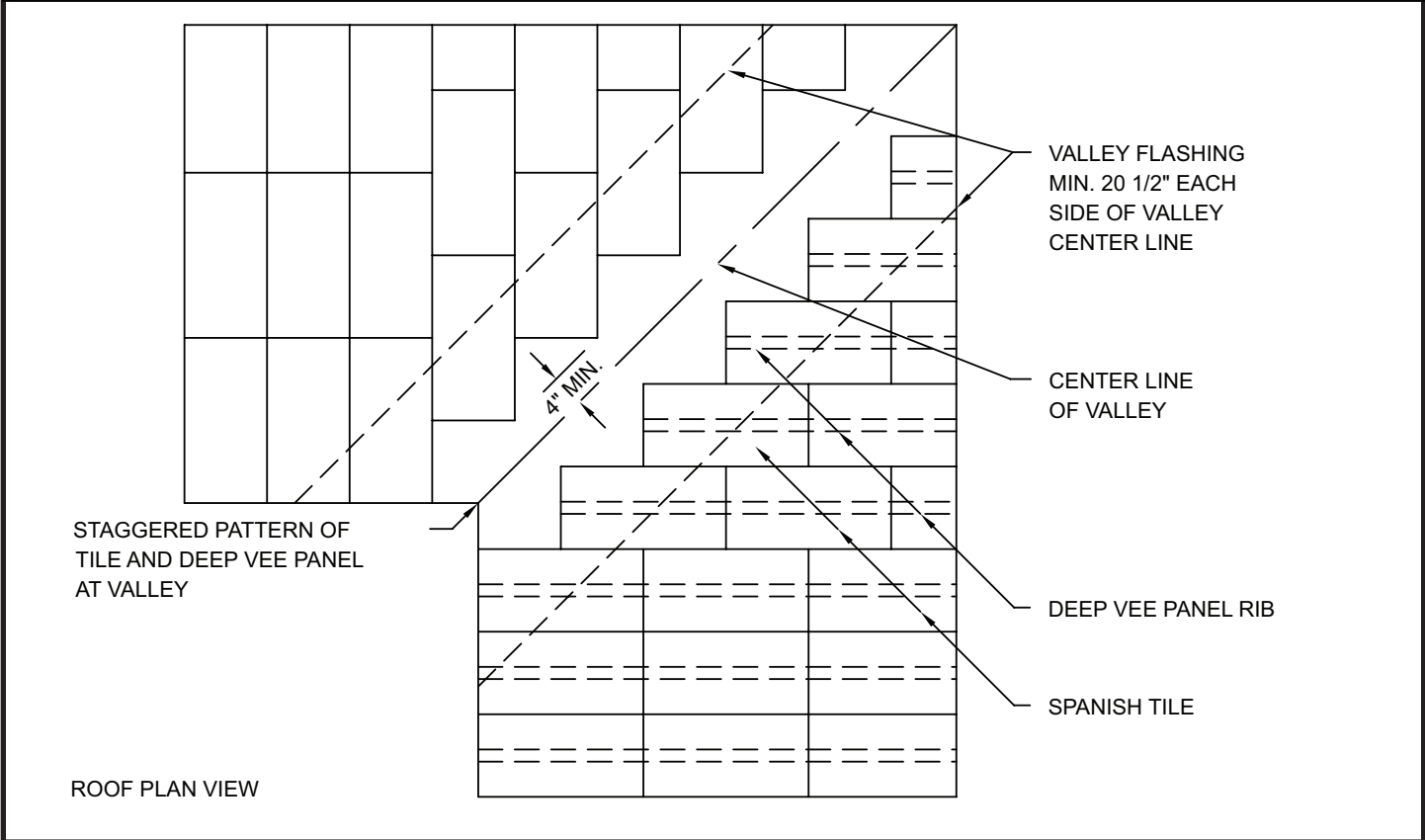
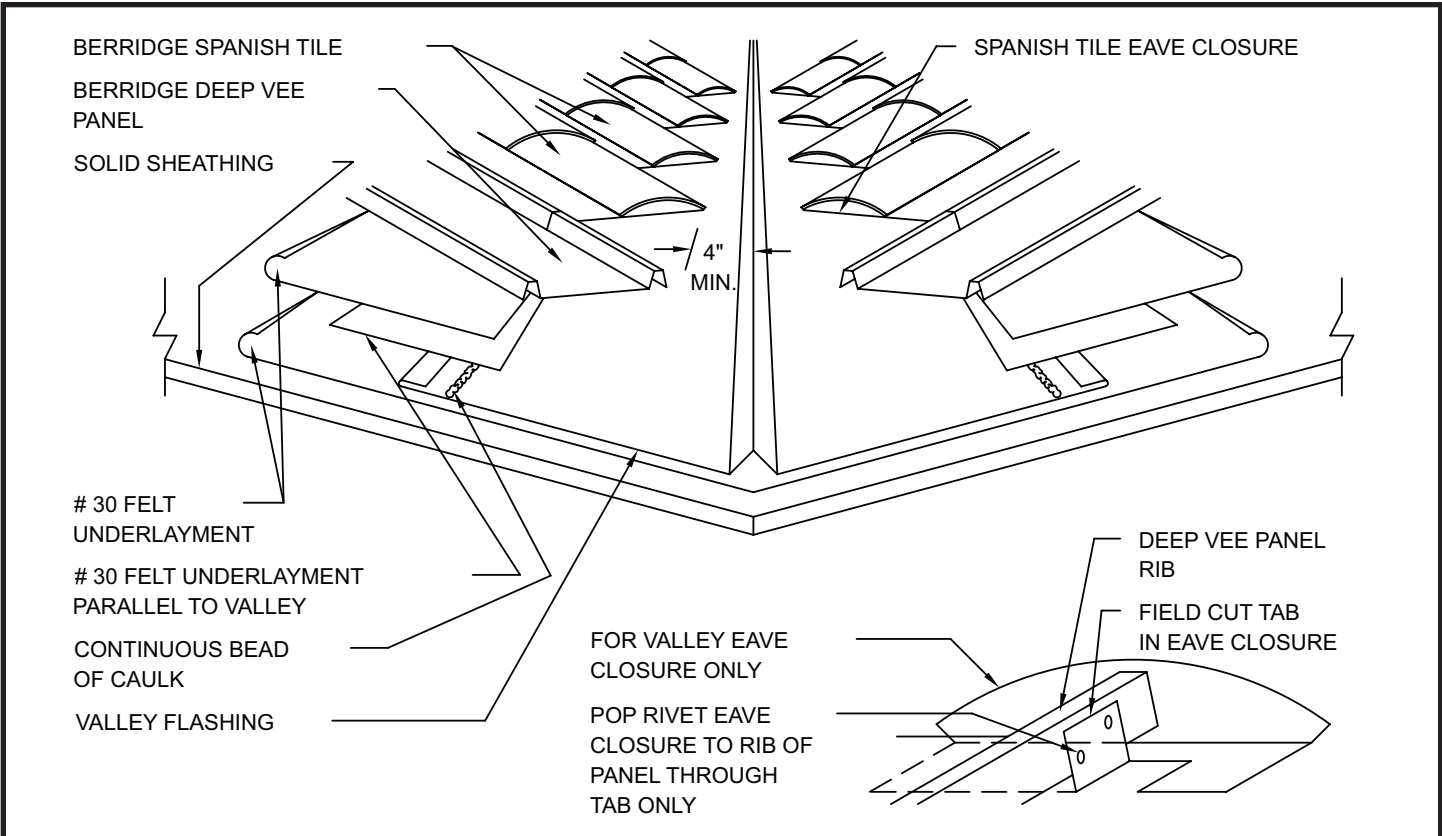
**BERRIDGE
MANUFACTURING
COMPANY**

VALLEY FLASHING DETAIL

Spanish Tile

DATE: 11-01-98

PAGE/FILE
ST-70



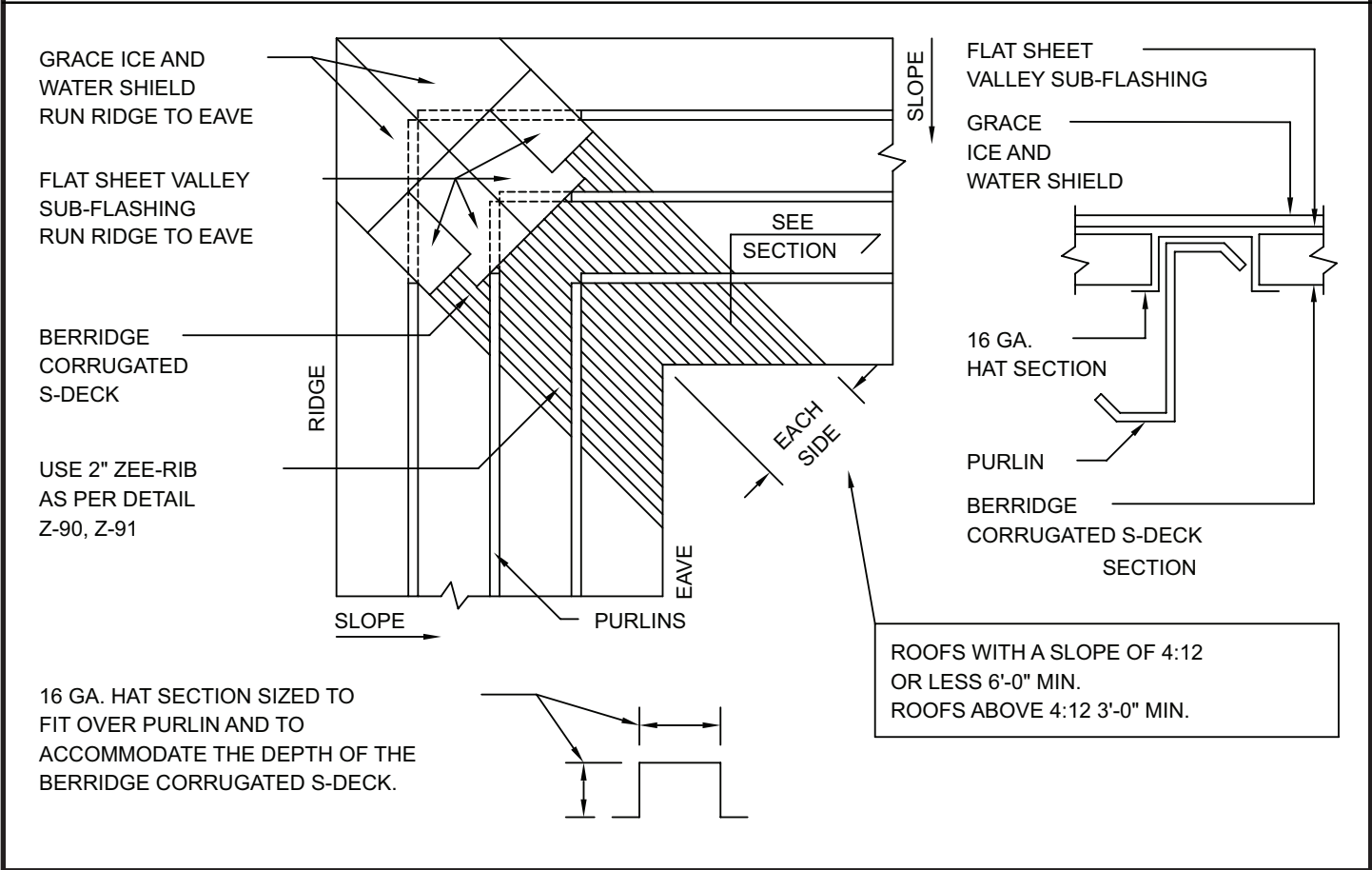
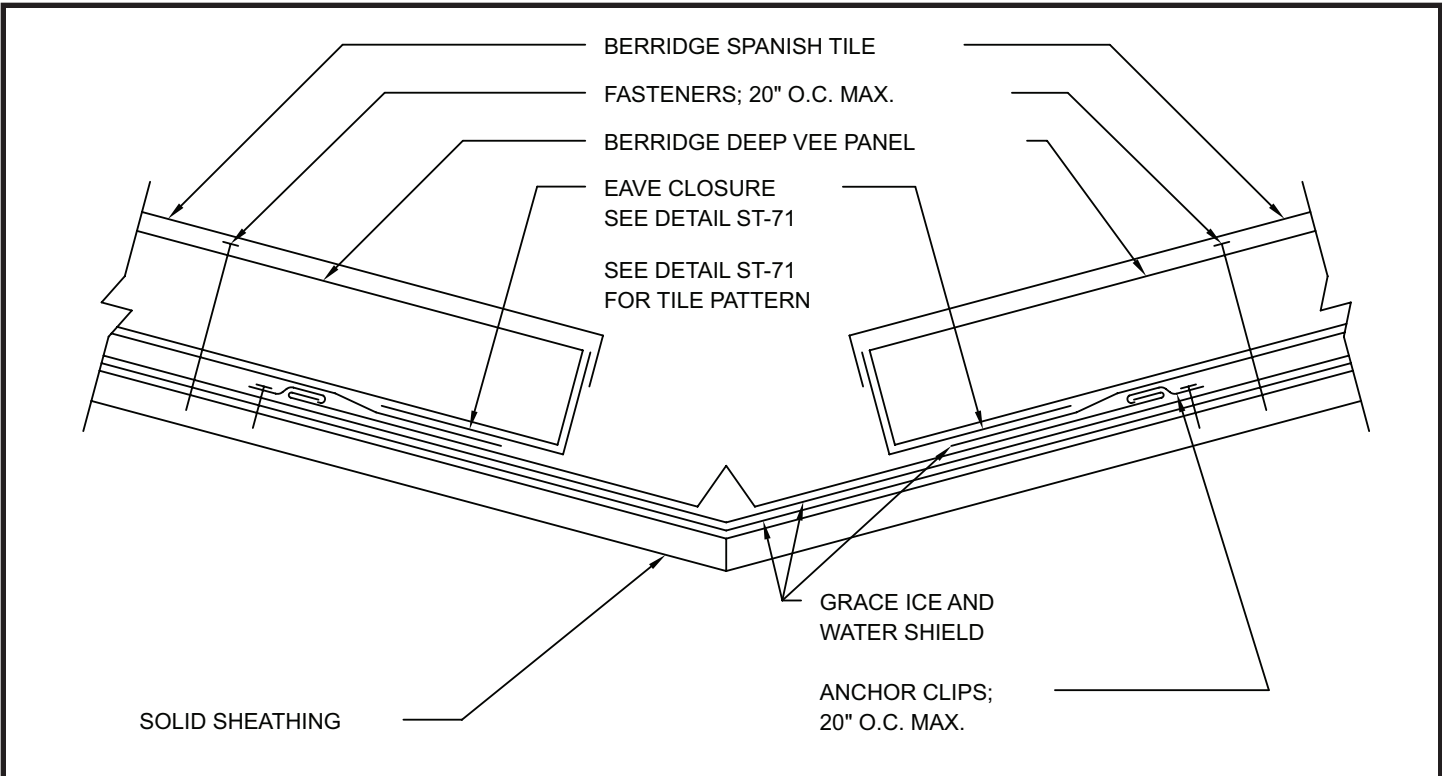
BERRIDGE
MANUFACTURING
COMPANY

VALLEY ISOMETRIC

Spanish Tile

DATE: 11-01-98

PAGE/FILE
 ST-71




BERRIDGE
MANUFACTURING
COMPANY
Roofs of Distinction

VALLEY DETAIL
OPEN FRAMING; 2" ZEE-RIB
Spanish Tile

DATE: 11-01-98
 PAGE/FILE
 ST-72

ROOF PIPE PENETRATION
OF 4" DIA. OR LESS

RUBBERIZED "BOOT"
FLASHING

PIPE PENETRATION TO
BE IN PAN OF PANEL ONLY

BERRIDGE SPANISH TILE

CONTINUOUS CAULK OR
STAINLESS STEEL HOSE
CLAMP

SET RUBBERIZED BOOT
INTO CONTINUOUS BEAD
OF CAULK. USE FASTENERS
AS SPECIFIED BY BOOT
MANUFACTURER. CAULK
FASTENER HEADS.

FIELD CUT TILE TO FIT
AROUND BOOT

BERRIDGE DEEP VEE PANEL

30 FELT UNDERLAYMENT

SOLID SHEATHING

CUT PANEL 1" SMALLER THAN
PENETRATION, BACK CUT TABS,
FOLD TABS UP AROUND
PENETRATION, AND CAULK.

1. CUT HOLE TO ALLOW FOR THERMAL MOVEMENT IF PANELS ARE 30'-0" OR LONGER.
2. IF PIPE IS MADE OF METAL, IT MUST BE PAINTED TO PREVENT RUST RUN-OFF FROM STAINING PANELS.
3. POSITION SQUARE BASED BOOTS IN A DIAMOND ORIENTATION WHERE POSSIBLE TO AID IN DIVERTING WATER.



**BERRIDGE
MANUFACTURING
COMPANY**

PIPE PENETRATION (PREFERRED METHOD)
IN PAN OF PANEL ONLY
OPEN FRAMING AND SOLID SUBSTRATE

DATE: 11-01-98

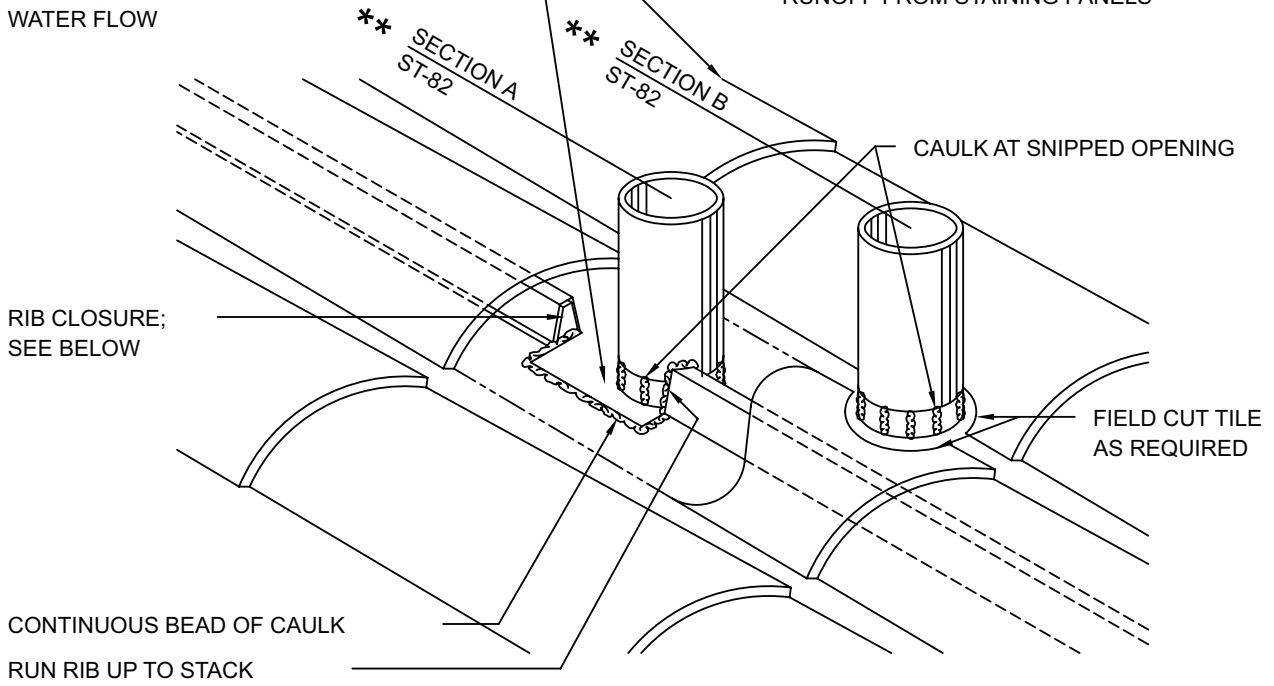
PAGE/FILE
ST-80

Spanish Tile

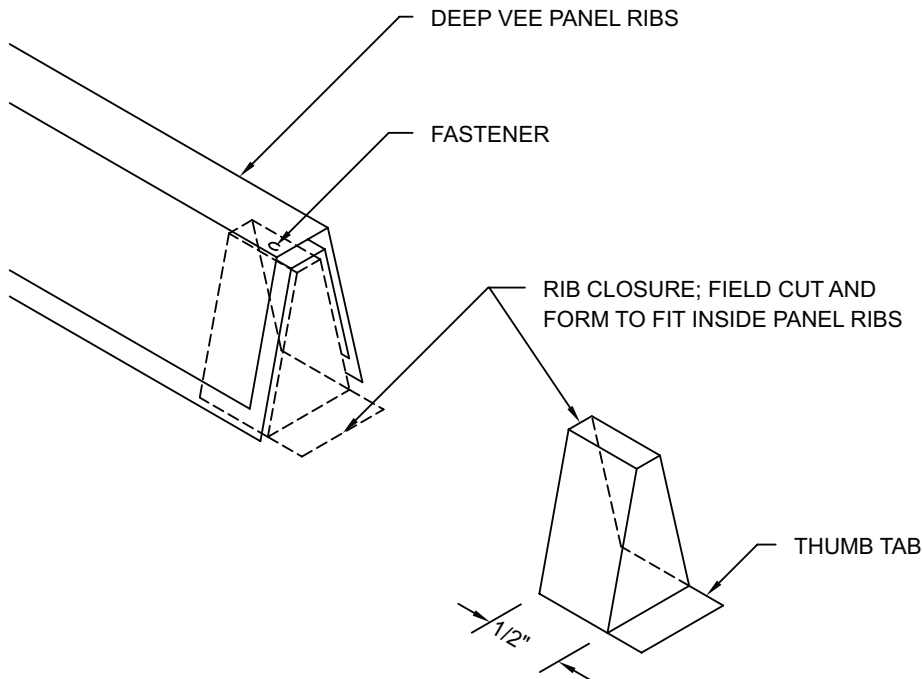
BERRIDGE SPANISH TILE SYSTEM

DEEP VEE PANEL; FIELD CUT RIBS
AND LAP, LAP IN DIRECTION OF
WATER FLOW

IF PIPE IS MADE OF METAL IT MUST
BE PAINTED TO PREVENT RUST
RUNOFF FROM STAINING PANELS



**** CALL BMC BEFORE USING THIS DETAIL**



**BERRIDGE
MANUFACTURING
COMPANY**

PIPE PENETRATION OF PANEL
SEAM ISOMETRIC VIEW
****CALL BMC BEFORE USING THIS DETAIL**

Spanish Tile

DATE: 11-01-98

PAGE/FILE
ST-81

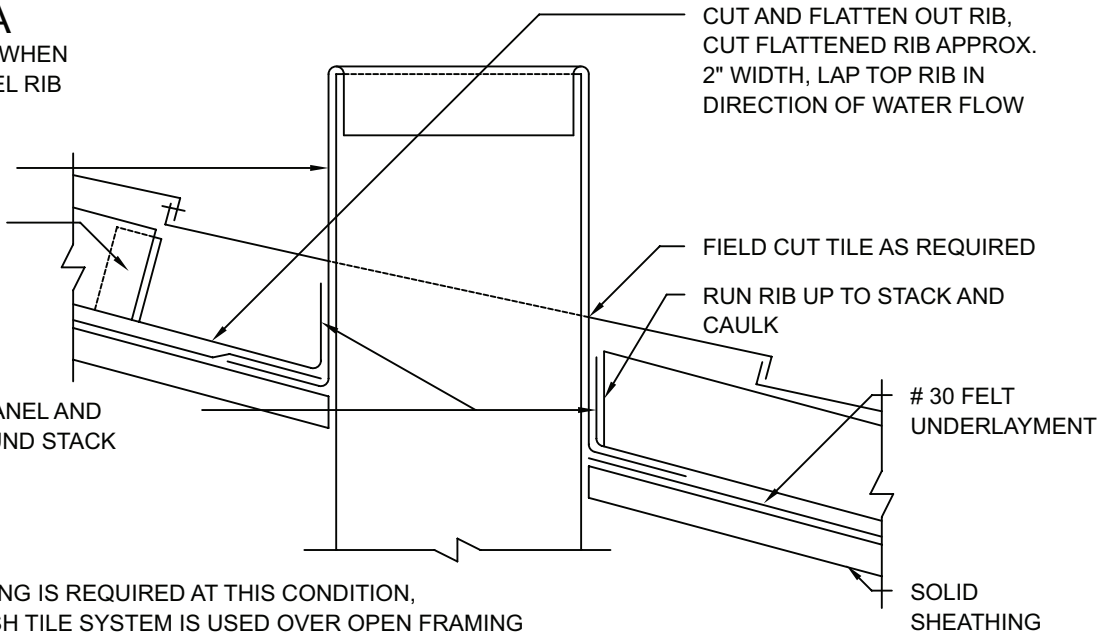
SECTION A

USE THIS DETAIL WHEN
STACK IS AT PANEL RIB

ROUND STACK

RIB CLOSURE
SEE DETAIL
ST-81

CUT DEEP VEE PANEL AND
BEND UP 1" AROUND STACK
AND CAULK



CUT AND FLATTEN OUT RIB,
CUT FLATTENED RIB APPROX.
2" WIDTH, LAP TOP RIB IN
DIRECTION OF WATER FLOW

FIELD CUT TILE AS REQUIRED

RUN RIB UP TO STACK AND
CAULK

30 FELT
UNDERLAYMENT

SOLID
SHEATHING

1. SOLID SHEATHING IS REQUIRED AT THIS CONDITION,
WHEN SPANISH TILE SYSTEM IS USED OVER OPEN FRAMING
(SEE DETAIL ST-87)

2. FIELD CUT RIB 2" BACK FROM STACK AT UPPER PANEL, MITER RIB AT LOWER PANEL
AND HOLE IN PANEL 1" LESS THAN DIA. OF STACK, BACK CUT HOLE AND BEND PANEL
UP AROUND STACK

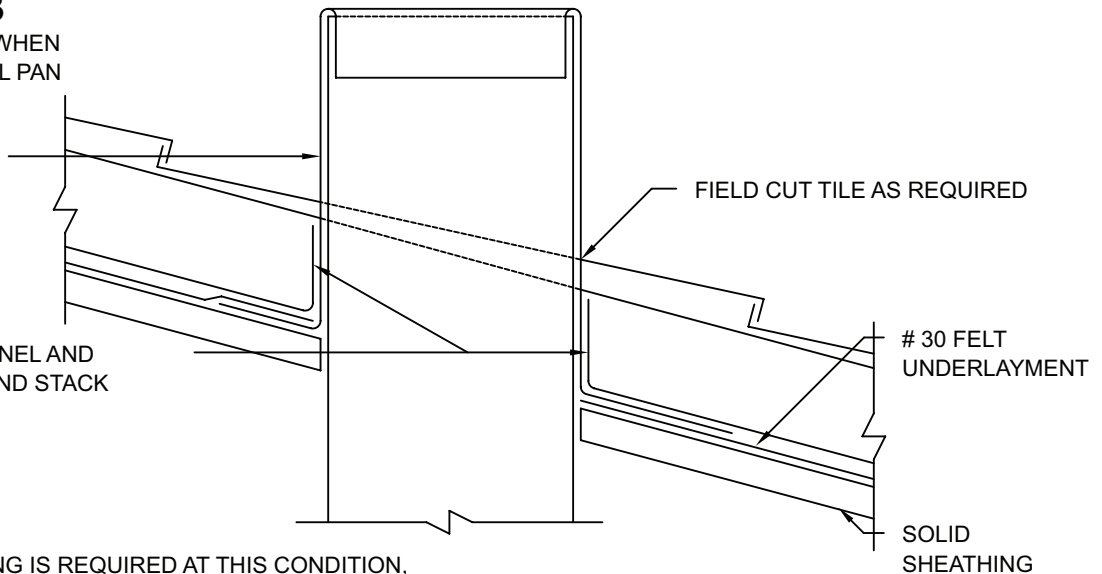
****CALL BMC BEFORE USING THIS DETAIL**

SECTION B

USE THIS DETAIL WHEN
STACK IS AT PANEL PAN

ROUND STACK

CUT DEEP VEE PANEL AND
BEND UP 1" AROUND STACK
AND CAULK



FIELD CUT TILE AS REQUIRED

30 FELT
UNDERLAYMENT

SOLID
SHEATHING

1. SOLID SHEATHING IS REQUIRED AT THIS CONDITION,
WHEN SPANISH TILE SYSTEM IS USED OVER OPEN FRAMING
(SEE DETAIL ST-87)

2. FIELD CUT HOLE IN PANEL 1" LESS THAN DIA. OF STACK,
BACK CUT HOLE AND BEND PANEL UP AROUND STACK



**BERRIDGE
MANUFACTURING
COMPANY**

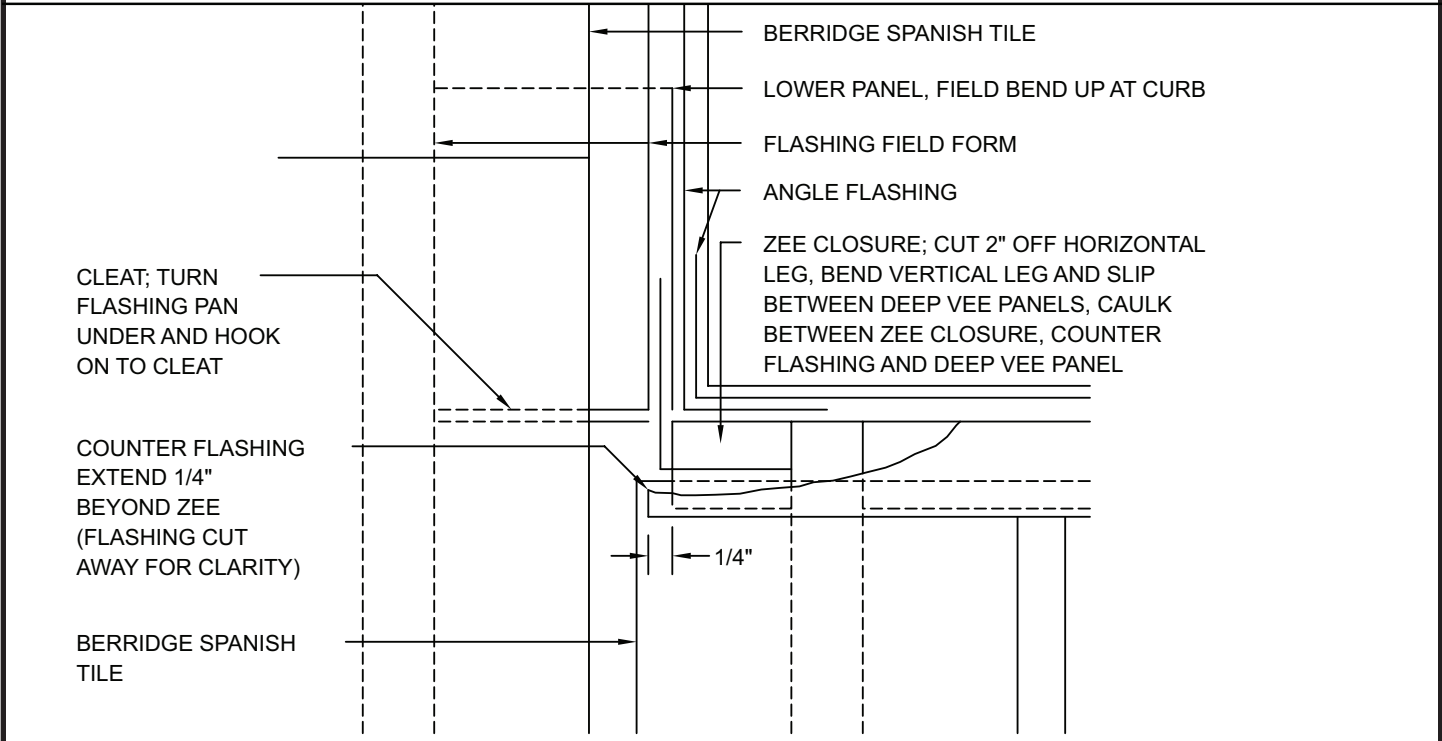
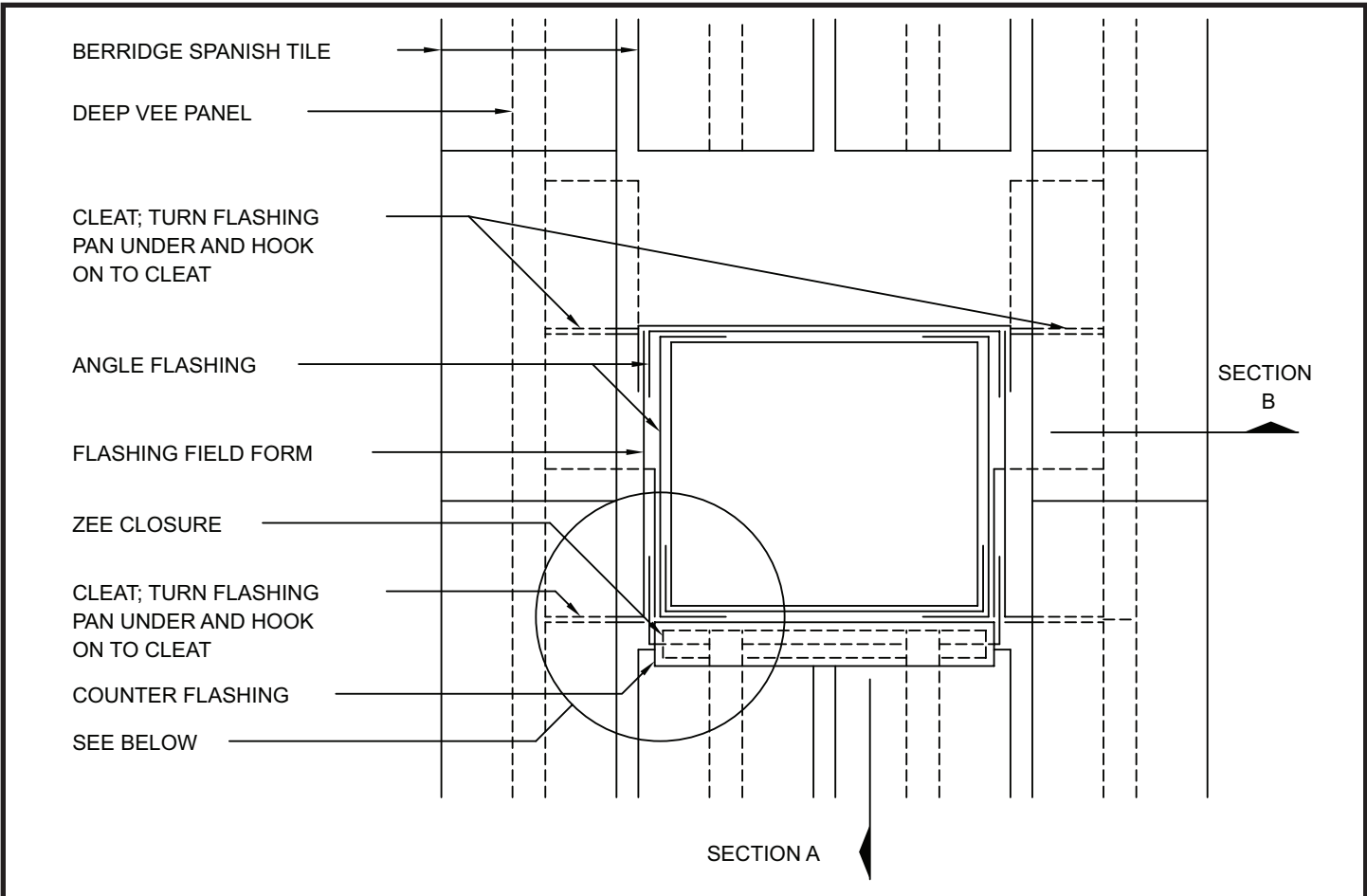
Roofs of Distinction

PIPE PENETRATION
ROUND STACK DETAILS
****CALL BMC BEFORE USING THIS DETAIL**

Spanish Tile

DATE: 11-01-98

PAGE/FILE
ST-82



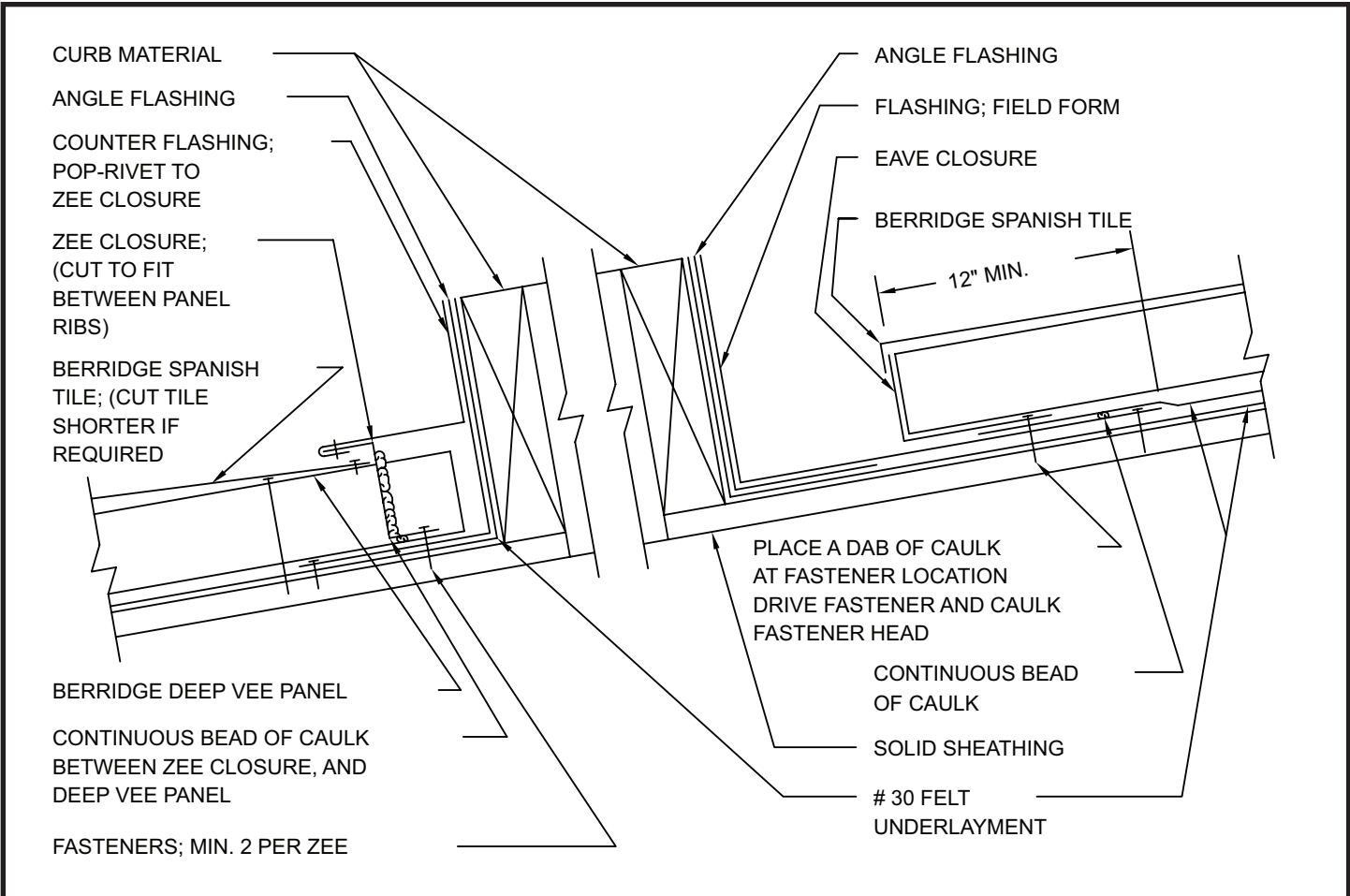
BERRIDGE
MANUFACTURING
COMPANY

ROOF PENETRATION
PLAN VIEW

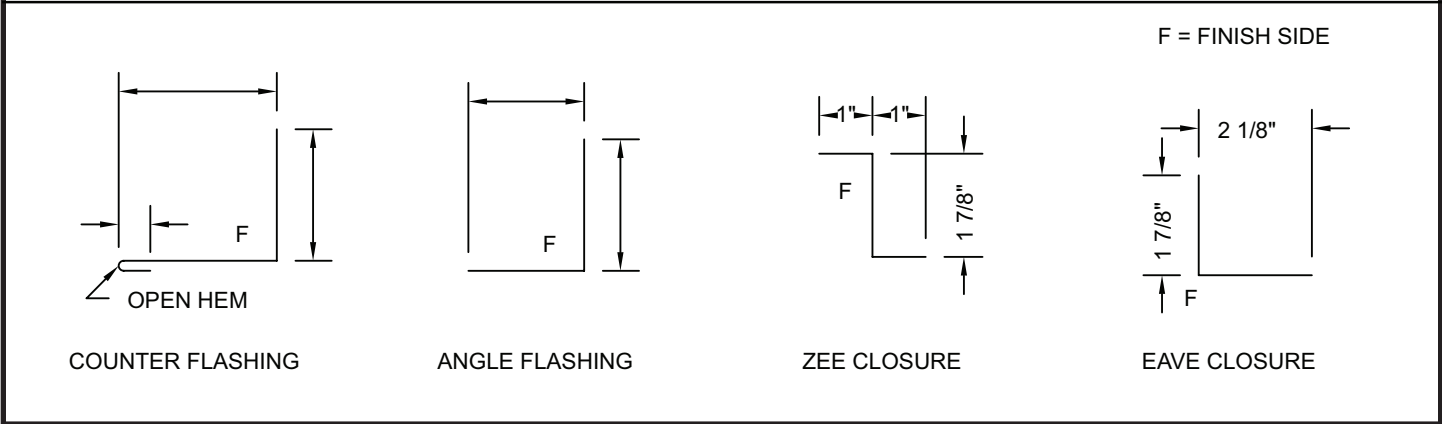
Spanish Tile

DATE: 11-01-98

PAGE/FILE
 ST-83



1. SOLID SHEATHING IS REQUIRED AT THIS CONDITION, WHEN BERRIDGE SPANISH TILE IS USED OVER OPEN FRAMING (SEE DETAIL ST-87)
2. SOLID SHEATHING (BY OTHERS) TO BE MINIMUM 1/2" PLYWOOD OR EQUIVALENT IN STRENGTH FOR HOLDING POWER OF FASTENERS (METAL CORRUGATED SHEATHING MAY BE USED IN LIEU OF PLYWOOD).
3. ALL FELT UNDERLAYMENT, CAULKING AND FASTENERS ARE ITEMS TO BE FURNISHED AND INSTALLED BY THE ROOFING INSTALLER AT THE DISCRETION OF THE ARCHITECT.



BERRIDGE
MANUFACTURING
COMPANY

Roofs of Distinction

ROOF PENETRATION
SECTION - A
Spanish Tile

DATE: 11-01-98

PAGE/FILE
 ST-84

WRAP PERIMETER WITH FELT
AND ANGLE FLASHING

BERRIDGE SPANISH TILE

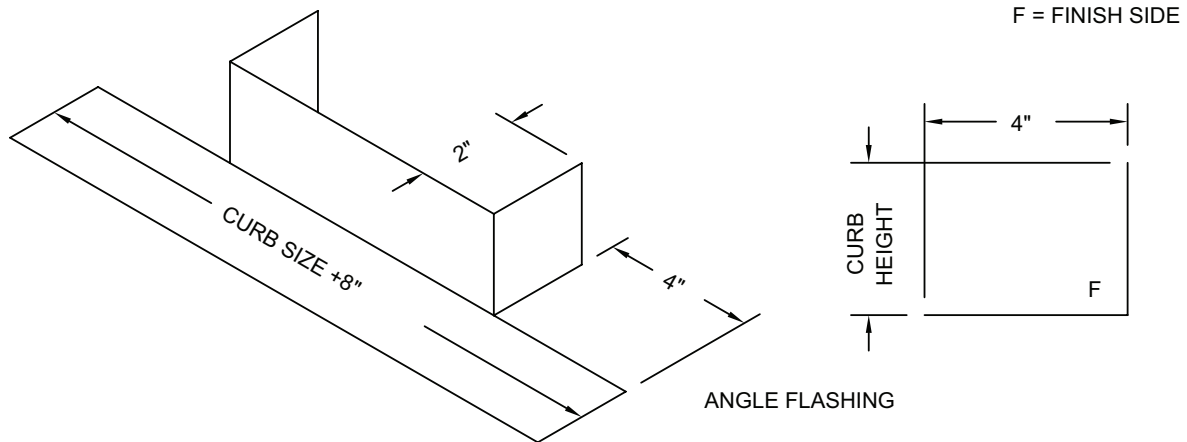
BERRIDGE DEEP VEE PANEL;
BEND TO CURB

SOLID SHEATHING

CURB MATERIAL

30 FELT UNDERLAYMENT

1. SOLID SHEATHING IS REQUIRED AT THIS CONDITION, WHEN BERRIDGE SPANISH TILE IS USED OVER OPEN FRAMING (SEE DETAIL ST-87)
2. SOLID SHEATHING (BY OTHERS) TO BE MINIMUM 1/2" PLYWOOD OR EQUIVALENT IN STRENGTH FOR HOLDING POWER OF FASTENERS (METAL CORRUGATED SHEATHING MAY BE USED IN LIEU OF PLYWOOD).
3. ALL FELT UNDERLAYMENT, CAULKING AND FASTENERS ARE ITEMS TO BE FURNISHED AND INSTALLED BY THE ROOFING INSTALLER AT THE DISCRETION OF THE ARCHITECT.



**BERRIDGE
MANUFACTURING
COMPANY**

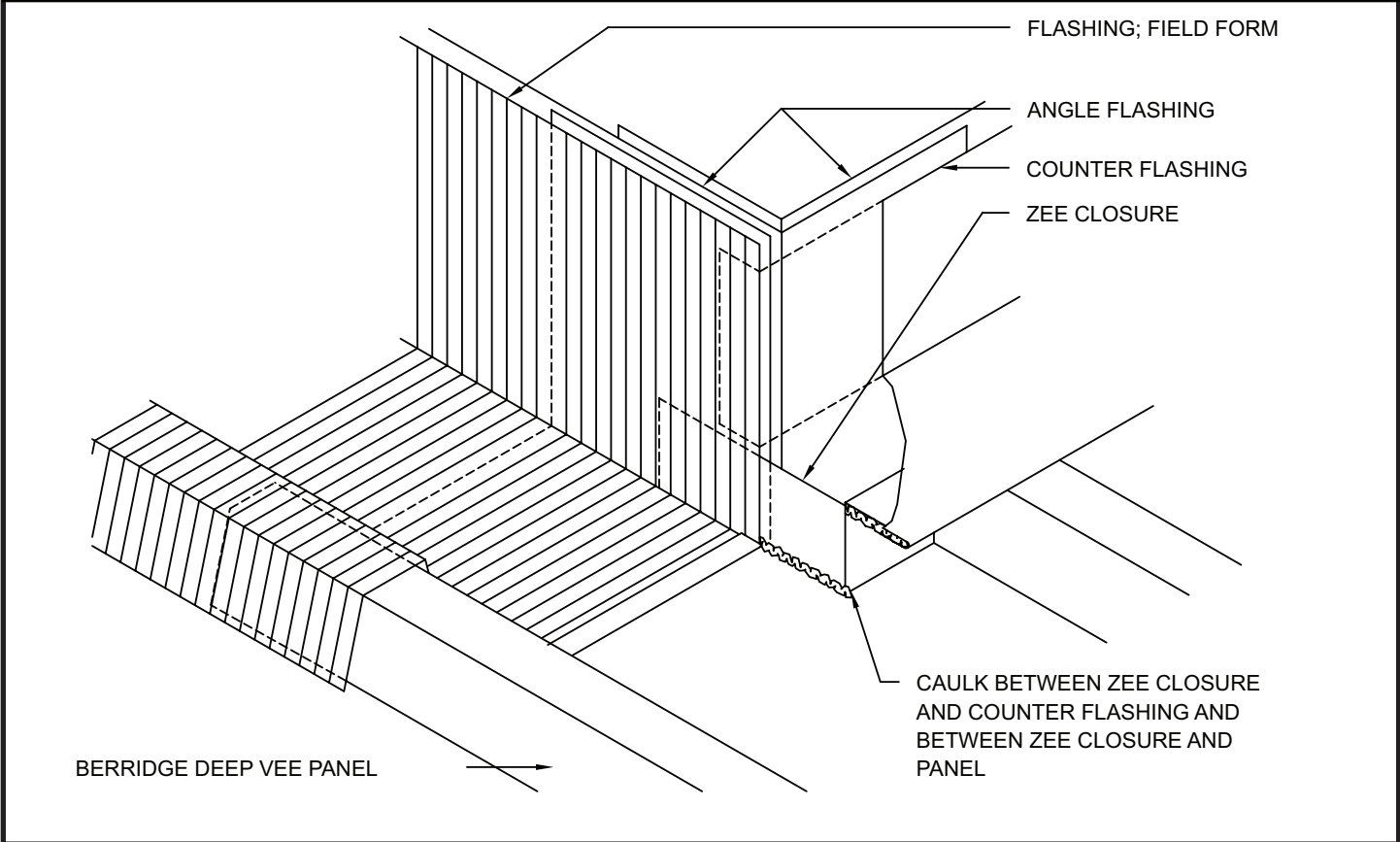
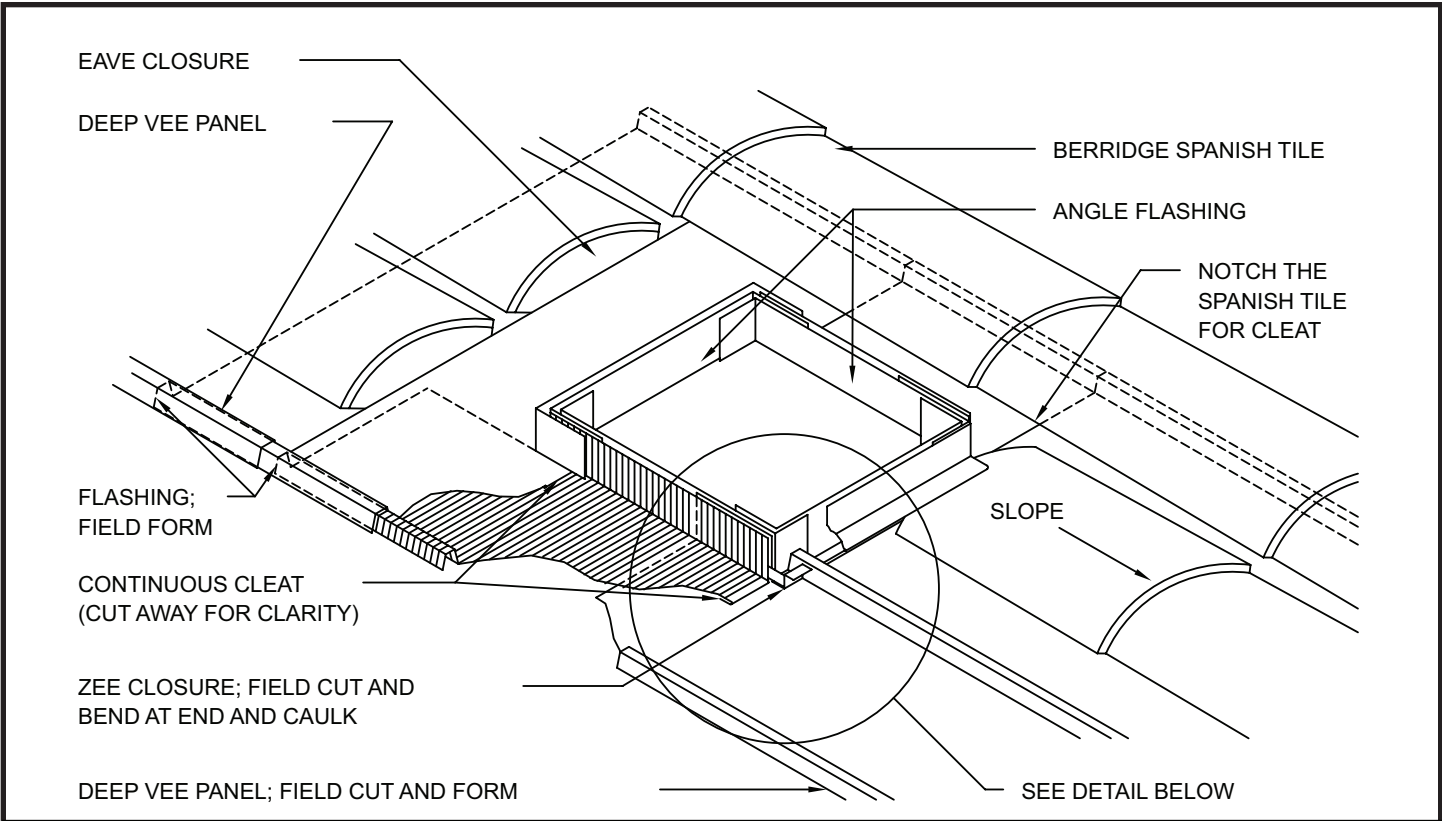
Roofs of Distinction

**ROOF PENETRATION
SECTION - B**

Spanish Tile

DATE: 11-01-98

PAGE/FILE
ST-85



**BERRIDGE
MANUFACTURING
COMPANY**

Roofs of Distinction

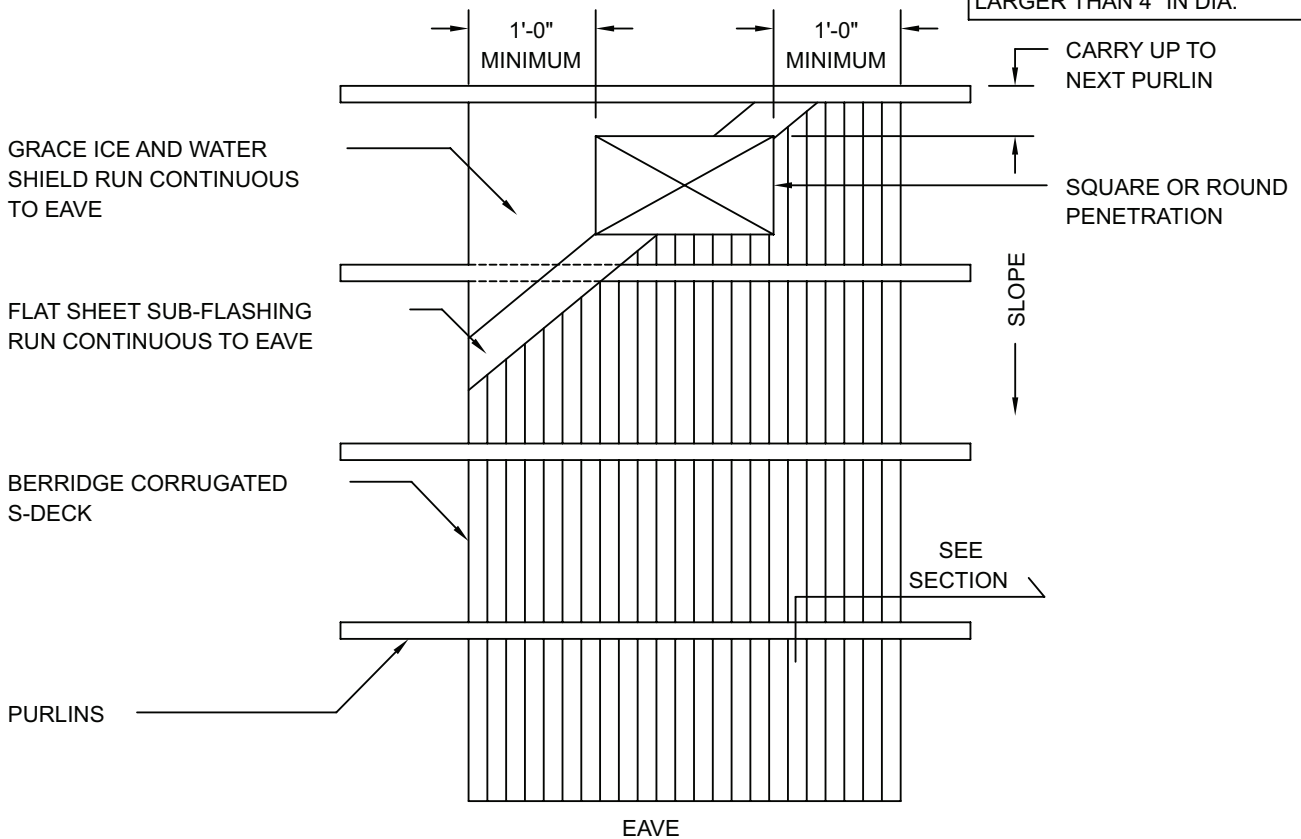
**ROOF PENETRATION
ISOMETRIC**

Spanish Tile

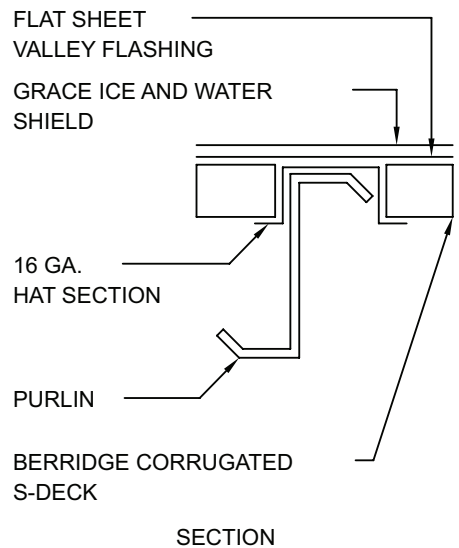
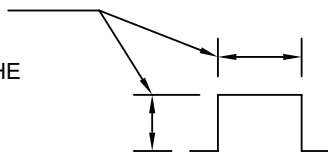
DATE: 11-01-98

PAGE/FILE
ST-86

FOR ROOF PENETRATIONS LARGER THAN 4" IN DIA.



16 GA. HAT SECTION SIZE TO FIT OVER PURLIN AND TO ACCOMMODATE THE DEPTH OF THE BERRIDGE CORRUGATED S-DECK.



**BERRIDGE
MANUFACTURING
COMPANY**

Roofs of Distinction

ROOF PENETRATION
LARGER THAN 4"
OPEN FRAMING

Spanish Tile

DATE: 11-01-98

PAGE/FILE
ST-87