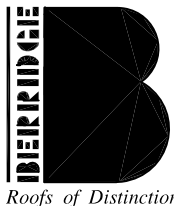


# BR-12 PANEL INSTALLATION DETAILS



INDEX	BR-0
INDEX	BR-1
INSTALLATION INSTRUCTIONS	BRI-1
INSTALLATION INSTRUCTIONS	BRI-2
INTRODUCTION TO TYPICAL DETAILS	BRI-3
PANEL OVERVIEW	BR-5
PANEL END LAP DETAIL	BR-6
RUBBER CLOSURE DETAIL	BR-7
PANEL REVEAL	BR-8
EAVE DETAIL SOLID SHEATHING HORIZONTAL PANEL	BR-10
EAVE DETAIL SOLID SHEATHING VERTICAL PANEL	BR-11
EAVE DETAIL OPEN FRAMING HORIZONTAL PANEL	BR-12
EAVE DETAIL OPEN FRAMING VERTICAL PANEL	BR-13
GABLE DETAIL SOLID SHEATHING HORIZONTAL PANEL	BR-20
GABLE DETAIL SOLID SHEATHING VERTICAL PANEL	BR-21
GABLE DETAIL OPEN FRAMING HORIZONTAL PANEL	BR-22
GABLE DETAIL OPEN FRAMING VERTICAL PANEL	BR-23
FASCIA / SOFFIT SOLID SHEATHING HORIZONTAL PANEL	BR-30
FASCIA / SOFFIT SOLID SHEATHING HORIZONTAL PANEL	BR-31
FASCIA / SOFFIT SOLID SHEATHING HORIZONTAL PANEL	BR-32
FASCIA / SOFFIT OPEN FRAMING HORIZONTAL PANEL	BR-33
FASCIA / SOFFIT SOLID SHEATHING VERTICAL PANEL	BR-34
FASCIA / SOFFIT OPEN FRAMING VERTICAL PANEL	BR-35
WALL / SOFFIT SOLID SHEATHING HORIZONTAL PANEL	BR-40
WALL / SOFFIT SOLID SHEATHING HORIZONTAL PANEL	BR-41
WALL / SOFFIT SOLID SHEATHING VERTICAL PANEL	BR-42
WALL / SOFFIT OPEN FRAMING HORIZONTAL PANEL	BR-43
WALL / SOFFIT OPEN FRAMING VERTICAL PANEL	BR-44



Berridge  
Manufacturing  
Company

## INDEX

# BR-12 PANEL

DATE: 1/23/19

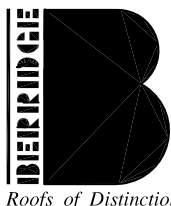
PAGE\FILE  
BR-0

SILL AT SLAB SOLID SHEATHING HORIZONTAL PANEL	BR-50
SILL AT SLAB SOLID SHEATHING HORIZONTAL PANEL	BR-51
SILL AT SLAB OPEN FRAMING HORIZONTAL PANEL	BR-52
SILL AT SLAB OPEN FRAMING HORIZONTAL PANEL	BR-53
SILL AT SLAB SOLID SHEATHING VERTICAL PANEL	BR-54
SILL AT SLAB OPEN FRAMING VERTICAL PANEL	BR-55
SILL AT SLAB OPEN FRAMING VERTICAL PANEL	BR-56
SILL AT BRICK SOLID SHEATHING HORIZONTAL PANEL	BR-57
SILL AT WALL SOLID SHEATHING HORIZONTAL PANEL	BR-58

HEADER SOLID SHEATHING HORIZONTAL PANEL	BR-60
HEADER SOLID SHEATHING HORIZONTAL PANEL	BR-61
HEADER SOLID SHEATHING VERTICAL PANEL	BR-62
JAMB SOLID SHEATHING HORIZONTAL PANEL	BR-63
JAMB SOLID SHEATHING VERTICAL PANEL	BR-64
SILL SOLID SHEATHING HORIZONTAL PANEL	BR-65
SILL SOLID SHEATHING VERTICAL PANEL	BR-66

OUTSIDE CORNER SOLID SHEATHING HORIZONTAL PANEL	BR-70
OUTSIDE CORNER SOLID SHEATHING HORIZONTAL PANEL	BR-70A
OUTSIDE CORNER OPEN FRAMING HORIZONTAL PANEL	BR-71
OUTSIDE CORNER OPEN FRAMING HORIZONTAL PANEL	BR-71A
INSIDE CORNER SOLID SHEATHING HORIZONTAL PANEL	BR-72
INSIDE CORNER SOLID SHEATHING HORIZONTAL PANEL	BR-72A
INSIDE CORNER OPEN FRAMING HORIZONTAL PANEL	BR-73
INSIDE CORNER OPEN FRAMING HORIZONTAL PANEL	BR-73A
OUTSIDE CORNER SOLID SHEATHING VERTICAL PANEL	BR-74
INSIDE CORNER SOLID SHEATHING VERTICAL PANEL	BR-75

PARAPET SOLID SHEATHING HORIZONTAL PANEL	BR-80
PARAPET SOLID SHEATHING VERTICAL PANEL	BR-81
HEAD WALL SOLID SHEATHING HORIZONTAL PANEL	BR-82
HEAD WALL SOLID SHEATHING VERTICAL PANEL	BR-83
RAKE WALL SOLID SHEATHING HORIZONTAL PANEL	BR-84
RAKE WALL SOLID SHEATHING VERTICAL PANEL	BR-85



Berridge  
Manufacturing  
Company

## INDEX

DATE: 1/23/19

# BR-12 PANEL

PAGE\FILE  
BR-1

1. BERRIDGE BR-12 PANEL: HAS AN EXPOSURE OF NOMINAL 12" WITH A 2" FLAT CORRUGATION AND A DEPTH OF 1 1/2".

THE PANEL IS FACTORY FABRICATED IN MAXIMUM 40'-0" LENGTHS.

GENERAL NOTES

1. PANELS MAY BE USED AS FASCIA, WALL SYSTEM, FACADE OR SIDING.
  2. PANELS CAN BE INSTALLED OVER SOLID SHEATHING OR OPEN FRAMING. CONSULT BERRIDGE FOR OPEN FRAMING APPLICATIONS.
  3. PANELS PROVIDE STRONG INTERLOCK AND HIDDEN FASTENER DESIGN.
- A. MATERIAL STORAGE: CAUTION MUST BE EXERCISED IN THE STORAGE OF MATERIALS PRIOR TO INSTALLATION. KEEP ALL BERRIDGE PREFINISHED MATERIAL IN A DRY LOCATION WITH ADEQUATE VENTILATION AND OUT OF DIRECT SUNLIGHT.

EXPOSURE TO DIRECT SUNLIGHT AND/OR MOISTURE MAY CAUSE THE FACTORY-APPLIED STRIPPABLE PROTECTIVE PLASTIC FILM TO ADHERE TO THE METAL PERMANENTLY AND CAUSE DISCOLORATION OF THE FINISH.

- B. STRIPPABLE PROTECTIVE FILM: THE STRIPPABLE PLASTIC FILM WHICH IS APPLIED OVER MOST BERRIDGE PREFINISHED PRODUCTS, PANELS, FLASHINGS, COILS AND SHEETS PROVIDES PROTECTION OF THE FINISH DURING FABRICATION AND TRANSIT. THIS FILM MUST BE REMOVED PRIOR TO INSTALLATION.
- C. SHEATHING: IF SOLID SHEATHING IS TO BE USED, BERRIDGE RECOMMENDS THE USE OF EITHER MINIMUM 22 GA CORRUGATED METAL DECKING OR A MINIMUM OF 1/2" SOLID WOOD SHEATHING TO PROVIDE SUFFICIENT HOLDING STRENGTH FOR FASTENERS. SHEATHING TO BE IN PLANE ± 1/4" IN 20'.
- D. UNDERLAYMENT: USE NUMBER THIRTY 30# FELT PAPER BENEATH PANELS; OR BERRIDGE APPROVED PEEL AND STICK. INSTALL PARALLEL TO BASE OF PANELS, STARTING AT THE BOTTOM AND USING MINIMUM 6" LAPS. FOR FELT USE ONLY BERRIDGE COATED FELT CAPS TO PREVENT RUST. USE ONLY GALVANIZED OR COATED FASTENERS. DO NOT USE RED ROSIN PAPER WITH ANY BERRIDGE MANUFACTURING PRODUCT.
- E. SEALANT RECOMMENDATIONS: SELECT FROM APPROVED SEALANT LIST FOUND ON THE BERRIDGE WEB SITE
- F. ELECTROLYSIS: AVOID ALLOWING FLASHINGS AND PANELS TO COME INTO CONTACT WITH EITHER LEAD OR COPPER, AND PREVENT EXPOSURE TO WATER RUN OFF FROM LEAD AND/OR COPPER.
- G. STRUCTURAL FRAMING: PRIOR TO PANEL INSTALLATION, INSPECT SIDEWALL, FASCIA OR OTHER FRAMING TO DETERMINE:
1. FRAMING MUST BE SQUARE AND PLUMB.
  2. INSURE THAT SIDEWALL COLUMNS AND GIRTS ARE IN THE SAME PLANE, PLUS OR MINUS 1/4" IN 20'.
  3. CONSULT BERRIDGE FOR OPEN FRAME APPLICATIONS.
- H. FLASHING: IF BERRIDGE MANUFACTURING COMPANY IS TO SUPPLY FLASHINGS, THEY WILL BE FABRICATED IN 10'-0" LENGTHS WITH SQUARE END CUTS ONLY. THE PURCHASER MUST PROVIDE ALL DIMENSION AND DEGREE OF ANGLES.

 <p><b>Berridge Manufacturing Company</b></p>	<p><b>INSTALLATION INSTRUCTIONS</b></p>	DATE: 1/23/19
	<p><b>BR-12 PANEL</b></p>	PAGE\FILE <b>BRI-1</b>

- I. FLASHING INSTALLATION: FIRST, REMOVE STRIPPABLE PLASTIC FILM FROM ALL FLASHINGS, THEN INSTALL ACCORDING TO BERRIDGE TYPICAL INSTALLATION DETAILS. ALWAYS STAGGER FLASHING JOINTS WHEN ONE FLASHING IS INSTALLED OVER OTHER FLASHINGS. INSTALL ALUMINUM FLASHINGS WITH A 1/4" GAP BETWEEN NOTCH AND OVERLAP IN THE LAPS FOR THERMAL MOVEMENT. ALL ALUMINUM FLASHINGS MUST BE FASTENED 5" AWAY FROM THE 4" OVERLAP. ALL FLASHING ARE TO BE DESIGNED TO NOT TRAP WATER.
- J. PANEL INSTALLATION:
  1. REMOVE STRIPPABLE PLASTIC FILM FROM EACH PANEL PRIOR TO INSTALLATION.
  2. FOR HORIZONTAL PANELS, START PANEL INSTALLATION FROM BOTTOM OF WALL OR SILL AND WORK UP TO TOP OF WALL. FOR VERTICAL PANELS, START PANEL INSTALLATION FROM ONE CORNER AND WORK TOWARD THE OTHER.
  3. KEEP EACH PANEL TIGHT AGAINST THE ADJOINING PANEL.
  4. HORIZONTAL PANEL SIDE JOINTS SHALL BE PARALLEL TO SILL. VERTICAL PANEL SIDE JOINTS SHALL BE PERPENDICULAR TO SILL.
  5. INSTALLATION OF ALL METALLIC PANELS:  
NOTE THE SERIES OF ARROWS PAINTED ON THE UNDERSIDE OF THE PANEL. ALL PANELS MUST BE INSTALLED IN CONSISTENT MANNER, MEANING THAT THE ARROWS ON EVERY PANEL ARE ALL POINTING IN THE SAME DIRECTION. IF A PANEL IS REVERSED (ARROWS POINTING OPPOSITE OF THOSE ON OTHER PANELS) IT WILL APPEAR, FROM A DISTANCE, A DIFFERENT SHADE DUE TO THE GRANULAR EFFECT OF THE PIGMENTS IN THE FINISH.  
MATCH – LOT FINISHES. ORDER ALL MATERIAL AT ONE TIME, DO NOT MIX LOTS.

\*K. PANEL FASTENERS: INSTALL FASTENERS AS PER TYPICAL DETAILS.

WHEN ATTACHING TO FRAMING USE (2) #12 FENDERHEAD T-3 FASTENERS AS MADE BY DYNAMIC FASTENER CO. AT EACH FRAMING MEMBER

WHEN ATTACHING TO PLYWOOD OR METAL DECKING, PLEASE CONTACT BERRIDGE.

WHEN USING POP RIVETS ON FLASHING, STAINLESS STEEL RIVETS ARE RECOMMENDED TO AVOID RUST STAINS. USE #12 PANCAKE HEAD ZINC PLATED FASTENERS FOR FLASHING INSTALLATIONS.

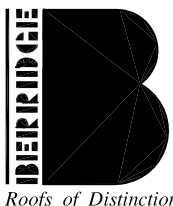
MAKE SURE ALL FASTENERS ARE DRIVEN STRAIGHT AND SET FLAT. DO NOT OVERDRIVE FASTENERS, AS THIS WILL CAUSE THE FLASHING TO BUCKLE OR BECOME RECESSED BELOW THE ELEVATION OF THE SUBSTRATE.

ALL FASTENERS ARE TO BE GALVANIZED, STAINLESS STEEL OR COATED.

BERRIDGE MANUFACTURING COMPANY STRIVES TO PROVIDE ITS CUSTOMERS WITH THE HIGHEST QUALITY STRETCHER LEVELED STEEL AVAILABLE. THE LATEST TECHNOLOGY IS ALSO INCORPORATED IN BERRIDGE'S HIGH-PRECISION COIL HANDLING AND ROLL FORMING EQUIPMENT TO MINIMIZE THE STRESS ON METAL DURING PRODUCTION. THESE MEASURES HAVE BEEN TAKEN TO MINIMIZE THE AMOUNT OF "OIL-CANNING" (WAVINESS) WHICH IS NATURALLY INHERENT IN FLAT SHEET METAL. MANY TIMES, HOWEVER, THE CAUSE OF WAVINESS OR "OIL-CANNING" CAN BE TRACED TO UNEVEN SHEATHING, IMPROPER UNDERLAYMENT INSTALLATION, OR IN THE CASE OF OPEN FRAMING, UNEVENNESS OF THE TOP PLANE OF THE PURLINS OR FOOT TRAFFIC ON THE PANELS.

ALL ARCHITECTURAL PANELS REQUIRE CARE IN HANDLING AND INSTALLATION TO AVOID DAMAGING OR DEFORMING THE PANELS.

\*CONSULT BERRIDGE MANUFACTURING'S ENGINEERING DEPARTMENT REGARDING FASTENER & SPACING TO MEET DESIGN CRITERIA, AND THE USE OF ANY OTHER TYPE OF FASTENER.



**Berridge  
Manufacturing  
Company**

## INSTALLATION INSTRUCTIONS

# BR-12 PANEL

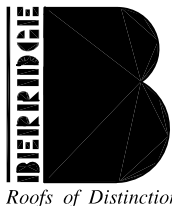
DATE: 1/23/19

PAGE\FILE  
BRI-2

THE DETAILS CONTAINED IN THE FOLLOWING PAGES ARE MERELY RECOMMENDATIONS AS TO HOW BERRIDGE MANUFACTURING MATERIALS SHOULD BE INSTALLED. THEY MAY REQUIRE ADAPTATIONS OR MODIFICATIONS FOR A SPECIFIC PROJECT AS CONDITIONS VARY IN BOTH BUILDING DESIGN AND LOCAL WEATHER PECULIARITIES.

BERRIDGE MANUFACTURING COMPANY SHALL BE HELD HARMLESS FROM ANY AND ALL CLAIMS ARISING FROM LACK OF WATERTIGHTNESS AS A RESULT OF FOLLOWING THESE RECOMMENDED DETAILS. ENSURING WATERTIGHTNESS ON ANY GIVEN PROJECT IS THE FUNCTION OF THE INSTALLER. THE ARCHITECT/GENERAL CONTRACTOR/INSTALLER MUST ACCEPT THE RESPONSIBILITY TO ADAPT THESE DETAILS TO MEET PARTICULAR BUILDING REQUIREMENTS AND TO ASSURE ADEQUATE WATERTIGHTNESS.

THE INSTALLER CAN VIRTUALLY ASSURE WATERTIGHTNESS IF THESE FLASHING DETAILS HAVE BEEN PROPERLY ADAPTED, ADEQUATE LAPS HAVE BEEN PROVIDED, CORRECT TYPE OF SEALANT USED, ALL JOINTS ADEQUATELY CAULKED, AND PROFESSIONAL WORKMANSHIP EMPLOYED.

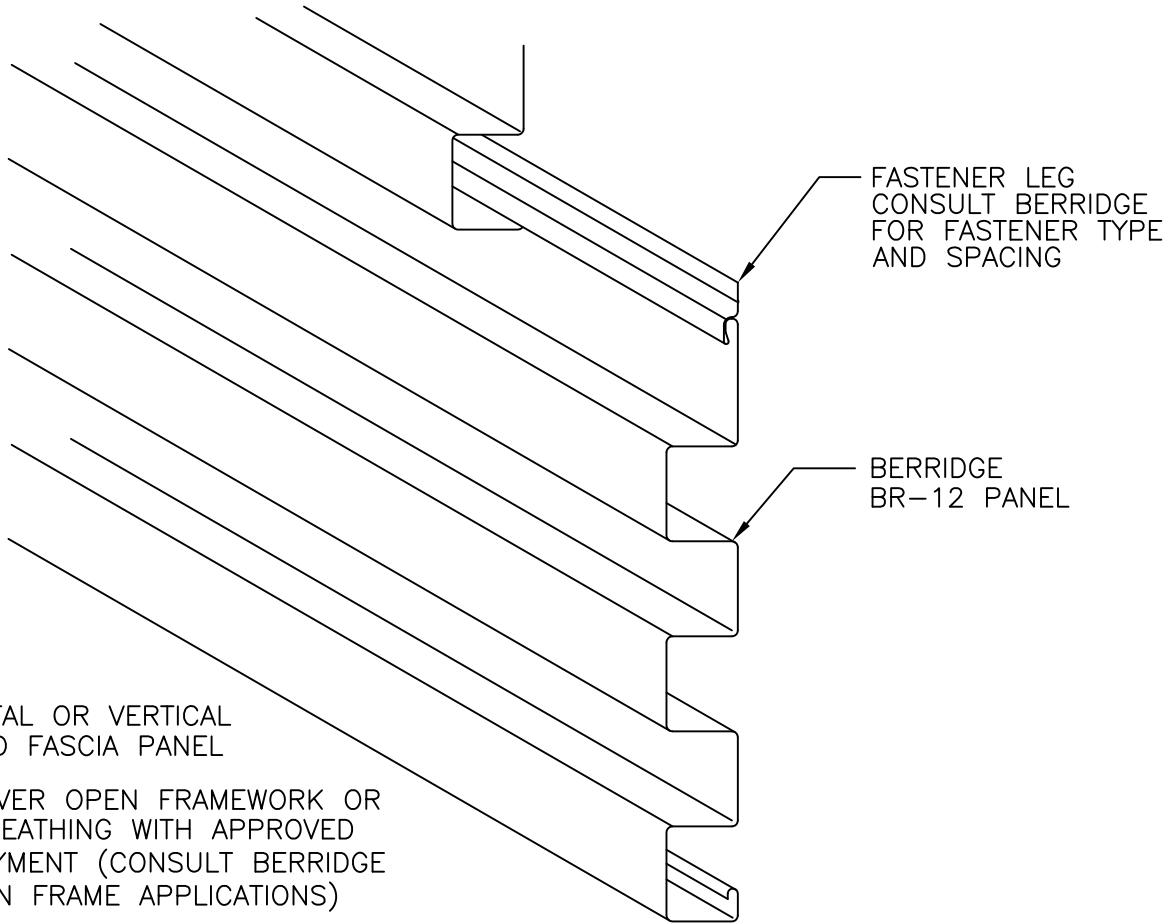


Berridge  
Manufacturing  
Company

INTRODUCTION TO  
TYPICAL DETAI  
BR-12 PANEL

DATE: 1/23/19

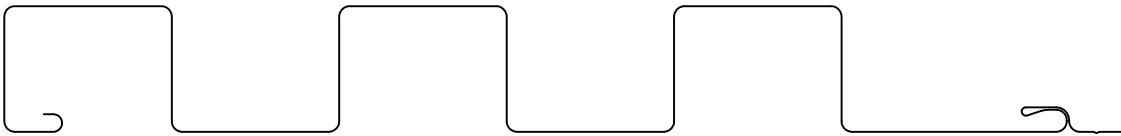
PAGE\FILE  
BRI-3



HORIZONTAL OR VERTICAL  
WALL AND FASCIA PANEL

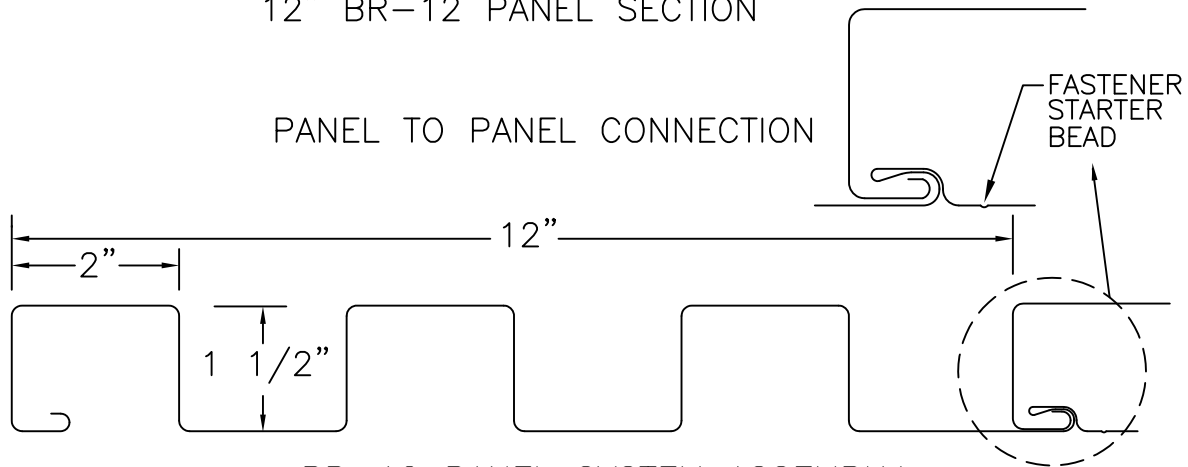
SPANS OVER OPEN FRAMEWORK OR  
SOLID SHEATHING WITH APPROVED  
UNDERLAYMENT (CONSULT BERRIDGE  
FOR OPEN FRAME APPLICATIONS)

HIDDEN FASTENERS



12" BR-12 PANEL SECTION

PANEL TO PANEL CONNECTION



BR-12 PANEL SYSTEM ASSEMBLY



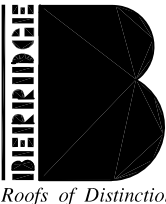
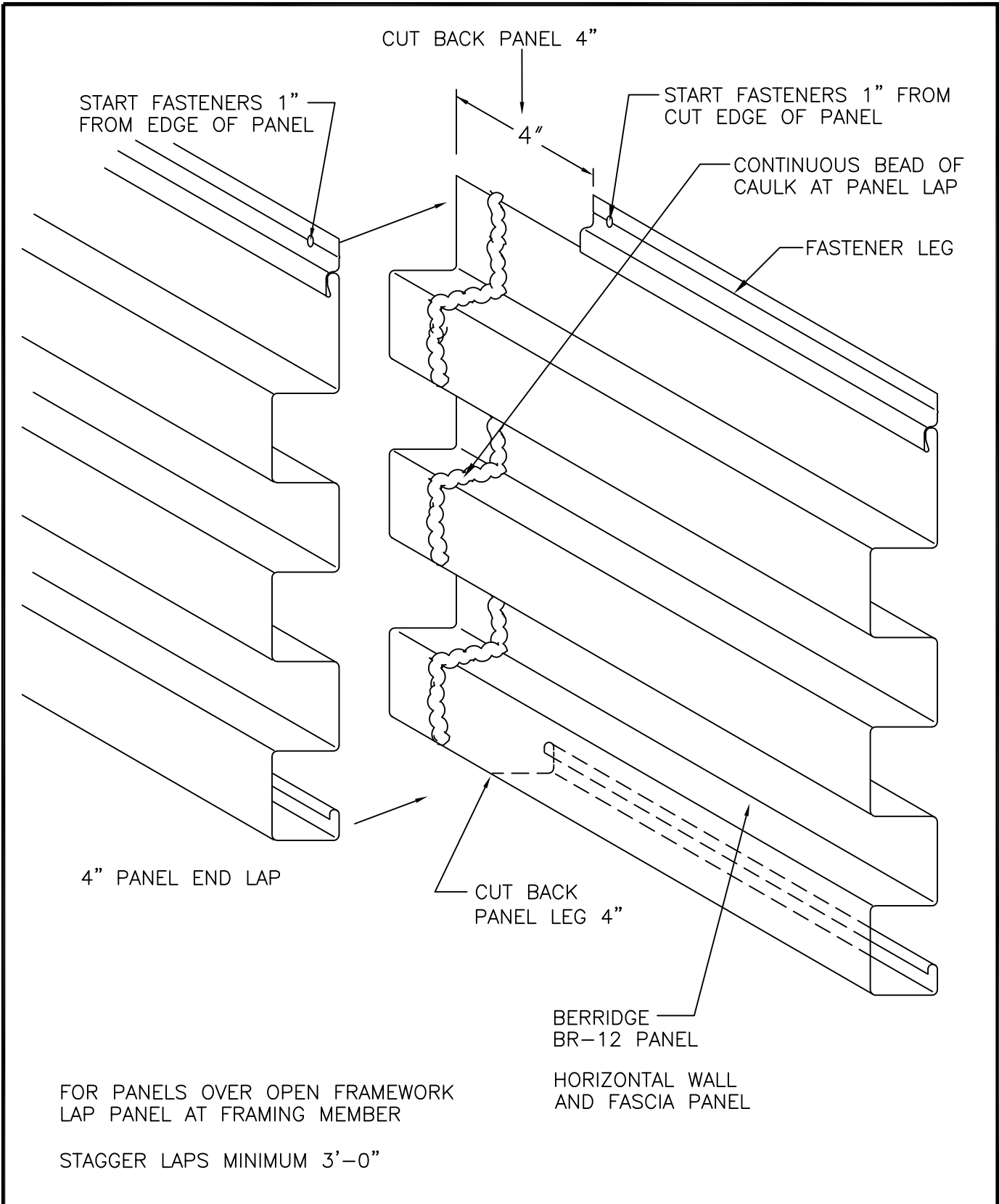
Berridge  
Manufacturing  
Company

PANEL OVERVIEW

BR-12 PANEL

DATE: 1/23/19

PAGE\FILE  
BR-5



Berridge  
Manufacturing  
Company

Roofs of Distinction

## PANEL END LAP DETAIL

# BR-12 PANEL

DATE: 1/23/19

PAGE\FILE

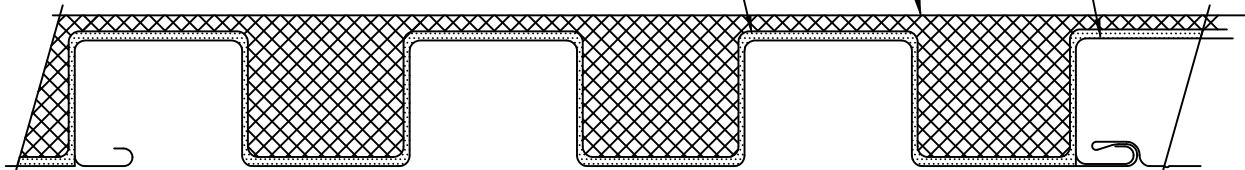
BR-6



OUTSIDE FACE OF BR-12 PANEL

OUTSIDE RUBBER CLOSURE

1" SEALANT TAPE



OUTSIDE RUBBER CLOSURE DETAIL



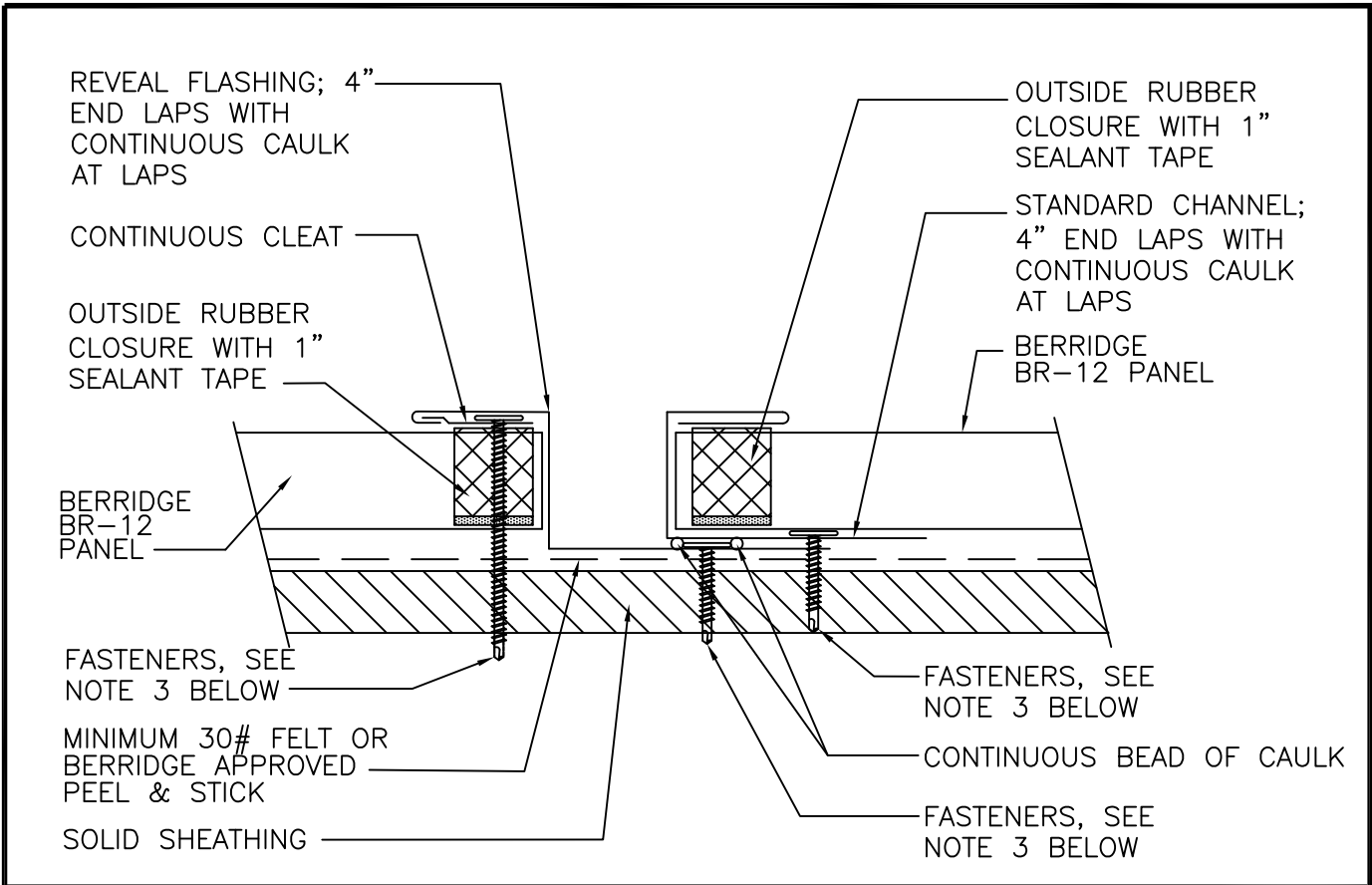
Berridge  
Manufacturing  
Company

RUBBER CLOSURE  
DETAIL

BR-12 PANEL

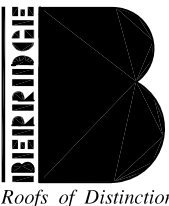
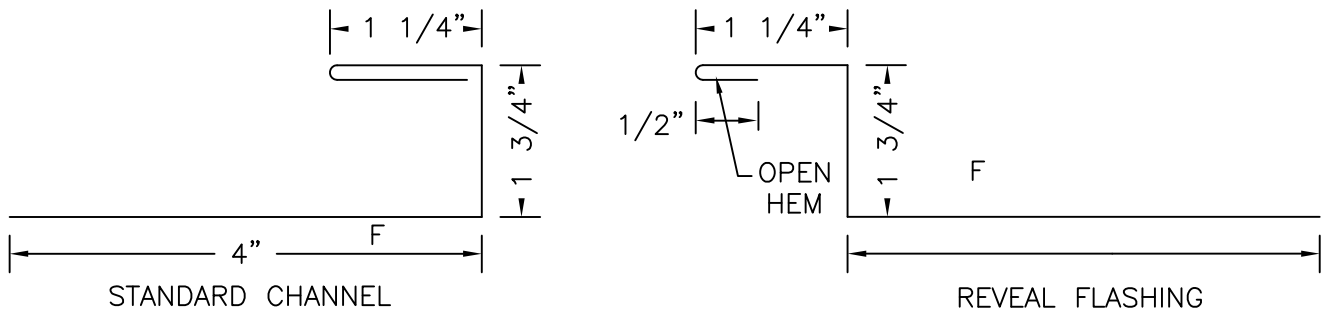
DATE: 1/23/19

PAGE\FILE  
BR-7



1. SOLID SHEATHING (BY OTHERS) TO MEET ENGINEERING AND ARCHITECTURAL SPECIFICATIONS MINIMUM REQUIREMENTS REFERENCE INSTALLATION INSTRUCTIONS
2. REFERENCE BERRIDGE'S WEB SITE FOR APPROVED UNDERLAYMENT AND CAULK TYPES CONSULT BERRIDGE MANUFACTURING'S ENGINEERING DEPARTMENT REGARDING FASTENER TYPE & SPACING (REFERENCE INSTALLATION INSTRUCTIONS FOR MIN. FASTENER REQUIREMENTS)
3. FLASHINGS TO BE FASTENED AT 20" O.C. MAX. FOR STEEL AND 16" O.C. MAX. FOR ALUMINUM. SEE INSTALLATION INSTRUCTIONS FOR FLASHING INSTALLATION NOTES.

F = FINISH SIDE



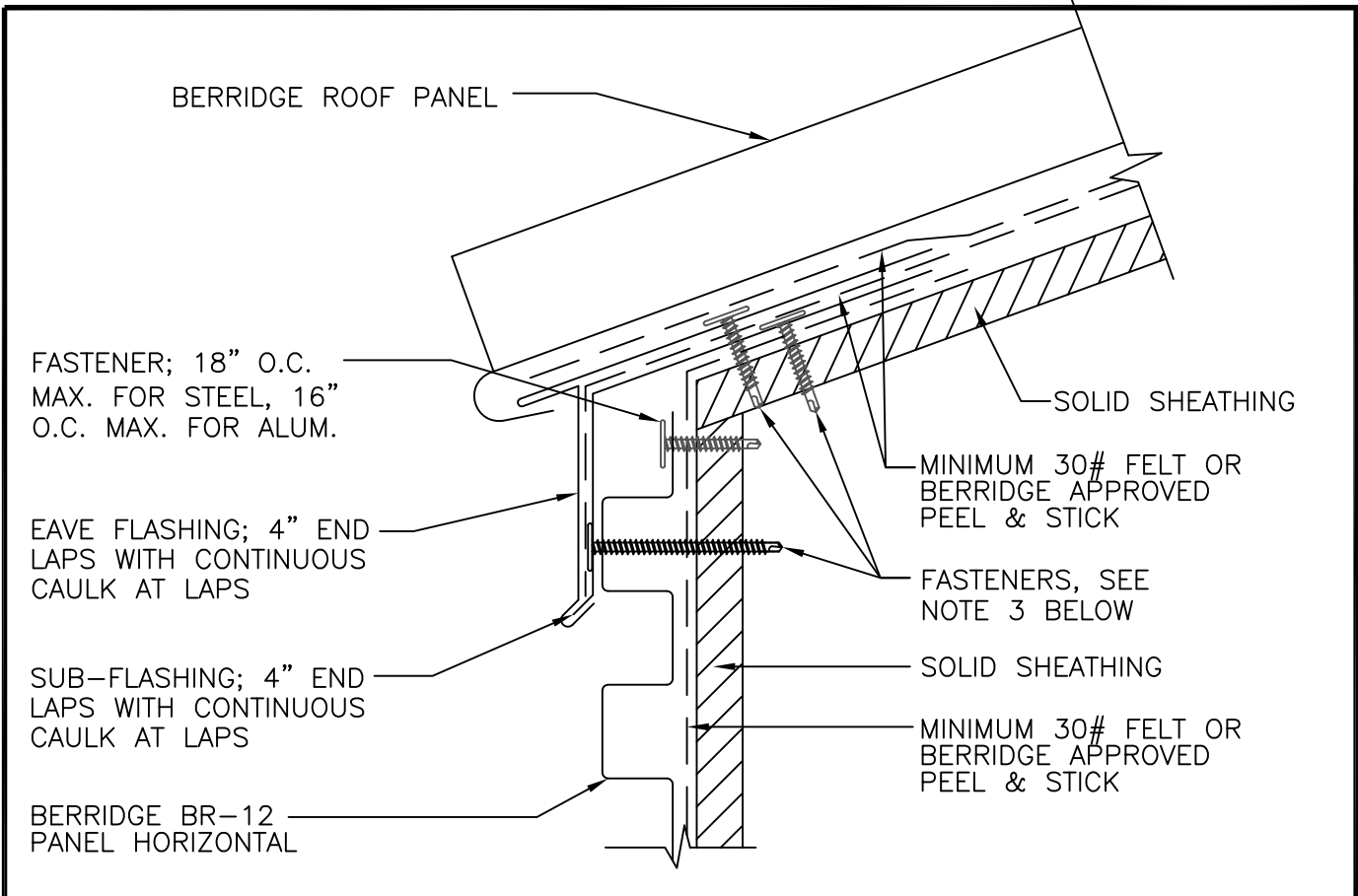
Berridge  
Manufacturing  
Company

PANEL REVEAL

BR-12 PANEL

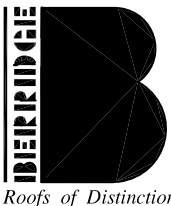
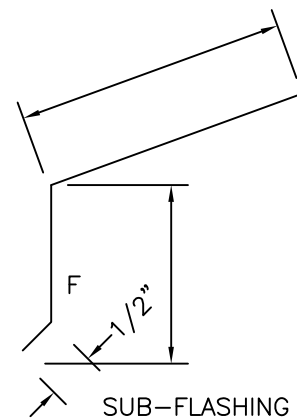
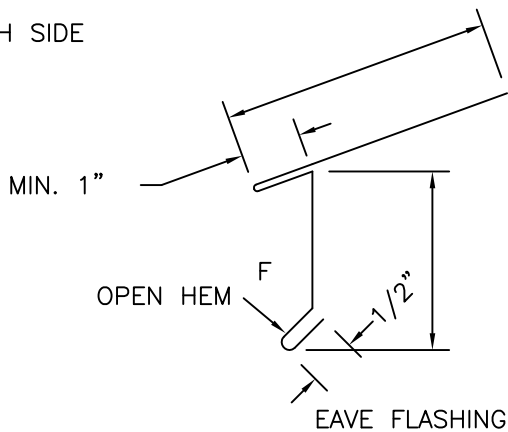
DATE: 1/23/19

PAGE\FILE  
BR-8



1. SOLID SHEATHING (BY OTHERS) TO MEET ENGINEERING AND ARCHITECTURAL SPECIFICATIONS MINIMUM REQUIREMENTS REFERENCE INSTALLATION INSTRUCTIONS
2. REFERENCE BERRIDGE'S WEB SITE FOR APPROVED UNDERLAYMENT AND CAULK TYPES CONSULT BERRIDGE MANUFACTURING'S ENGINEERING DEPARTMENT REGARDING FASTENER TYPE & SPACING (REFERENCE INSTALLATION INSTRUCTIONS FOR MIN. FASTENER REQUIREMENTS)
3. FLASHINGS TO BE FASTENED AT 20" O.C. MAX. FOR STEEL AND 16" O.C. MAX. FOR ALUMINUM. SEE INSTALLATION INSTRUCTIONS FOR FLASHING INSTALLATION NOTES.

F = FINISH SIDE

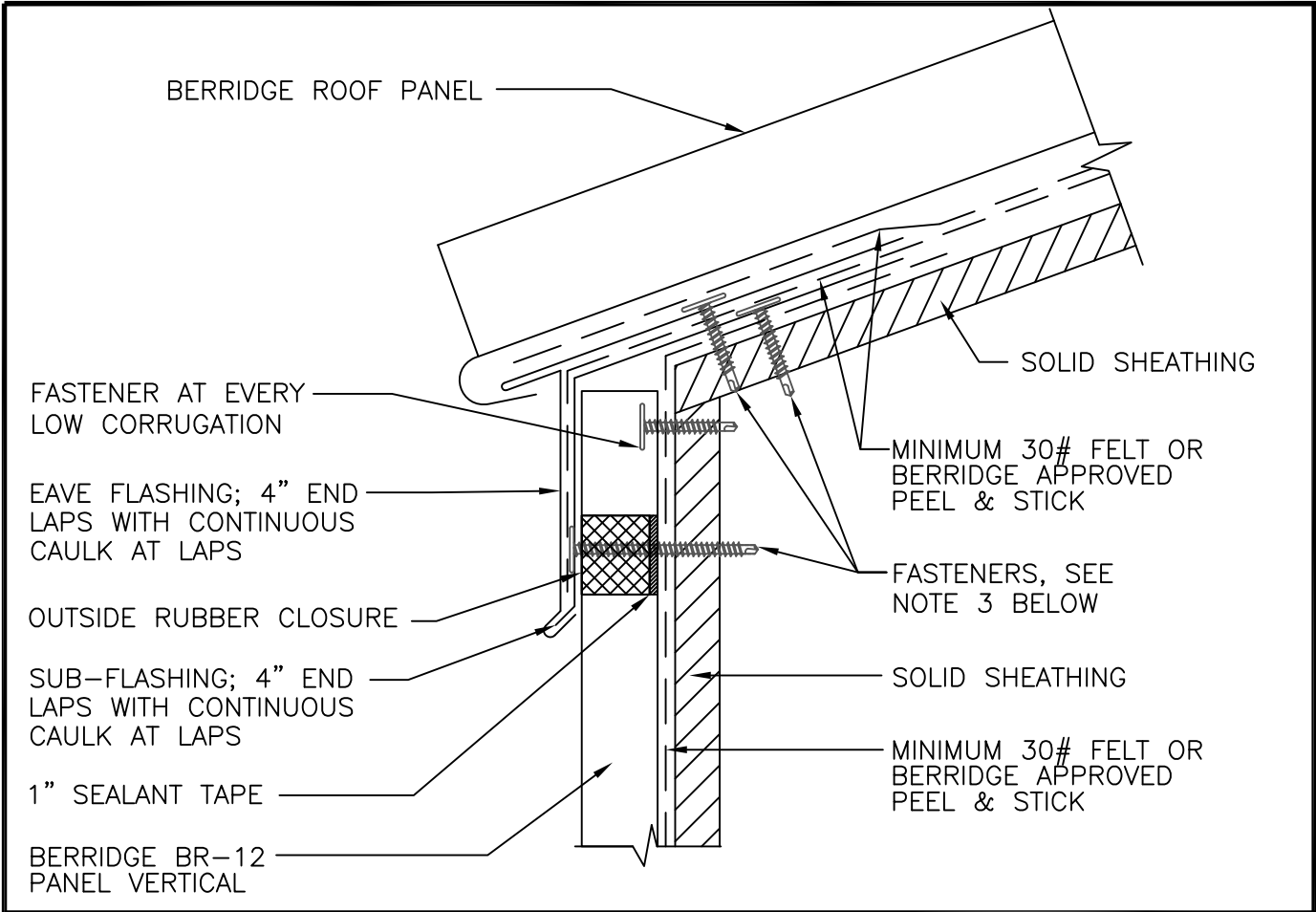


Berridge  
Manufacturing  
Company

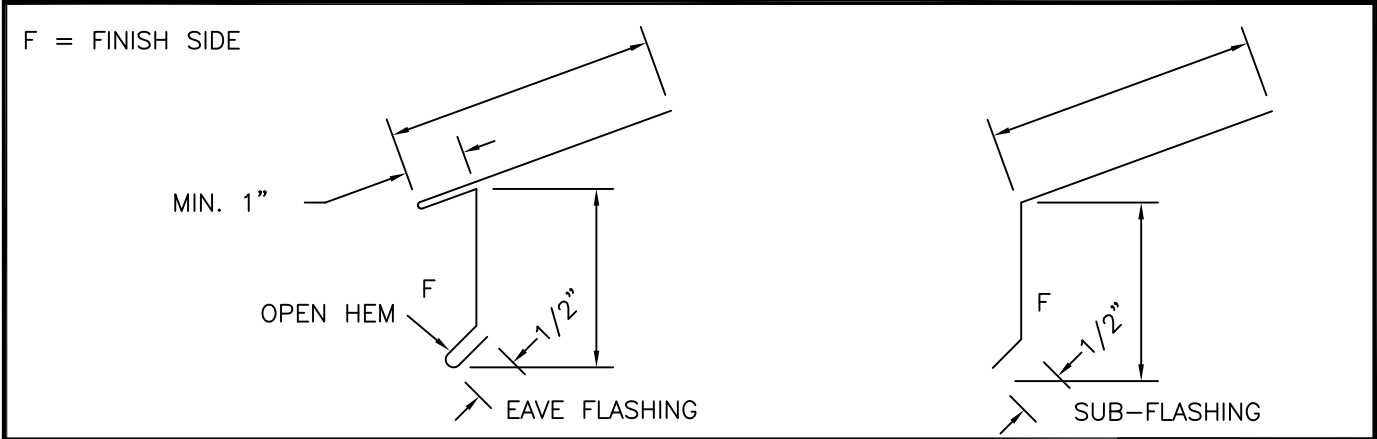
## EAVE DETAIL SOLID SHEATHING BR-12 PANEL

DATE: 1/23/19

PAGE\FILE  
BR-10



1. SOLID SHEATHING (BY OTHERS) TO MEET ENGINEERING AND ARCHITECTURAL SPECIFICATIONS MINIMUM REQUIREMENTS REFERENCE INSTALLATION INSTRUCTIONS
2. REFERENCE BERRIDGE'S WEB SITE FOR APPROVED UNDERLAYMENT AND CAULK TYPES CONSULT BERRIDGE MANUFACTURING'S ENGINEERING DEPARTMENT REGARDING FASTENER TYPE & SPACING (REFERENCE INSTALLATION INSTRUCTIONS FOR MIN. FASTENER REQUIREMENTS)
3. FLASHINGS TO BE FASTENED AT 20" O.C. MAX. FOR STEEL AND 16" O.C. MAX. FOR ALUMINUM. SEE INSTALLATION INSTRUCTIONS FOR FLASHING INSTALLATION NOTES.



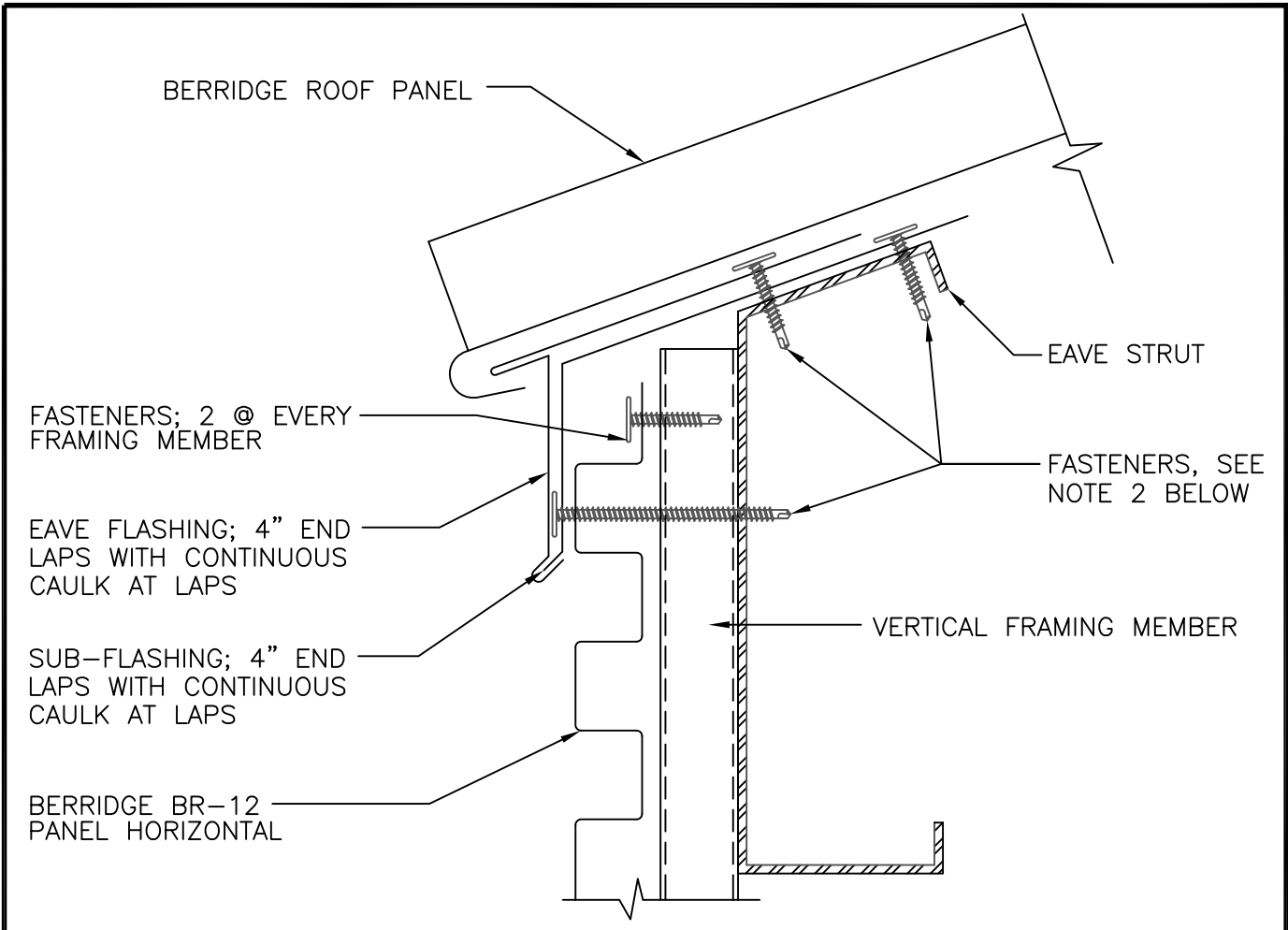
**Berridge**  
Manufacturing  
Company

*Roofs of Distinction*

**EAVE DETAIL  
SOLID SHEATHING  
BR-12 PANEL**

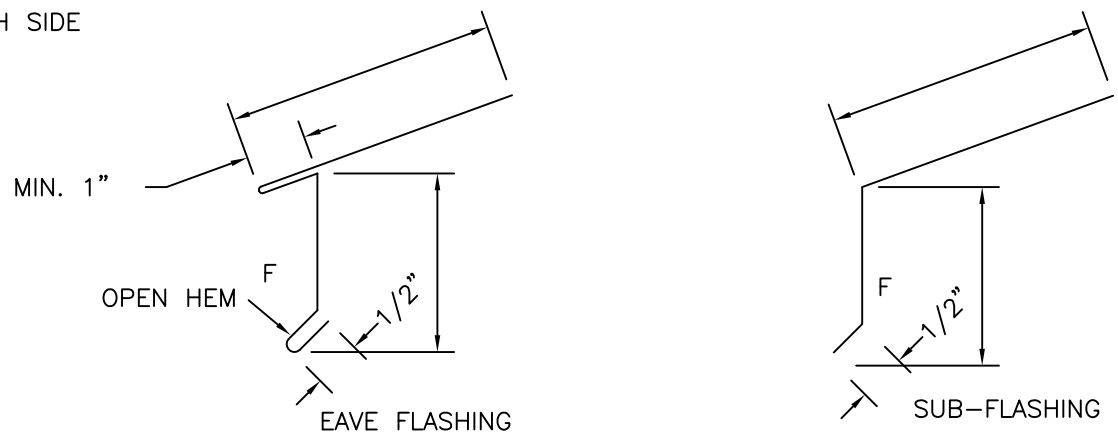
DATE: 1/23/19

PAGE\FILE  
BR-11



1. REFERENCE BERRIDGE'S WEB SITE FOR APPROVED UNDERLAYMENT AND CAULK TYPES CONSULT BERRIDGE MANUFACTURING'S ENGINEERING DEPARTMENT REGARDING FASTENER TYPE & SPACING (REFERENCE INSTALLATION INSTRUCTIONS FOR MIN. FASTENER REQUIREMENTS)
2. FLASHINGS TO BE FASTENED AT 20" O.C. MAX. FOR STEEL AND 16" O.C. MAX. FOR ALUMINUM. SEE INSTALLATION INSTRUCTIONS FOR FLASHING INSTALLATION NOTES.

F = FINISH SIDE



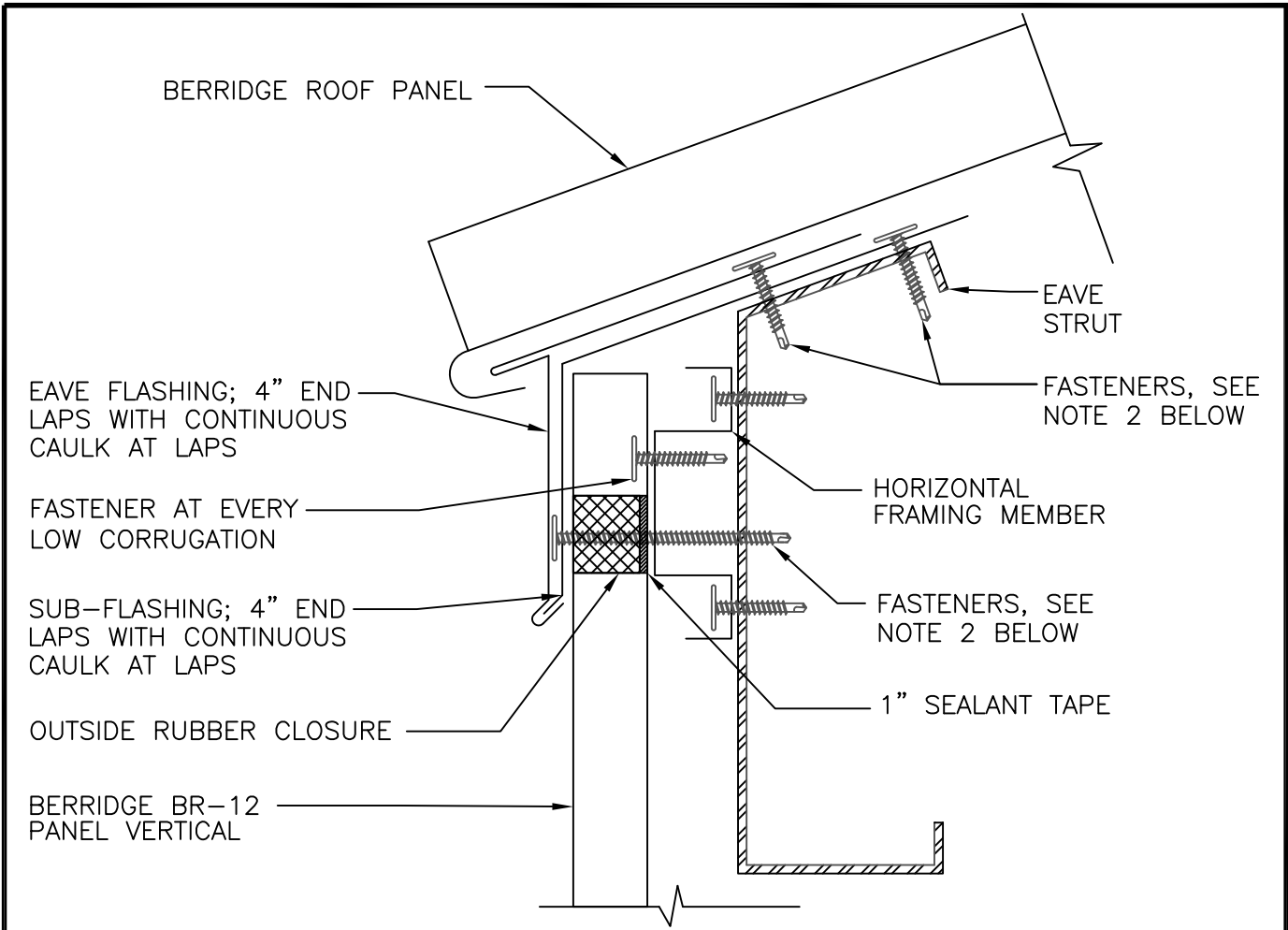
**Berridge**  
Manufacturing  
Company

*Roofs of Distinction*

**EAVE DETAIL  
OPEN FRAMING  
BR-12 PANEL**

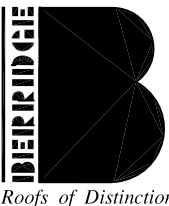
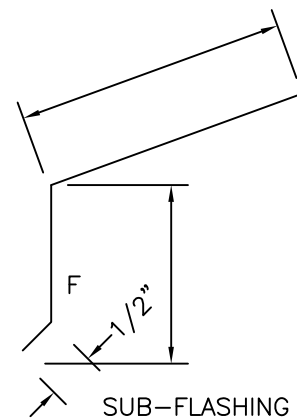
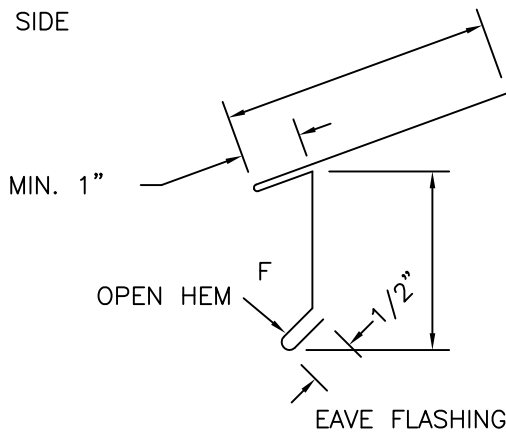
DATE: 1/23/19

PAGE\FILE  
**BR-12**



1. REFERENCE BERRIDGE'S WEB SITE FOR APPROVED UNDERLAYMENT AND CAULK TYPES CONSULT BERRIDGE MANUFACTURING'S ENGINEERING DEPARTMENT REGARDING FASTENER TYPE & SPACING (REFERENCE INSTALLATION INSTRUCTIONS FOR MIN. FASTENER REQUIREMENTS)
2. FLASHINGS TO BE FASTENED AT 20" O.C. MAX. FOR STEEL AND 16" O.C. MAX. FOR ALUMINUM. SEE INSTALLATION INSTRUCTIONS FOR FLASHING INSTALLATION NOTES.

F = FINISH SIDE

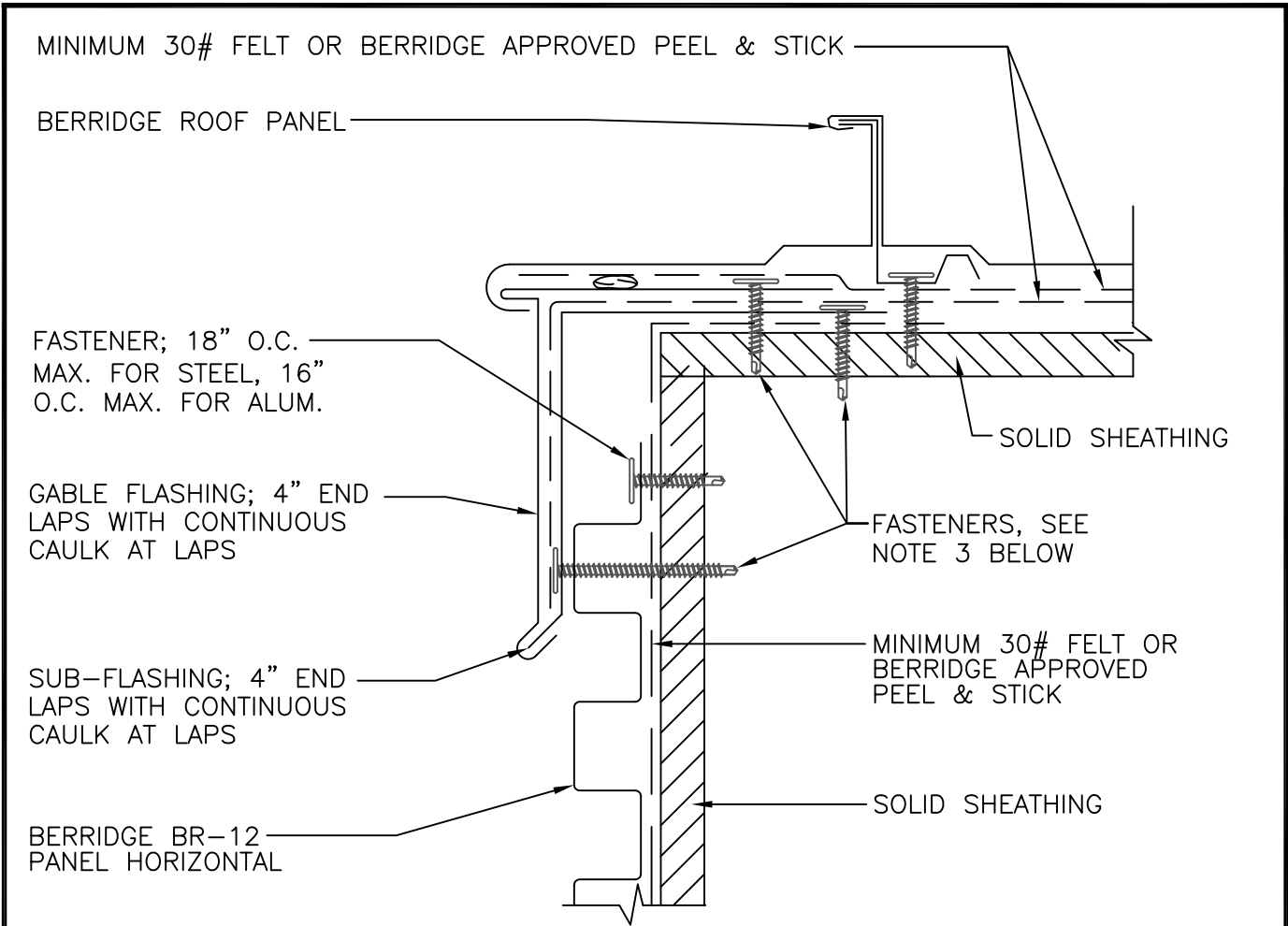


Berridge  
Manufacturing  
Company

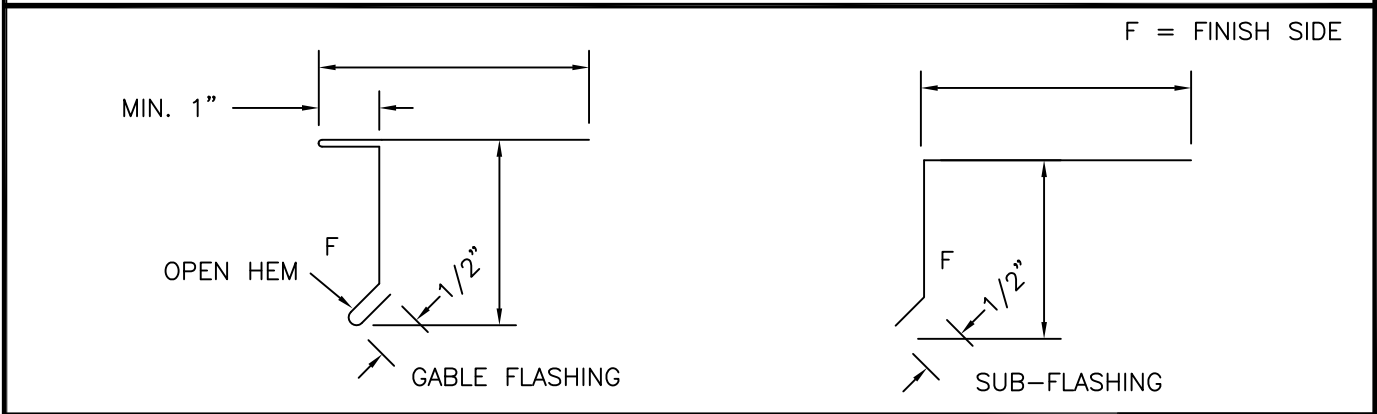
EAVE DETAIL  
OPEN FRAMING  
BR-12 PANEL

DATE: 1/23/19

PAGE\FILE  
BR-13



1. SOLID SHEATHING (BY OTHERS) TO MEET ENGINEERING AND ARCHITECTURAL SPECIFICATIONS MINIMUM REQUIREMENTS REFERENCE INSTALLATION INSTRUCTIONS
2. REFERENCE BERRIDGE'S WEB SITE FOR APPROVED UNDERLAYMENT AND CAULK TYPES CONSULT BERRIDGE MANUFACTURING'S ENGINEERING DEPARTMENT REGARDING FASTENER TYPE & SPACING (REFERENCE INSTALLATION INSTRUCTIONS FOR MIN. FASTENER REQUIREMENTS)
3. FLASHINGS TO BE FASTENED AT 20" O.C. MAX. FOR STEEL AND 16" O.C. MAX. FOR ALUMINUM. SEE INSTALLATION INSTRUCTIONS FOR FLASHING INSTALLATION NOTES.



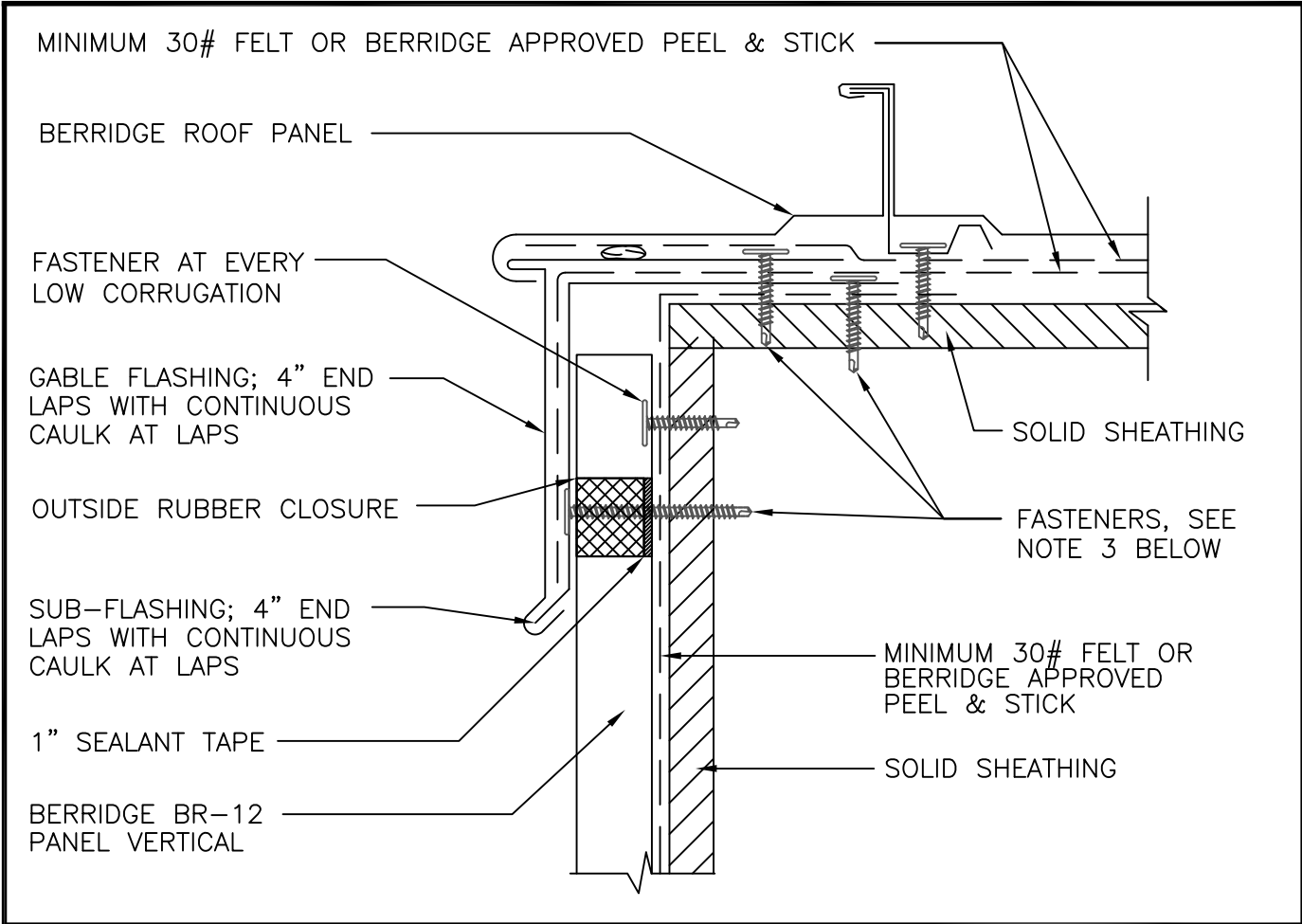
**BERRIDGE**  
 Manufacturing  
 Company

*Roofs of Distinction*

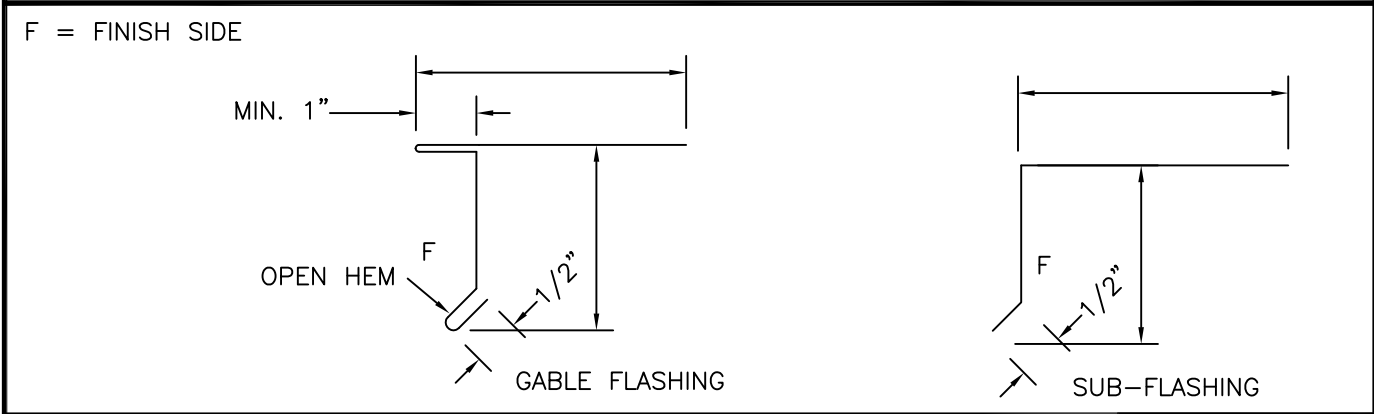
**GABLE DETAIL  
 SOLID SHEATHING  
 BR-12 PANEL**

DATE: 1/23/19

PAGE\FILE  
 BR-20



1. SOLID SHEATHING (BY OTHERS) TO MEET ENGINEERING AND ARCHITECTURAL SPECIFICATIONS  
MINIMUM REQUIREMENTS REFERENCE INSTALLATION INSTRUCTIONS
2. REFERENCE BERRIDGE'S WEB SITE FOR APPROVED UNDERLAYMENT AND CAULK TYPES  
CONSULT BERRIDGE MANUFACTURING'S ENGINEERING DEPARTMENT REGARDING FASTENER  
TYPE & SPACING (REFERENCE INSTALLATION INSTRUCTIONS FOR MIN. FASTENER REQUIREMENTS)
3. FLASHINGS TO BE FASTENED AT 20" O.C. MAX. FOR STEEL AND 16" O.C. MAX. FOR  
ALUMINUM. SEE INSTALLATION INSTRUCTIONS FOR FLASHING INSTALLATION NOTES.



**BERRIDGE**  
Manufacturing  
Company

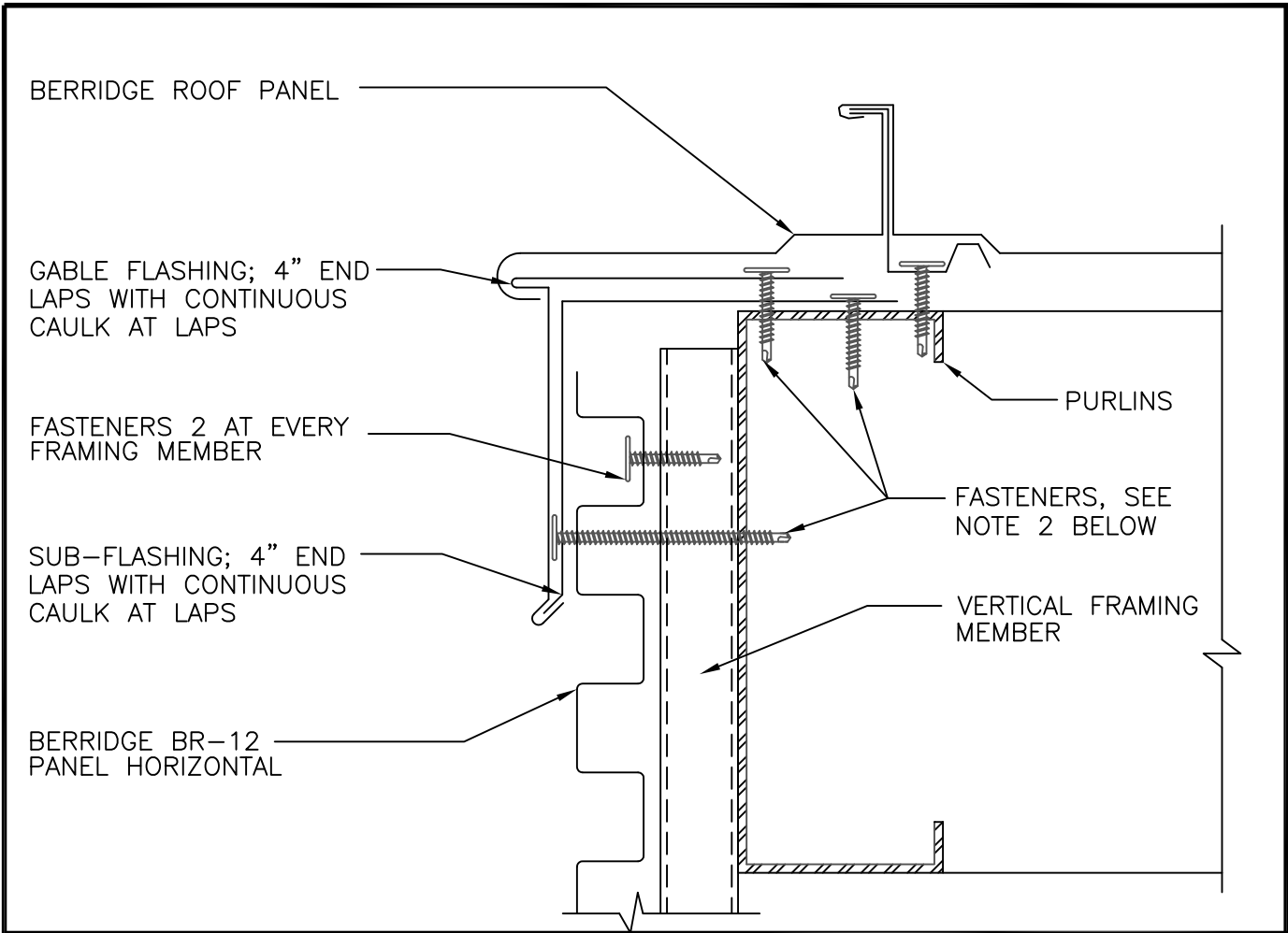
*Roofs of Distinction*

**GABLE DETAIL  
SOLID SHEATHING  
BR-12 PANEL**

DATE: 1/23/19

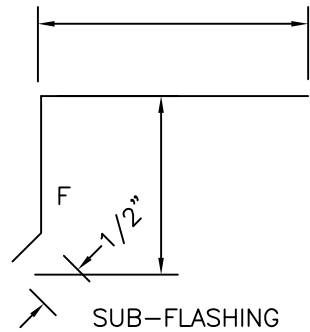
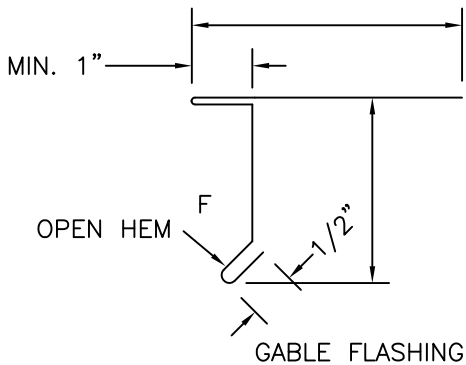
PAGE\FILE  
BR-21





1. REFERENCE BERRIDGE'S WEB SITE FOR APPROVED UNDERLAYMENT AND CAULK TYPES CONSULT BERRIDGE MANUFACTURING'S ENGINEERING DEPARTMENT REGARDING FASTENER TYPE & SPACING (REFERENCE INSTALLATION INSTRUCTIONS FOR MIN. FASTENER REQUIREMENTS)
2. FLASHINGS TO BE FASTENED AT 20" O.C. MAX. FOR STEEL AND 16" O.C. MAX. FOR ALUMINUM. SEE INSTALLATION INSTRUCTIONS FOR FLASHING INSTALLATION NOTES.

F = FINISH SIDE

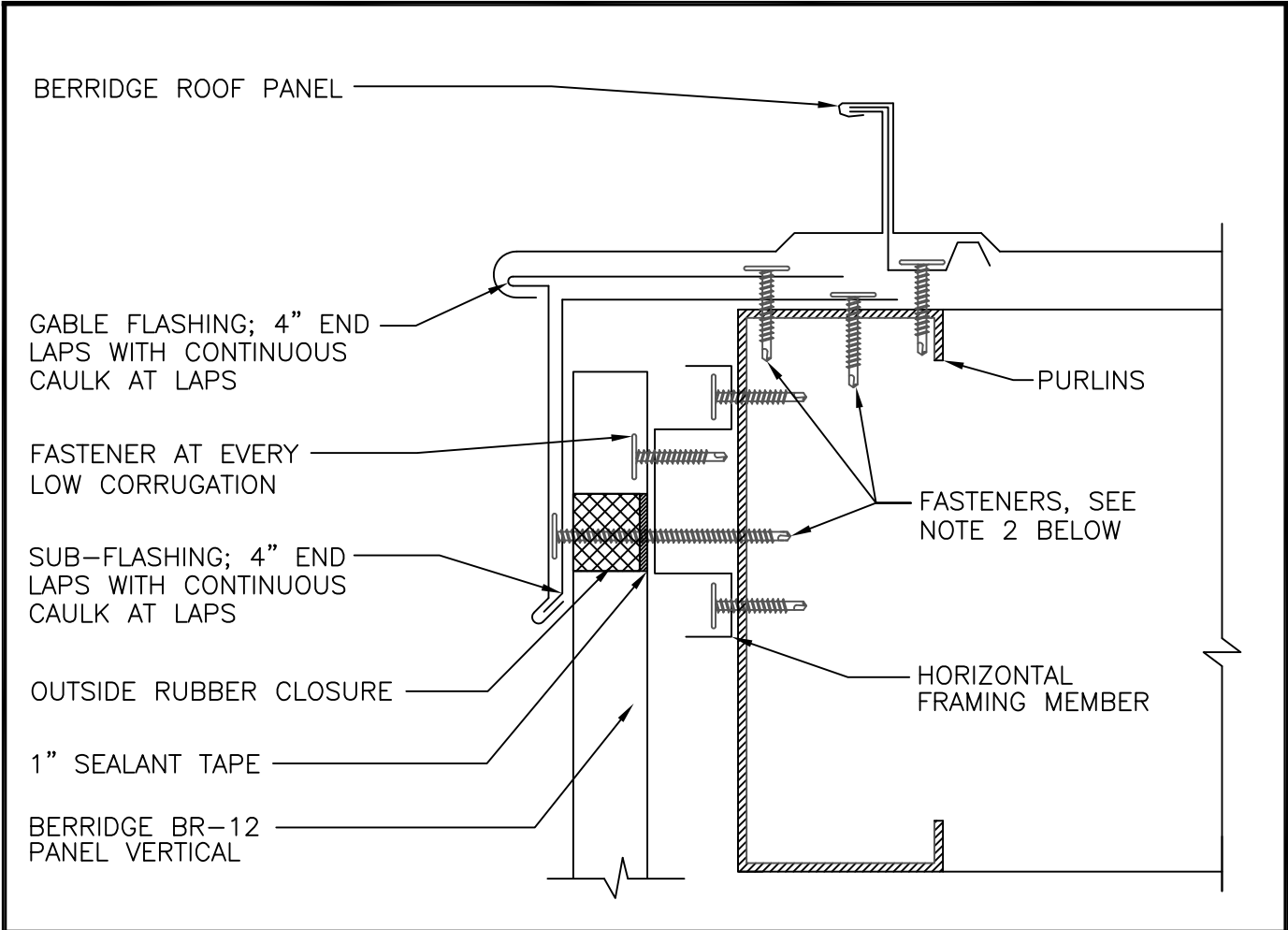


Berridge Manufacturing Company

**GABLE DETAIL  
OPEN FRAMING  
BR-12 PANEL**

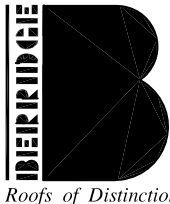
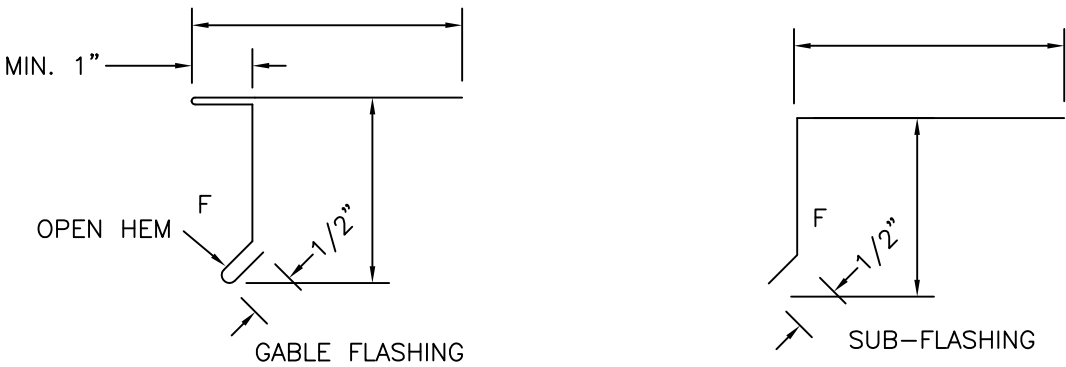
DATE: 1/23/19

PAGE\FILE  
BR-22



1. REFERENCE BERRIDGE'S WEB SITE FOR APPROVED UNDERLAYMENT AND CAULK TYPES CONSULT BERRIDGE MANUFACTURING'S ENGINEERING DEPARTMENT REGARDING FASTENER TYPE & SPACING (REFERENCE INSTALLATION INSTRUCTIONS FOR MIN. FASTENER REQUIREMENTS)
2. FLASHINGS TO BE FASTENED AT 20" O.C. MAX. FOR STEEL AND 16" O.C. MAX. FOR ALUMINUM. SEE INSTALLATION INSTRUCTIONS FOR FLASHING INSTALLATION NOTES.

F = FINISH SIDE



Berridge  
Manufacturing  
Company

GABLE DETAIL  
OPEN FRAMING  
BR-12 PANEL

DATE: 1/23/19

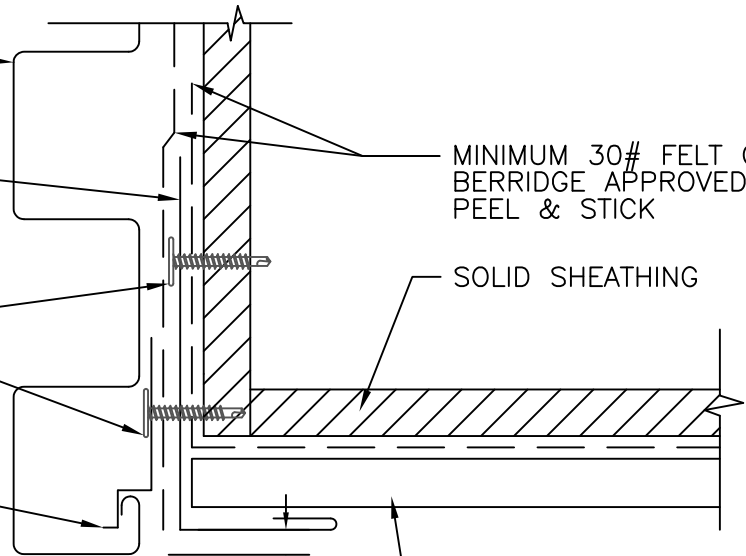
PAGE\FILE  
BR-23

BERRIDGE BR-12  
PANEL HORIZONTAL

SOFFIT ANGLE 4" END  
LAPS WITH CONTINUOUS  
CAULK AT LAPS

FASTENERS, SEE  
NOTE 3 BELOW

CONTINUOUS STARTER CLEAT



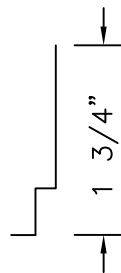
MINIMUM 30# FELT OR  
BERRIDGE APPROVED  
PEEL & STICK

SOLID SHEATHING

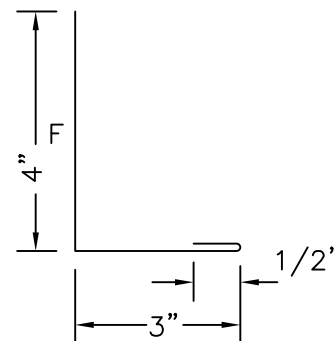
BERRIDGE  
SOFFIT PANEL

1. SOLID SHEATHING (BY OTHERS) TO MEET ENGINEERING AND ARCHITECTURAL SPECIFICATIONS  
MINIMUM REQUIREMENTS REFERENCE INSTALLATION INSTRUCTIONS
2. REFERENCE BERRIDGE'S WEB SITE FOR APPROVED UNDERLAYMENT AND CAULK TYPES  
CONSULT BERRIDGE MANUFACTURING'S ENGINEERING DEPARTMENT REGARDING FASTENER  
TYPE & SPACING (REFERENCE INSTALLATION INSTRUCTIONS FOR MIN. FASTENER REQUIREMENTS)
3. FLASHINGS TO BE FASTENED AT 20" O.C. MAX. FOR STEEL AND 16" O.C. MAX. FOR  
ALUMINUM. SEE INSTALLATION INSTRUCTIONS FOR FLASHING INSTALLATION NOTES.

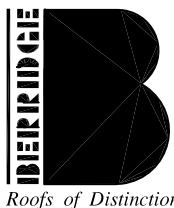
F = FINISH SIDE



STARTER CLEAT



SOFFIT ANGLE



Berridge  
Manufacturing  
Company

**FASCIA / SOFFIT DETAIL  
SOLID SHEATHING  
BR-12 PANEL**

DATE: 1/23/19

PAGE\FILE  
BR-30

BERRIDGE BR-12  
 PANEL HORIZONTAL

SOFFIT ANGLE 4" END  
 LAPS WITH CONTINUOUS  
 CAULK AT LAPS

CONTINUOUS STARTER CLEAT

DRIP FLASHING; 4" END  
 LAPS WITH CONTINUOUS  
 CAULK AT LAPS OR  
 OPTIONAL SPECIAL CHANNEL

MINIMUM 30# FELT OR  
 BERRIDGE APPROVED  
 PEEL & STICK

SOLID SHEATHING

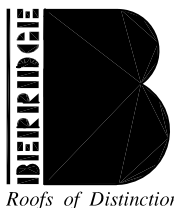
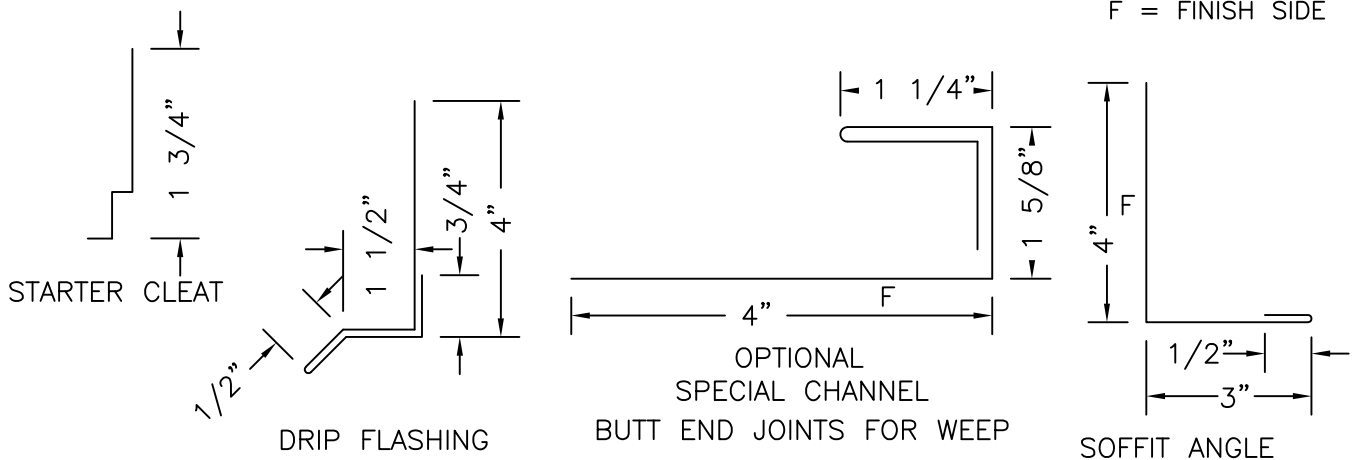
FASTENERS, SEE  
 NOTE 3 BELOW

BERRIDGE  
 SOFFIT PANEL

1/2"

1. SOLID SHEATHING (BY OTHERS) TO MEET ENGINEERING AND ARCHITECTURAL SPECIFICATIONS MINIMUM REQUIREMENTS REFERENCE INSTALLATION INSTRUCTIONS
2. REFERENCE BERRIDGE'S WEB SITE FOR APPROVED UNDERLAYMENT AND CAULK TYPES CONSULT BERRIDGE MANUFACTURING'S ENGINEERING DEPARTMENT REGARDING FASTENER TYPE & SPACING (REFERENCE INSTALLATION INSTRUCTIONS FOR MIN. FASTENER REQUIREMENTS)
3. FLASHINGS TO BE FASTENED AT 20" O.C. MAX. FOR STEEL AND 16" O.C. MAX. FOR ALUMINUM. SEE INSTALLATION INSTRUCTIONS FOR FLASHING INSTALLATION NOTES.

F = FINISH SIDE



Berridge  
 Manufacturing  
 Company

**FASCIA / SOFFIT DETAIL  
 SOLID SHEATHING  
 BR-12 PANEL**

DATE: 1/23/19

PAGE\FILE  
 BR-31

BERRIDGE BR-12  
PANEL HORIZONTAL

FASTENERS, SEE  
NOTE 3 BELOW

CONTINUOUS STARTER CLEAT

CONTINUOUS CLEAT

DRIP FLASHING; 4" END  
LAPS WITH CONTINUOUS  
CAULK AT LAPS

MINIMUM 30# FELT OR  
BERRIDGE APPROVED  
PEEL & STICK

SOLID SHEATHING

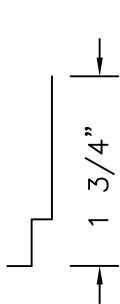
BERRIDGE  
SOFFIT PANEL

SOFFIT ANGLE; 4" END  
LAPS WITH CONTINUOUS  
CAULK AT LAPS

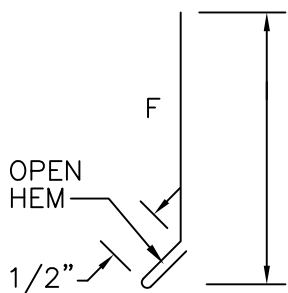
1/2"

1. SOLID SHEATHING (BY OTHERS) TO MEET ENGINEERING AND ARCHITECTURAL SPECIFICATIONS MINIMUM REQUIREMENTS REFERENCE INSTALLATION INSTRUCTIONS
2. REFERENCE BERRIDGE'S WEB SITE FOR APPROVED UNDERLAYMENT AND CAULK TYPES CONSULT BERRIDGE MANUFACTURING'S ENGINEERING DEPARTMENT REGARDING FASTENER TYPE & SPACING (REFERENCE INSTALLATION INSTRUCTIONS FOR MIN. FASTENER REQUIREMENTS)
3. FLASHINGS TO BE FASTENED AT 20" O.C. MAX. FOR STEEL AND 16" O.C. MAX. FOR ALUMINUM. SEE INSTALLATION INSTRUCTIONS FOR FLASHING INSTALLATION NOTES.

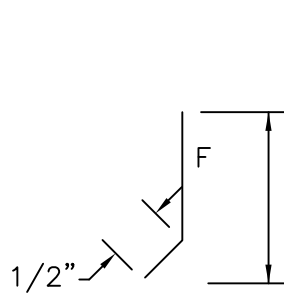
F = FINISH SIDE



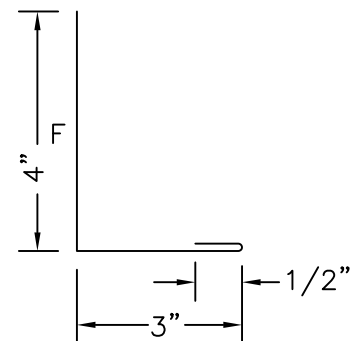
STARTER CLEAT



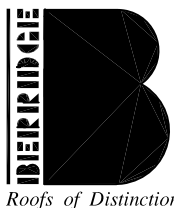
DRIP FLASHING



CONTINUOUS CLEAT



SOFFIT ANGLE



Berridge  
Manufacturing  
Company

Roofs of Distinction

**FASCIA / SOFFIT DETAIL**  
**SOLID SHEATHING**  
**BR-12 PANEL**

DATE: 1/23/19

PAGE\FILE  
BR-32

BERRIDGE BR-12  
PANEL HORIZONTAL

SOFFIT ANGLE; 4" END  
LAPS WITH CONTINUOUS  
CAULK AT LAPS

FASTENERS, SEE  
NOTE 2 BELOW

CONTINUOUS STARTER CLEAT

1/2"

FASTENERS; 2 AT  
EVERY FRAMING  
MEMBER

VERTICAL FRAMING  
MEMBER

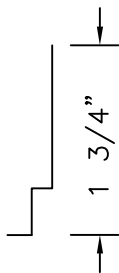
FRAMING  
MEMBER

BERRIDGE  
SOFFIT PANEL

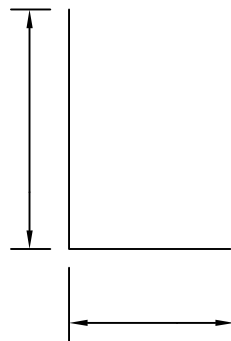
CONTINUOUS 16 GA.  
SUB FLASHING

1. REFERENCE BERRIDGE'S WEB SITE FOR APPROVED UNDERLAYMENT AND CAULK TYPES  
CONSULT BERRIDGE MANUFACTURING'S ENGINEERING DEPARTMENT REGARDING FASTENER  
TYPE & SPACING (REFERENCE INSTALLATION INSTRUCTIONS FOR MIN. FASTENER REQUIREMENTS)
2. FLASHINGS TO BE FASTENED AT 20" O.C. MAX. FOR STEEL AND 16" O.C. MAX. FOR  
ALUMINUM. SEE INSTALLATION INSTRUCTIONS FOR FLASHING INSTALLATION NOTES.

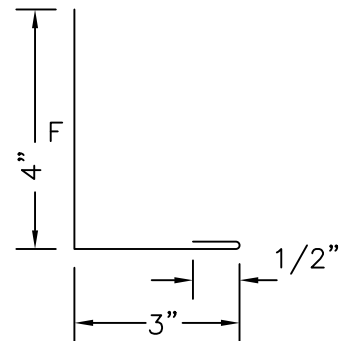
F = FINISH SIDE



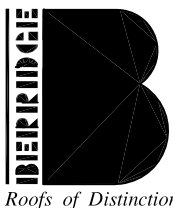
STARTER CLEAT



MIN. 16 GA. SUB FLASHING



SOFFIT ANGLE



Berridge  
Manufacturing  
Company

FASCIA / SOFFIT DETAIL  
OPEN FRAMING  
BR-12 PANEL

DATE: 1/23/19

PAGE\FILE  
BR-33

BERRIDGE BR-12  
 PANEL VERTICAL

SOFFIT ANGLE; 4" END  
 LAPS WITH CONTINUOUS  
 CAULK AT LAPS

FASTENERS AT PANEL  
 FASTENER LEG

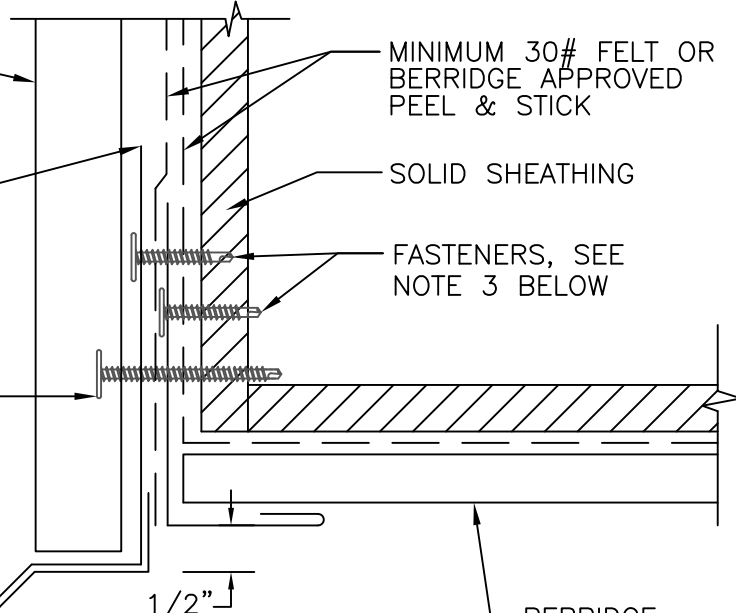
DRIP FLASHING; 4" END  
 LAPS WITH CONTINUOUS  
 CAULK AT LAPS OR  
 OPTIONAL SPECIAL CHANNEL

MINIMUM 30# FELT OR  
 BERRIDGE APPROVED  
 PEEL & STICK

SOLID SHEATHING

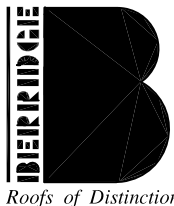
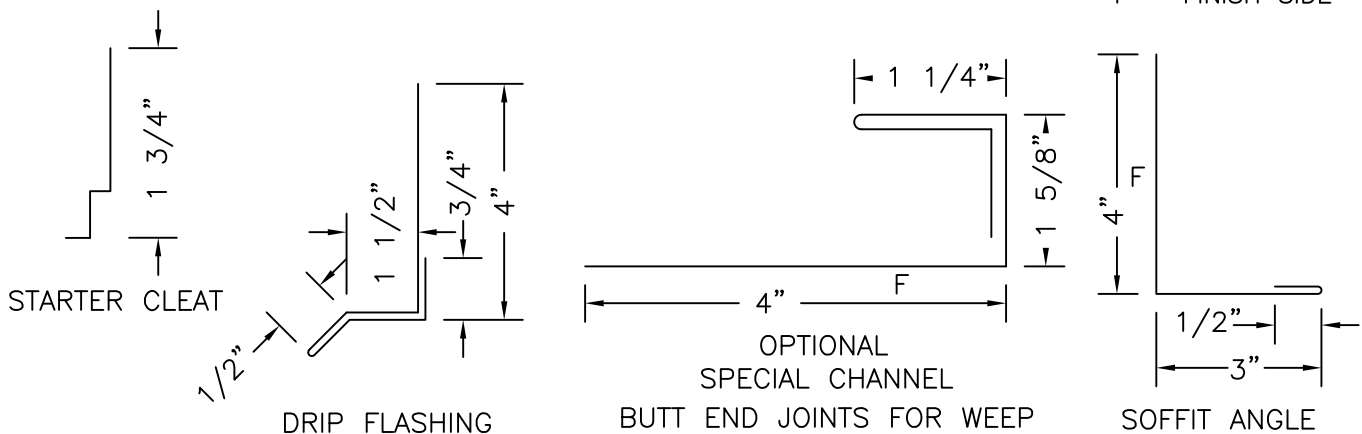
FASTENERS, SEE  
 NOTE 3 BELOW

BERRIDGE  
 SOFFIT PANEL



1. SOLID SHEATHING (BY OTHERS) TO MEET ENGINEERING AND ARCHITECTURAL SPECIFICATIONS MINIMUM REQUIREMENTS REFERENCE INSTALLATION INSTRUCTIONS
2. REFERENCE BERRIDGE'S WEB SITE FOR APPROVED UNDERLAYMENT AND CAULK TYPES CONSULT BERRIDGE MANUFACTURING'S ENGINEERING DEPARTMENT REGARDING FASTENER TYPE & SPACING (REFERENCE INSTALLATION INSTRUCTIONS FOR MIN. FASTENER REQUIREMENTS)
3. FLASHINGS TO BE FASTENED AT 20" O.C. MAX. FOR STEEL AND 16" O.C. MAX. FOR ALUMINUM. SEE INSTALLATION INSTRUCTIONS FOR FLASHING INSTALLATION NOTES.

F = FINISH SIDE



Berridge  
 Manufacturing  
 Company

**FASCIA / SOFFIT DETAIL  
 SOLID SHEATHING  
 BR-12 PANEL**

DATE: 1/23/19

PAGE\FILE  
 BR-34

BERRIDGE BR-12  
PANEL VERTICAL

FASTENERS, SEE  
NOTE 2 BELOW

FASTENERS AT PANEL  
FASTENER LEG

FASTENERS, SEE  
NOTE 2 BELOW

DRIP FLASHING; 4" END  
LAPS WITH CONTINUOUS  
CAULK AT LAPS

CONTINUOUS 16 GA.  
SUB-FLASHING

HORIZONTAL FRAMING  
MEMBER

FRAMING  
MEMBER

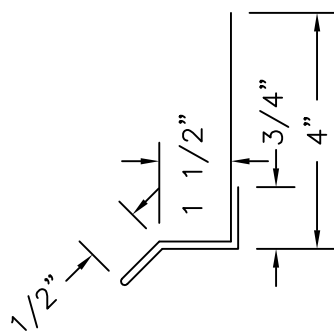
BERRIDGE  
SOFFIT PANEL

SOFFIT ANGLE 4" END  
LAPS WITH CONTINUOUS  
CAULK AT LAPS

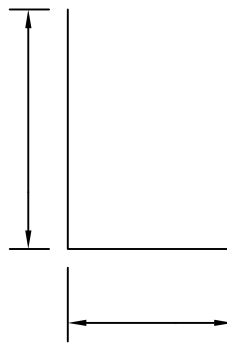
1/2"

1. REFERENCE BERRIDGE'S WEB SITE FOR APPROVED UNDERLAYMENT AND CAULK TYPES  
CONSULT BERRIDGE MANUFACTURING'S ENGINEERING DEPARTMENT REGARDING FASTENER  
TYPE & SPACING (REFERENCE INSTALLATION INSTRUCTIONS FOR MIN. FASTENER REQUIREMENTS)
2. FLASHINGS TO BE FASTENED AT 20" O.C. MAX. FOR STEEL AND 16" O.C. MAX. FOR  
ALUMINUM. SEE INSTALLATION INSTRUCTIONS FOR FLASHING INSTALLATION NOTES.

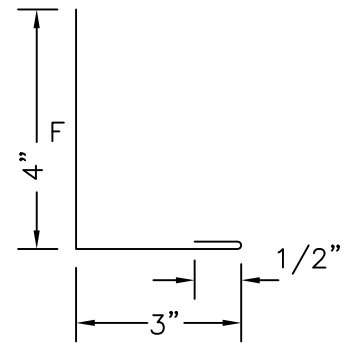
F = FINISH SIDE



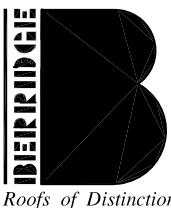
DRIP FLASHING



MIN. 16 GA. SUB FLASHING



SOFFIT ANGLE



Berridge  
Manufacturing  
Company

**FASCIA / SOFFIT DETAIL  
OPEN FRAMING  
BR-12 PANEL**

DATE: 1/23/19

PAGE\FILE  
BR-35



MINIMUM 30# FELT OR BERRIDGE APPROVED PEEL & STICK

BERRIDGE SOFFIT PANEL

POP RIVET  
20" O.C.

SOFFIT ANGLE; 4" END  
LAPS WITH CONTINUOUS  
CAULK AT LAPS

CONTINUOUS CLEAT

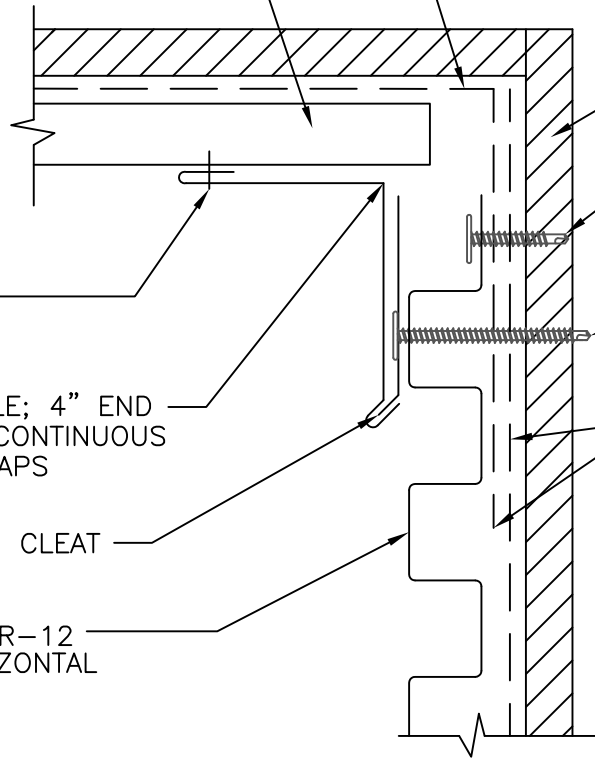
BERRIDGE BR-12  
PANEL HORIZONTAL

SOLID SHEATHING

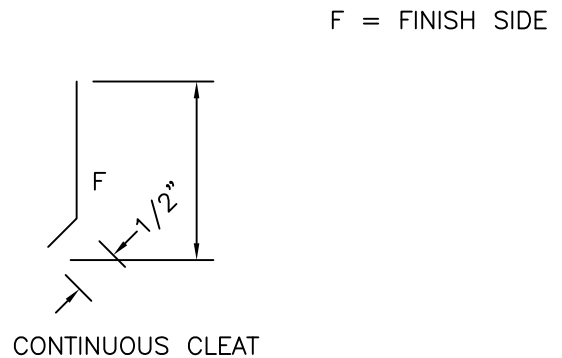
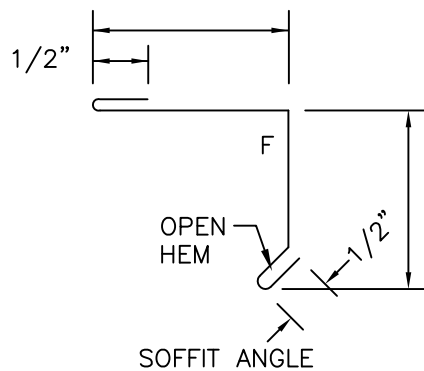
FASTENER; 18" O.C.  
MAX. FOR STEEL, 16"  
O.C. MAX. FOR ALUM.

FASTENERS, SEE  
NOTE 3 BELOW

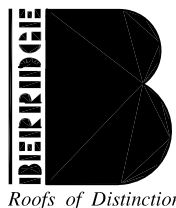
MINIMUM 30# FELT OR  
BERRIDGE APPROVED  
PEEL & STICK



1. SOLID SHEATHING (BY OTHERS) TO MEET ENGINEERING AND ARCHITECTURAL SPECIFICATIONS MINIMUM REQUIREMENTS REFERENCE INSTALLATION INSTRUCTIONS
2. REFERENCE BERRIDGE'S WEB SITE FOR APPROVED UNDERLAYMENT AND CAULK TYPES CONSULT BERRIDGE MANUFACTURING'S ENGINEERING DEPARTMENT REGARDING FASTENER TYPE & SPACING (REFERENCE INSTALLATION INSTRUCTIONS FOR MIN. FASTENER REQUIREMENTS)
3. FLASHINGS TO BE FASTENED AT 20" O.C. MAX. FOR STEEL AND 16" O.C. MAX. FOR ALUMINUM. SEE INSTALLATION INSTRUCTIONS FOR FLASHING INSTALLATION NOTES.



F = FINISH SIDE



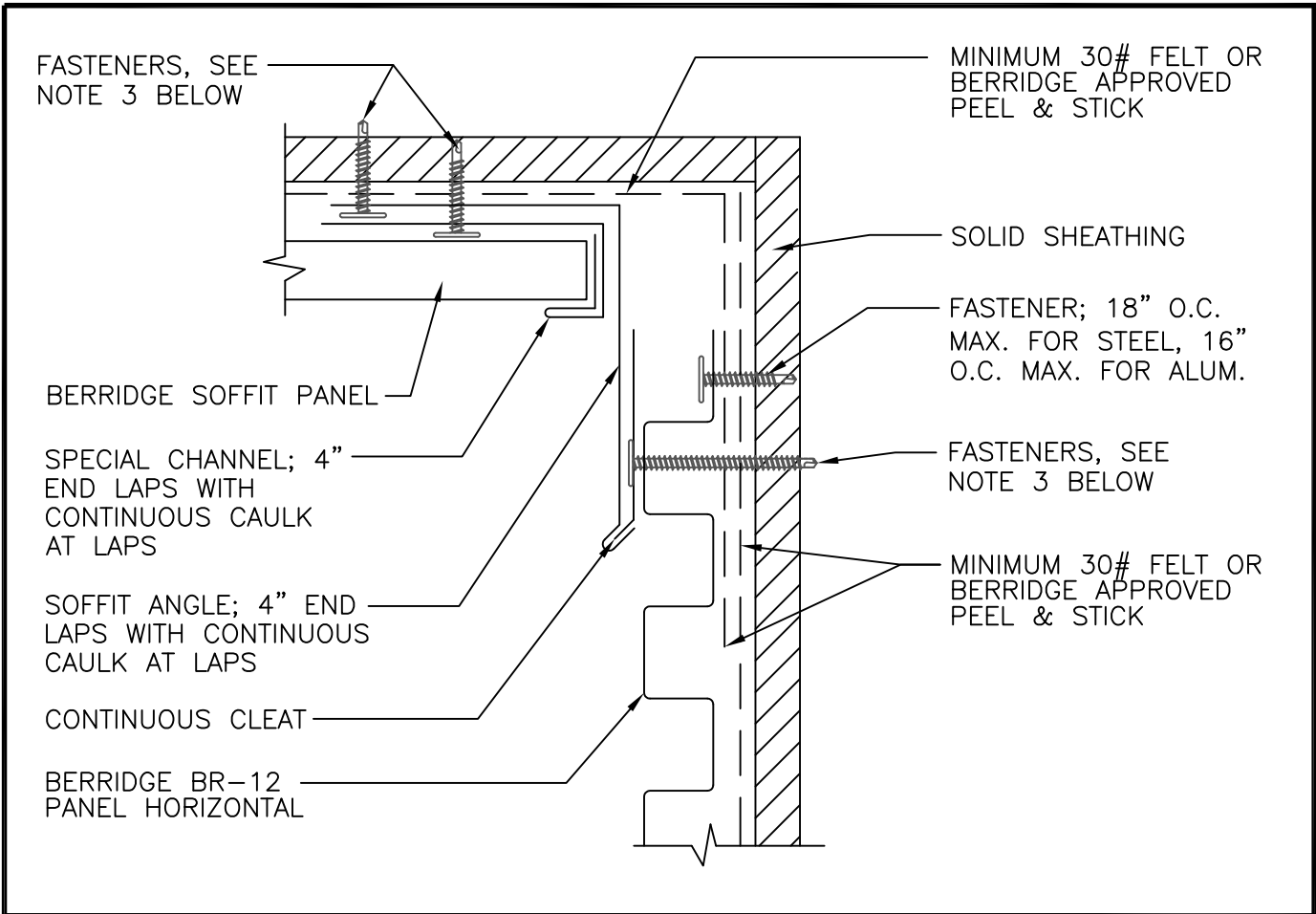
Berridge  
Manufacturing  
Company

Roofs of Distinction

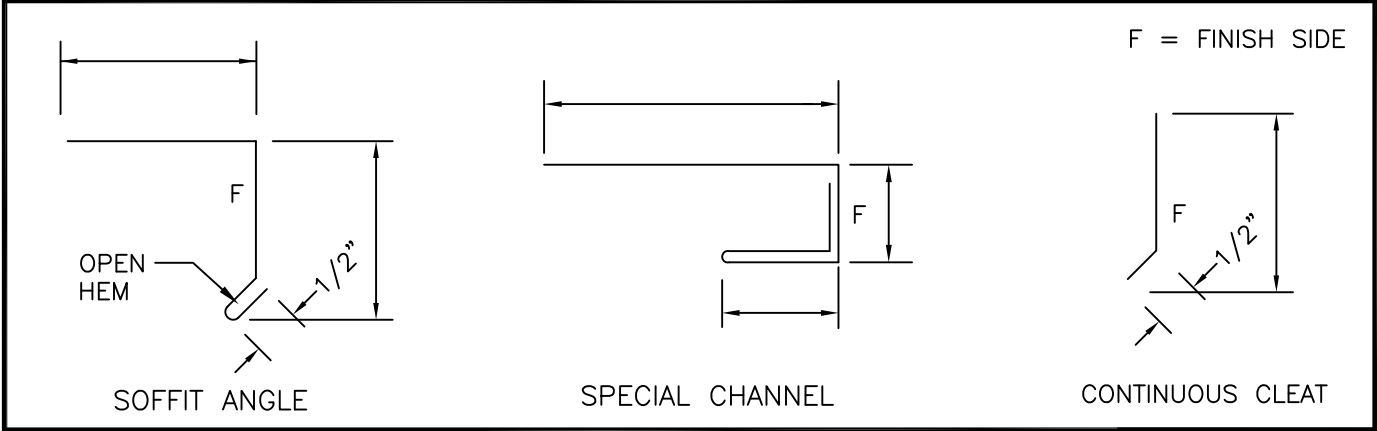
**WALL / SOFFIT DETAIL**  
**SOLID SHEATHING**  
**BR-12 PANEL**

DATE: 1/23/19

PAGE\FILE  
BR-40



1. SOLID SHEATHING (BY OTHERS) TO MEET ENGINEERING AND ARCHITECTURAL SPECIFICATIONS MINIMUM REQUIREMENTS REFERENCE INSTALLATION INSTRUCTIONS
2. REFERENCE BERRIDGE'S WEB SITE FOR APPROVED UNDERLAYMENT AND CAULK TYPES CONSULT BERRIDGE MANUFACTURING'S ENGINEERING DEPARTMENT REGARDING FASTENER TYPE & SPACING (REFERENCE INSTALLATION INSTRUCTIONS FOR MIN. FASTENER REQUIREMENTS)
3. FLASHINGS TO BE FASTENED AT 20" O.C. MAX. FOR STEEL AND 16" O.C. MAX. FOR ALUMINUM. SEE INSTALLATION INSTRUCTIONS FOR FLASHING INSTALLATION NOTES.



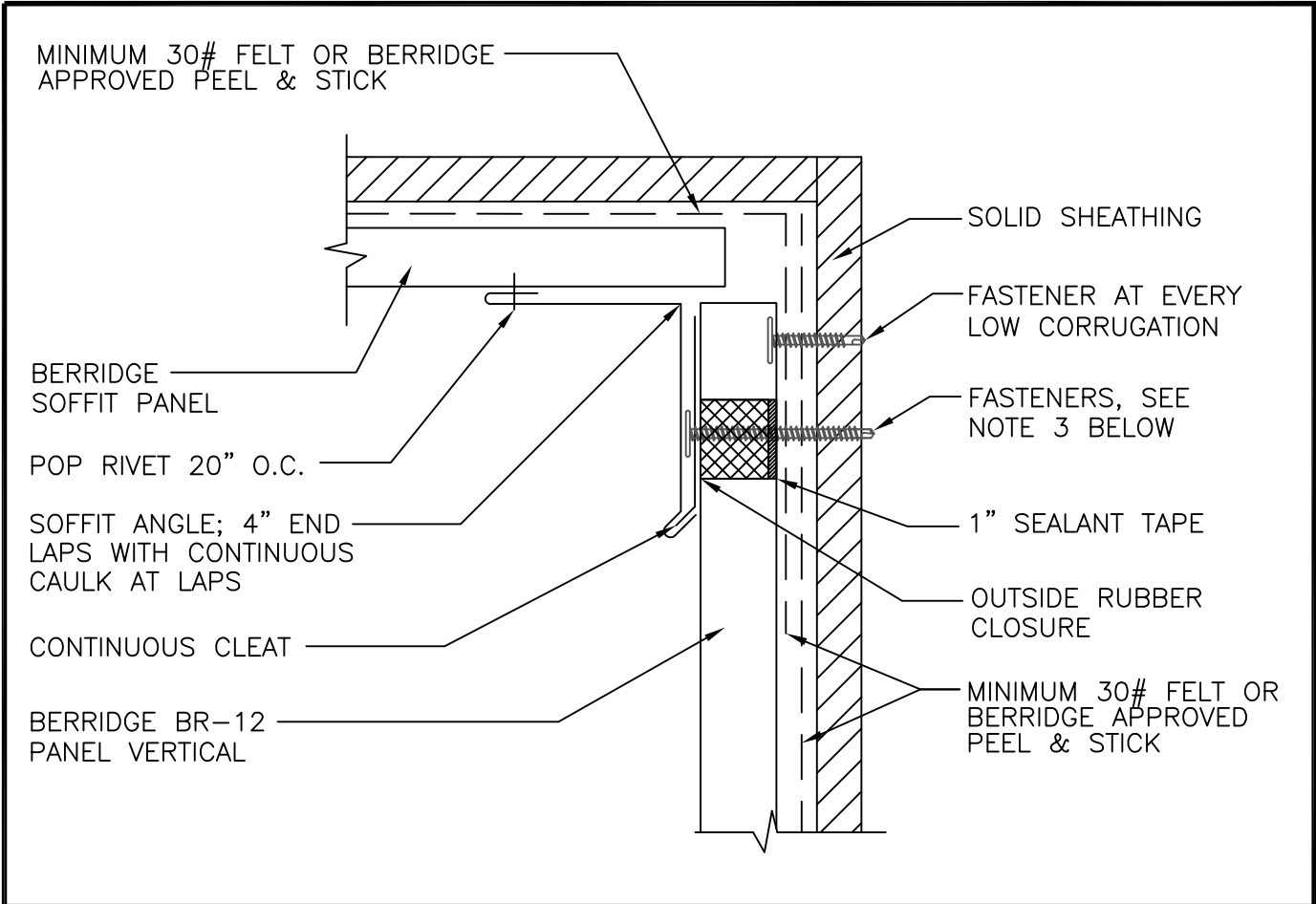
**Berridge**  
Manufacturing  
Company

*Roofs of Distinction*

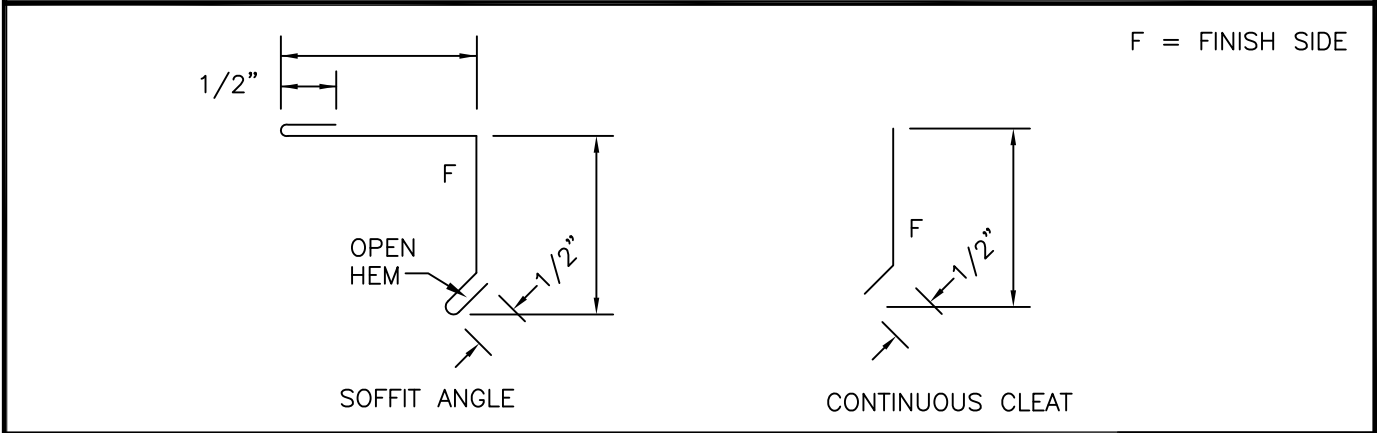
**WALL / SOFFIT DETAIL**  
**SOLID SHEATHING**  
**BR-12 PANEL**

DATE: 1/23/19

PAGE\FILE  
**BR-41**



1. SOLID SHEATHING (BY OTHERS) TO MEET ENGINEERING AND ARCHITECTURAL SPECIFICATIONS MINIMUM REQUIREMENTS REFERENCE INSTALLATION INSTRUCTIONS
2. REFERENCE BERRIDGE'S WEB SITE FOR APPROVED UNDERLAYMENT AND CAULK TYPES CONSULT BERRIDGE MANUFACTURING'S ENGINEERING DEPARTMENT REGARDING FASTENER TYPE & SPACING (REFERENCE INSTALLATION INSTRUCTIONS FOR MIN. FASTENER REQUIREMENTS)
3. FLASHINGS TO BE FASTENED AT 20" O.C. MAX. FOR STEEL AND 16" O.C. MAX. FOR ALUMINUM. SEE INSTALLATION INSTRUCTIONS FOR FLASHING INSTALLATION NOTES.




**Berridge**  
Manufacturing  
Company

*Roofs of Distinction*

**WALL / SOFFIT DETAIL  
SOLID SHEATHING  
BR-12 PANEL**

DATE: 1/23/19

PAGE\FILE  
BR-42

FASTENERS, SEE  
NOTE 2 BELOW

FRAMING MEMBER

BERRIDGE SOFFIT PANEL

POP RIVET 20" O.C.

SOFFIT ANGLE; 4" END  
LAPS WITH CONTINUOUS  
CAULK AT LAPS

CONTINUOUS CLEAT

BERRIDGE BR-12  
PANEL HORIZONTAL

CONTINUOUS 16  
GA. SUB FLASHING

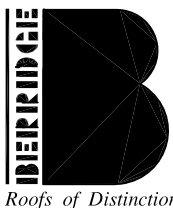
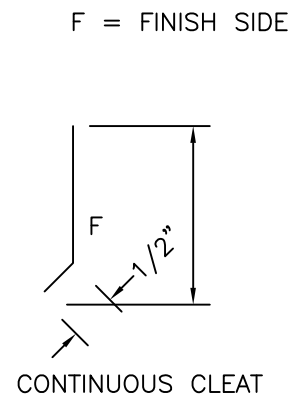
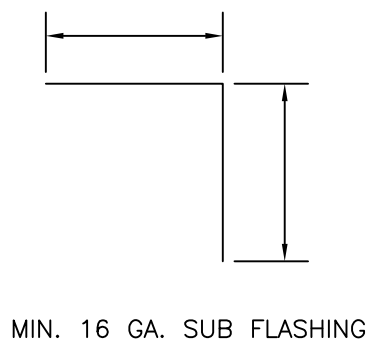
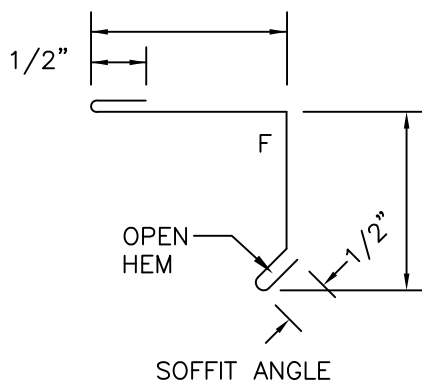
FASTENER; 18" O.C.  
MAX. FOR STEEL, 16"  
O.C. MAX. FOR ALUM.

FASTENERS, SEE  
NOTE 2 BELOW

FASTENERS; 2 AT  
EVERY FRAMING  
MEMBER

VERTICAL  
FRAMING MEMBER

1. REFERENCE BERRIDGE'S WEB SITE FOR APPROVED UNDERLAYMENT AND CAULK TYPES  
CONSULT BERRIDGE MANUFACTURING'S ENGINEERING DEPARTMENT REGARDING FASTENER  
TYPE & SPACING (REFERENCE INSTALLATION INSTRUCTIONS FOR MIN. FASTENER REQUIREMENTS)
2. FLASHINGS TO BE FASTENED AT 20" O.C. MAX. FOR STEEL AND 16" O.C. MAX. FOR  
ALUMINUM. SEE INSTALLATION INSTRUCTIONS FOR FLASHING INSTALLATION NOTES.

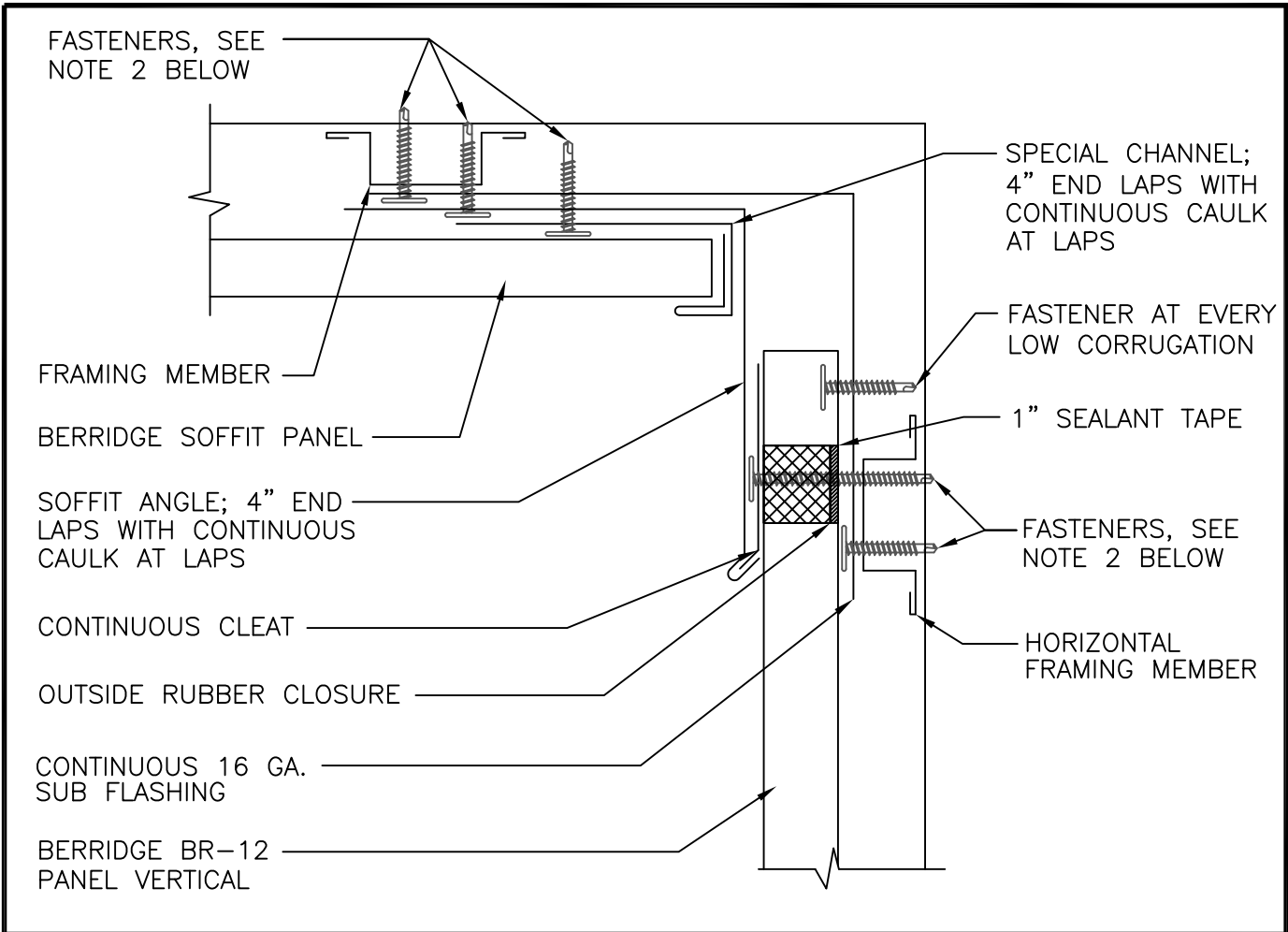


Berridge  
Manufacturing  
Company

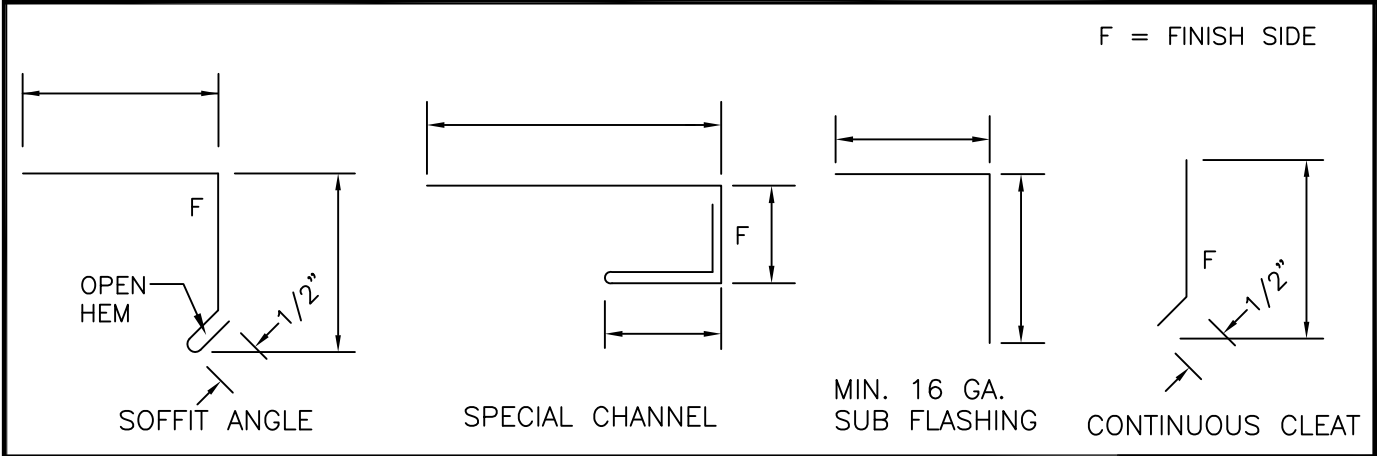
WALL / SOFFIT DETAIL  
OPEN FRAMING  
BR-12 PANEL

DATE: 1/23/19

PAGE\FILE  
BR-43



1. REFERENCE BERRIDGE'S WEB SITE FOR APPROVED UNDERLAYMENT AND CAULK TYPES CONSULT BERRIDGE MANUFACTURING'S ENGINEERING DEPARTMENT REGARDING FASTENER TYPE & SPACING (REFERENCE INSTALLATION INSTRUCTIONS FOR MIN. FASTENER REQUIREMENTS)
2. FLASHINGS TO BE FASTENED AT 20" O.C. MAX. FOR STEEL AND 16" O.C. MAX. FOR ALUMINUM. SEE INSTALLATION INSTRUCTIONS FOR FLASHING INSTALLATION NOTES.



**BERRIDGE**  
 Manufacturing  
 Company

*Roofs of Distinction*

**WALL / SOFFIT DETAIL  
 OPEN FRAMING  
 BR-12 PANEL**

DATE: 1/23/19

PAGE\FILE  
 BR-44

BERRIDGE BR-12  
PANEL HORIZONTAL

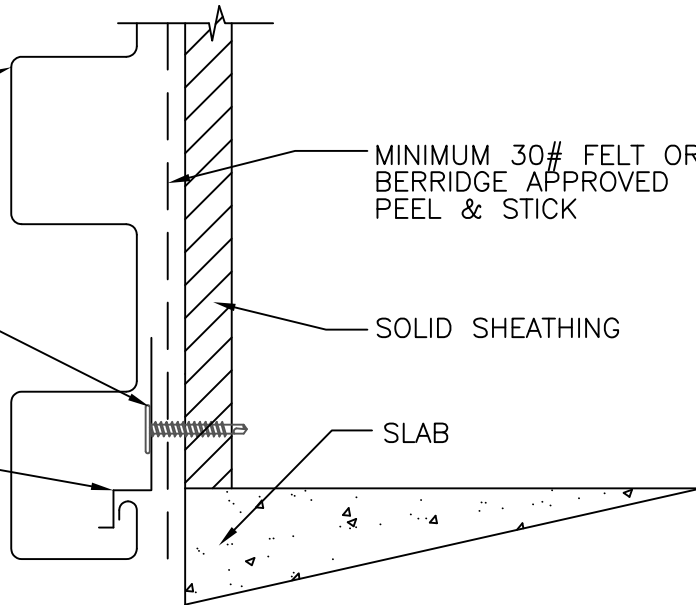
FASTENERS, SEE  
NOTE 3 BELOW

CONTINUOUS  
STARTER CLEAT

MINIMUM 30# FELT OR  
BERRIDGE APPROVED  
PEEL & STICK

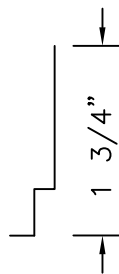
SOLID SHEATHING

SLAB

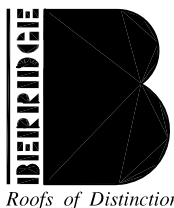


1. SOLID SHEATHING (BY OTHERS) TO MEET ENGINEERING AND ARCHITECTURAL SPECIFICATIONS  
MINIMUM REQUIREMENTS REFERENCE INSTALLATION INSTRUCTIONS
2. REFERENCE BERRIDGE'S WEB SITE FOR APPROVED UNDERLAYMENT AND CAULK TYPES  
CONSULT BERRIDGE MANUFACTURING'S ENGINEERING DEPARTMENT REGARDING FASTENER  
TYPE & SPACING (REFERENCE INSTALLATION INSTRUCTIONS FOR MIN. FASTENER REQUIREMENTS)
3. FLASHINGS TO BE FASTENED AT 20" O.C. MAX. FOR STEEL AND 16" O.C. MAX. FOR  
ALUMINUM. SEE INSTALLATION INSTRUCTIONS FOR FLASHING INSTALLATION NOTES.

F = FINISH SIDE



STARTER CLEAT



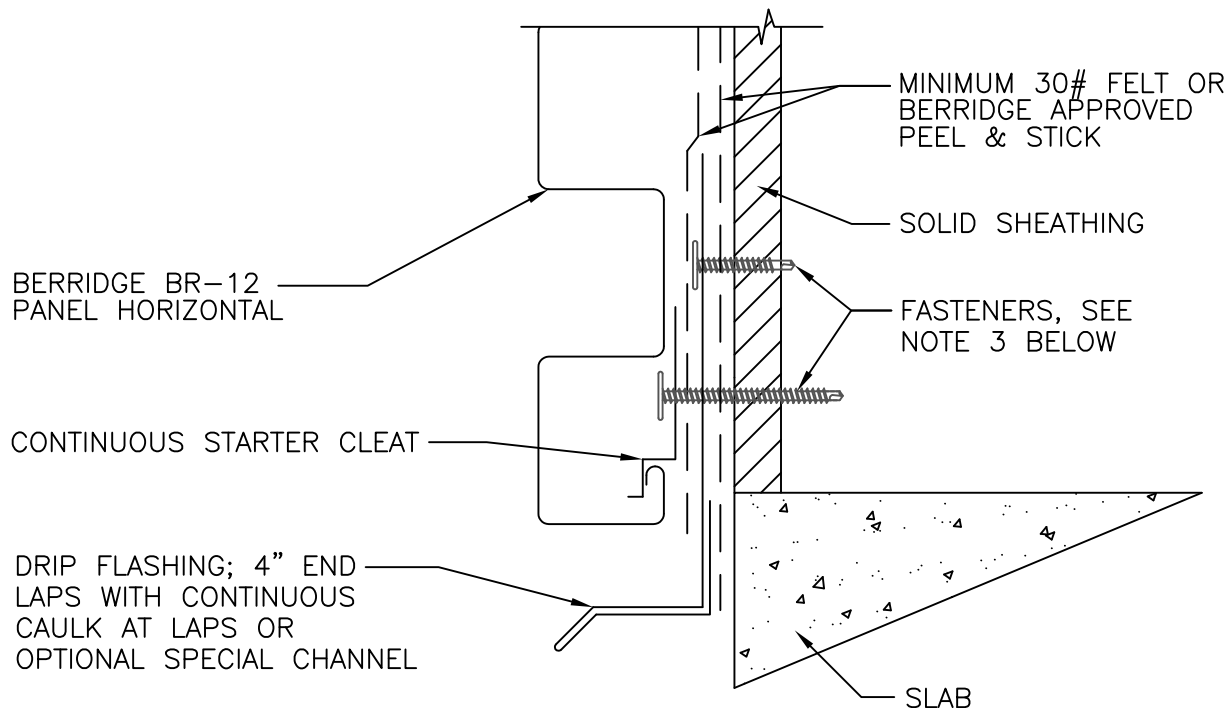
Berridge  
Manufacturing  
Company

*Roofs of Distinction*

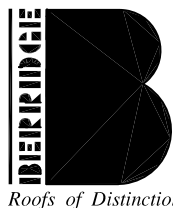
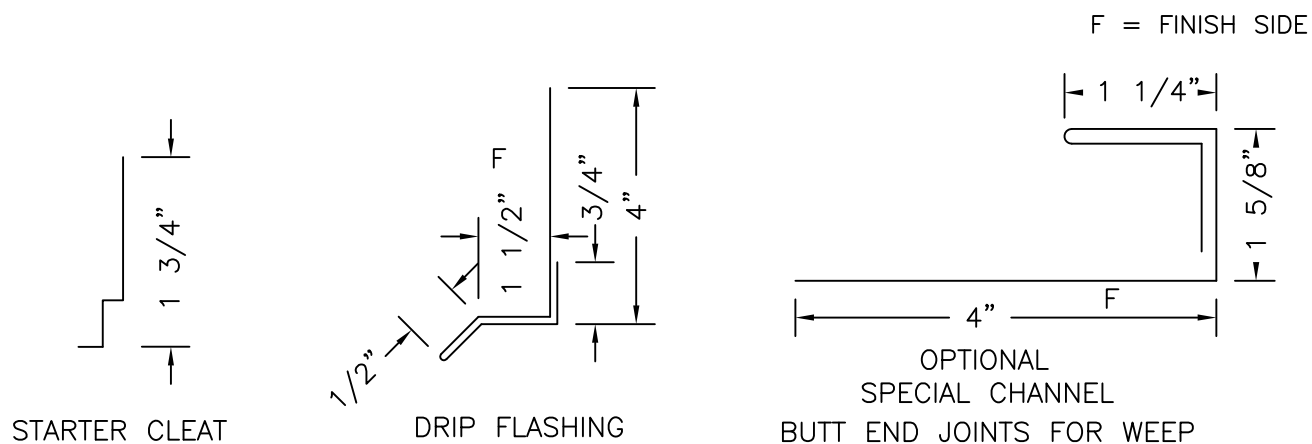
SILL AT SLAB DETAIL  
SOLID SHEATHING  
BR-12 PANEL

DATE: 1/23/19

PAGE\FILE  
BR-50



1. SOLID SHEATHING (BY OTHERS) TO MEET ENGINEERING AND ARCHITECTURAL SPECIFICATIONS MINIMUM REQUIREMENTS REFERENCE INSTALLATION INSTRUCTIONS
2. REFERENCE BERRIDGE'S WEB SITE FOR APPROVED UNDERLAYMENT AND CAULK TYPES CONSULT BERRIDGE MANUFACTURING'S ENGINEERING DEPARTMENT REGARDING FASTENER TYPE & SPACING (REFERENCE INSTALLATION INSTRUCTIONS FOR MIN. FASTENER REQUIREMENTS)
3. FLASHINGS TO BE FASTENED AT 20" O.C. MAX. FOR STEEL AND 16" O.C. MAX. FOR ALUMINUM. SEE INSTALLATION INSTRUCTIONS FOR FLASHING INSTALLATION NOTES.

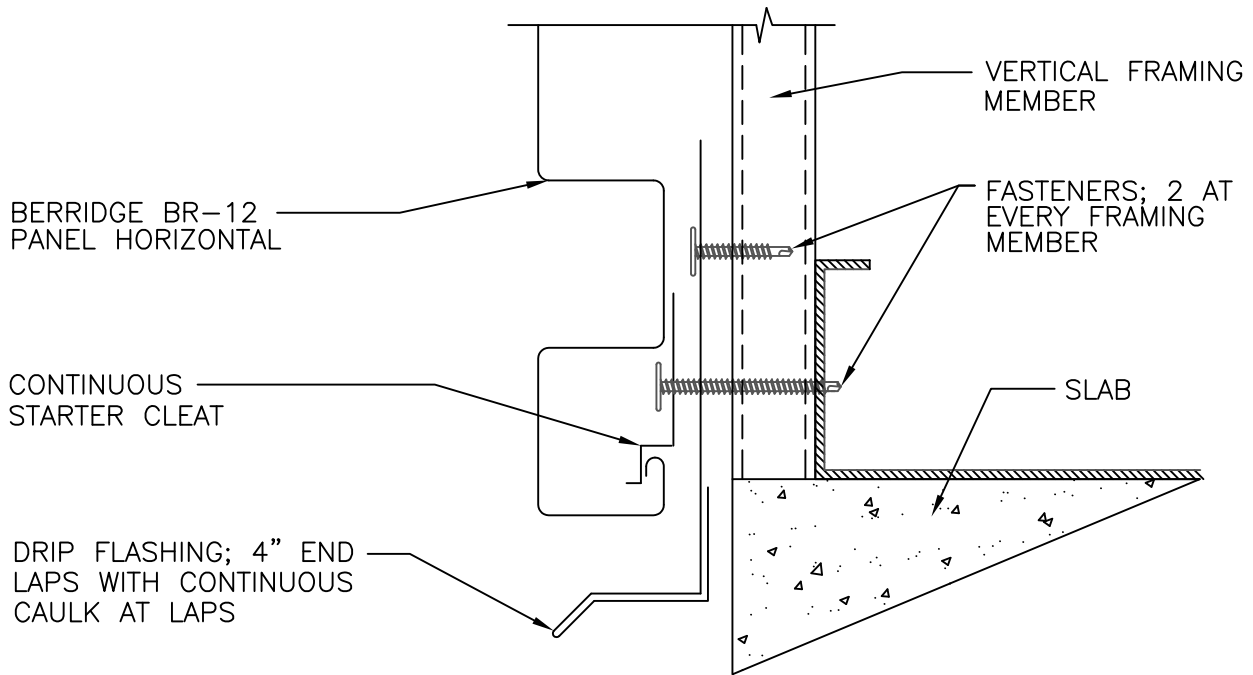


Berridge  
Manufacturing  
Company

SILL AT SLAB DETAIL  
SOLID SHEATHING  
BR-12 PANEL

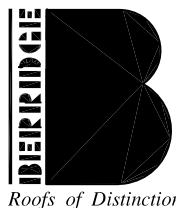
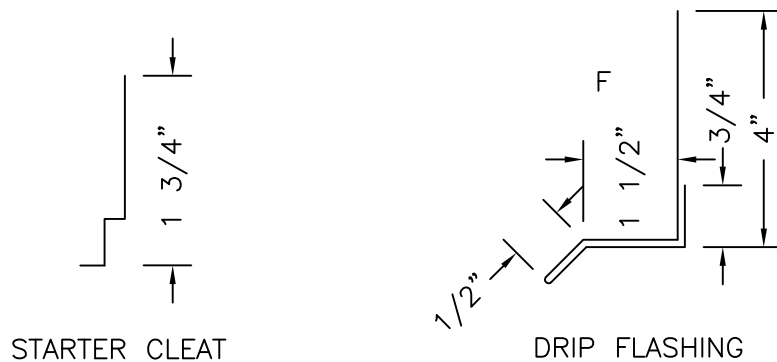
DATE: 1/23/19

PAGE\FILE  
BR-51



1. REFERENCE BERRIDGE'S WEB SITE FOR APPROVED UNDERLAYMENT AND CAULK TYPES  
CONSULT BERRIDGE MANUFACTURING'S ENGINEERING DEPARTMENT REGARDING FASTENER  
TYPE & SPACING (REFERENCE INSTALLATION INSTRUCTIONS FOR MIN. FASTENER REQUIREMENTS)

F = FINISH SIDE



Berridge  
Manufacturing  
Company

*Roofs of Distinction*

**SILL AT SLAB DETAIL  
OPEN FRAMING  
BR-12 PANEL**

DATE: 1/23/19

PAGE\FILE  
BR-52



BERRIDGE BR-12  
PANEL HORIZONTAL

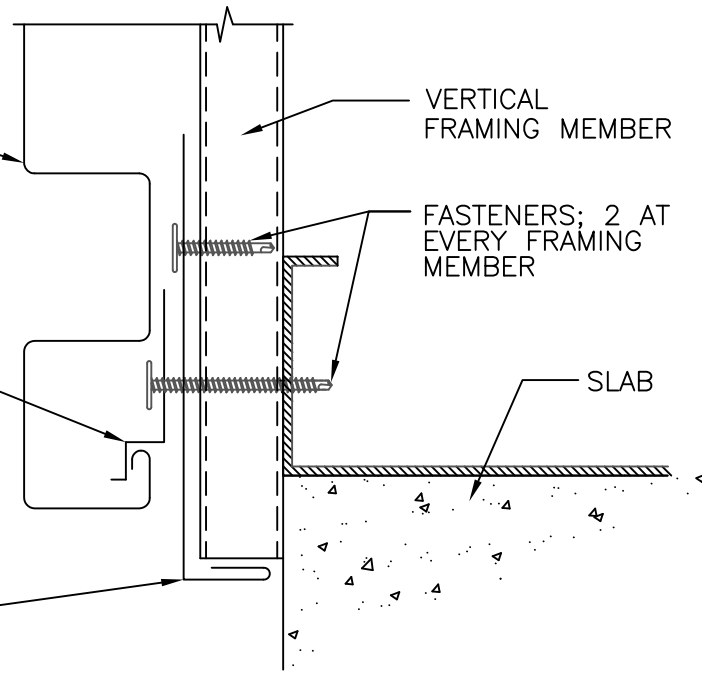
CONTINUOUS  
STARTER CLEAT

SILL ANGLE; 4" END  
LAPS WITH CONTINUOUS  
CAULK AT LAPS

VERTICAL  
FRAMING MEMBER

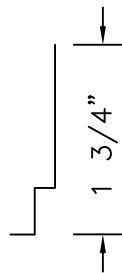
FASTENERS; 2 AT  
EVERY FRAMING  
MEMBER

SLAB

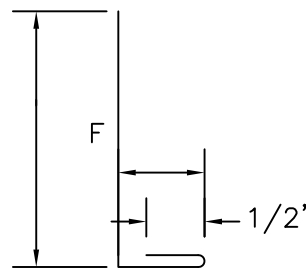


1. REFERENCE BERRIDGE'S WEB SITE FOR APPROVED UNDERLAYMENT AND CAULK TYPES  
CONSULT BERRIDGE MANUFACTURING'S ENGINEERING DEPARTMENT REGARDING FASTENER  
TYPE & SPACING (REFERENCE INSTALLATION INSTRUCTIONS FOR MIN. FASTENER REQUIREMENTS)

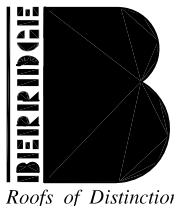
F = FINISH SIDE



STARTER CLEAT



SILL ANGLE



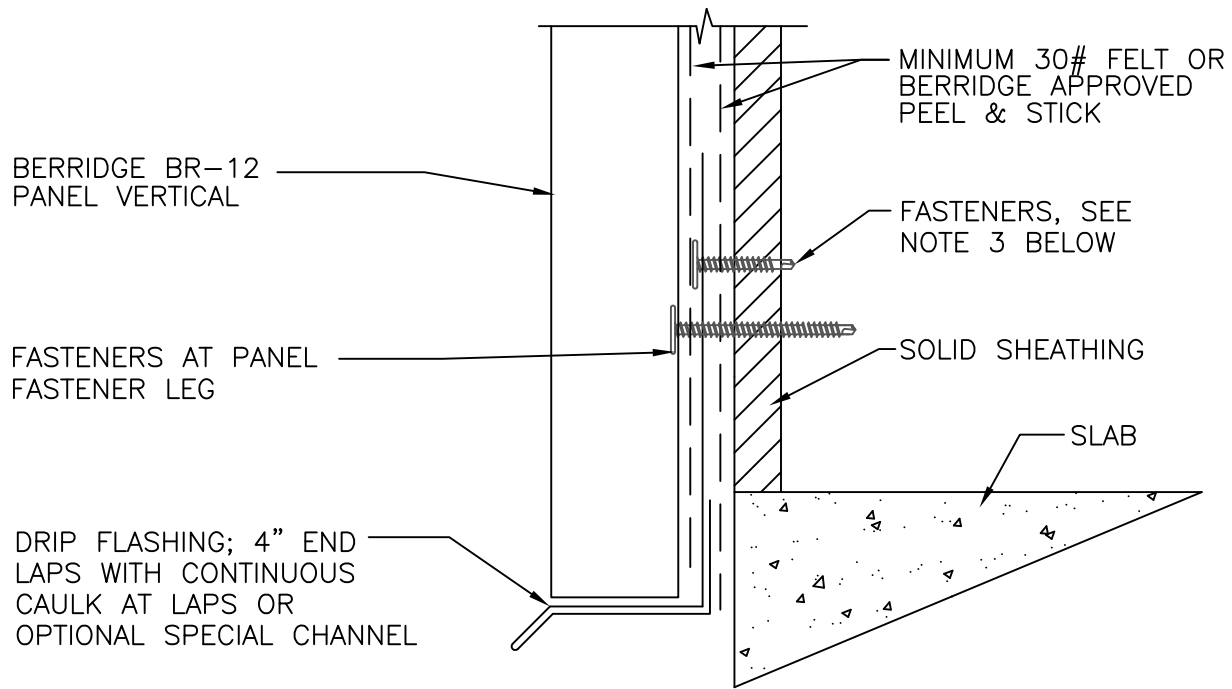
Berridge  
Manufacturing  
Company

*Roofs of Distinction*

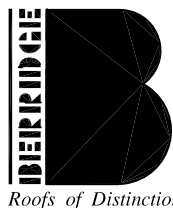
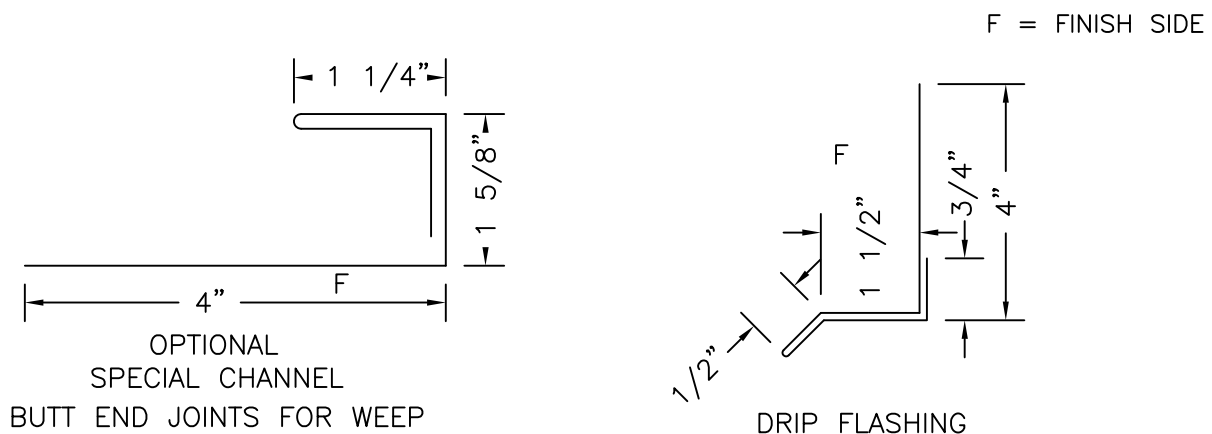
SILL AT SLAB DETAIL  
OPEN FRAMING  
BR-12 PANEL

DATE: 1/23/19

PAGE\FILE  
BR-53



1. SOLID SHEATHING (BY OTHERS) TO MEET ENGINEERING AND ARCHITECTURAL SPECIFICATIONS MINIMUM REQUIREMENTS REFERENCE INSTALLATION INSTRUCTIONS
2. REFERENCE BERRIDGE'S WEB SITE FOR APPROVED UNDERLAYMENT AND CAULK TYPES CONSULT BERRIDGE MANUFACTURING'S ENGINEERING DEPARTMENT REGARDING FASTENER TYPE & SPACING (REFERENCE INSTALLATION INSTRUCTIONS FOR MIN. FASTENER REQUIREMENTS)
3. FLASHINGS TO BE FASTENED AT 20" O.C. MAX. FOR STEEL AND 16" O.C. MAX. FOR ALUMINUM. SEE INSTALLATION INSTRUCTIONS FOR FLASHING INSTALLATION NOTES.



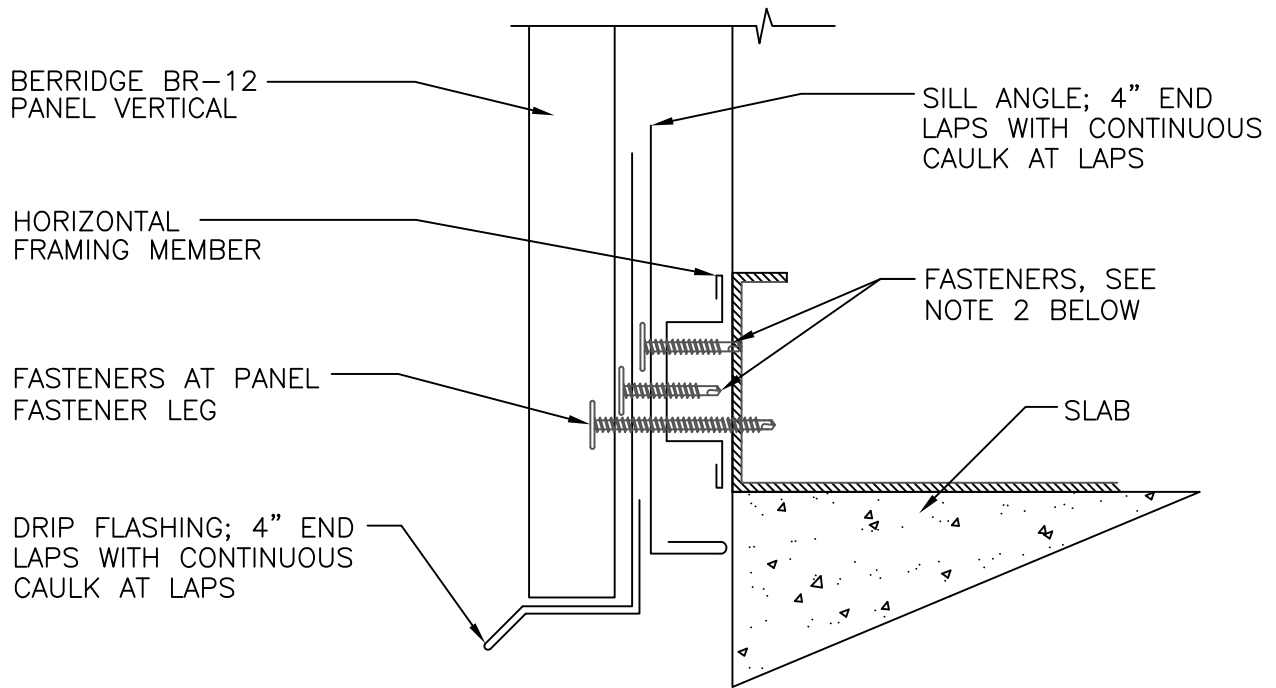
Berridge  
Manufacturing  
Company

Roofs of Distinction

**SILL AT SLAB DETAIL  
SOLID SHEATHING  
BR-12 PANEL**

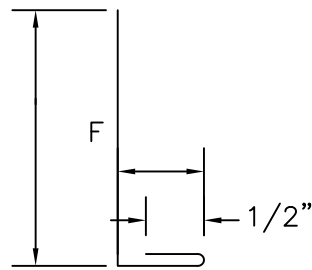
DATE: 1/23/19

PAGE\FILE  
BR-54

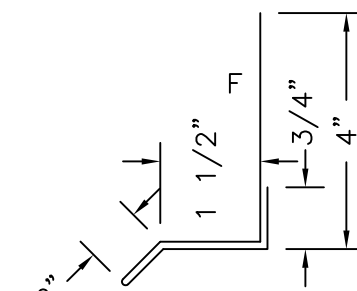


1. REFERENCE BERRIDGE'S WEB SITE FOR APPROVED UNDERLAYMENT AND CAULK TYPES CONSULT BERRIDGE MANUFACTURING'S ENGINEERING DEPARTMENT REGARDING FASTENER TYPE & SPACING (REFERENCE INSTALLATION INSTRUCTIONS FOR MIN. FASTENER REQUIREMENTS)
2. FLASHINGS TO BE FASTENED AT 20" O.C. MAX. FOR STEEL AND 16" O.C. MAX. FOR ALUMINUM. SEE INSTALLATION INSTRUCTIONS FOR FLASHING INSTALLATION NOTES.

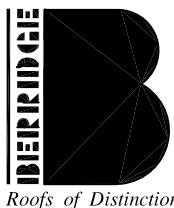
F = FINISH SIDE



SILL ANGLE



DRIP FLASHING



Berridge  
Manufacturing  
Company

SILL AT SLAB DETAIL  
OPEN FRAMING  
BR-12 PANEL

DATE: 1/23/19

PAGE\FILE  
BR-55

BERRIDGE BR-12  
PANEL VERTICAL

HORIZONTAL  
FRAMING MEMBER

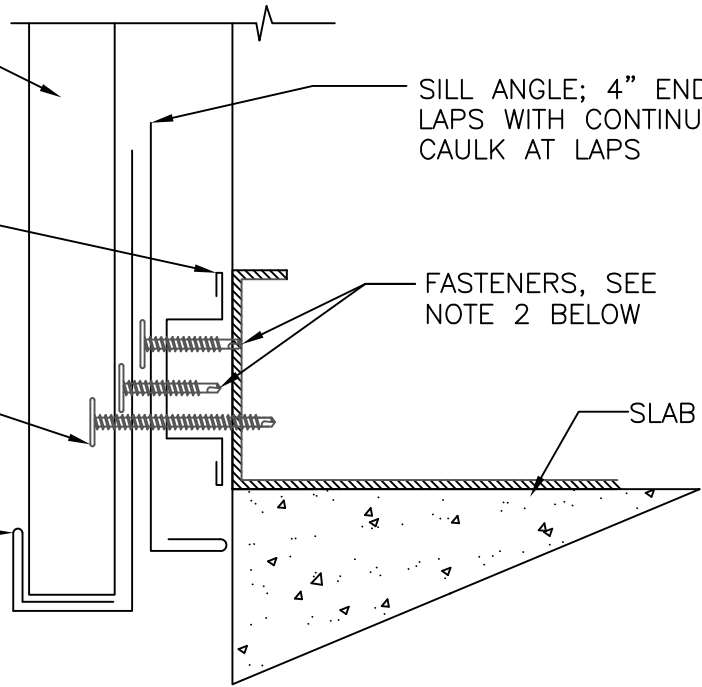
FASTENERS AT PANEL  
FASTENER LEG

SPECIAL CHANNEL;  
BUTT END JOINTS  
FOR WEEP

SILL ANGLE; 4" END  
LAPS WITH CONTINUOUS  
CAULK AT LAPS

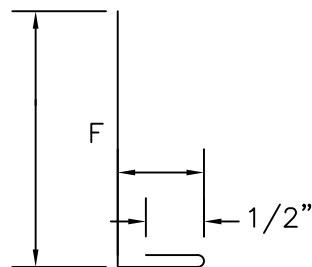
FASTENERS, SEE  
NOTE 2 BELOW

SLAB

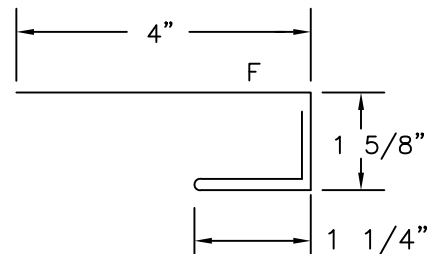


1. REFERENCE BERRIDGE'S WEB SITE FOR APPROVED UNDERLAYMENT AND CAULK TYPES CONSULT BERRIDGE MANUFACTURING'S ENGINEERING DEPARTMENT REGARDING FASTENER TYPE & SPACING (REFERENCE INSTALLATION INSTRUCTIONS FOR MIN. FASTENER REQUIREMENTS)
2. FLASHINGS TO BE FASTENED AT 20" O.C. MAX. FOR STEEL AND 16" O.C. MAX. FOR ALUMINUM. SEE INSTALLATION INSTRUCTIONS FOR FLASHING INSTALLATION NOTES.

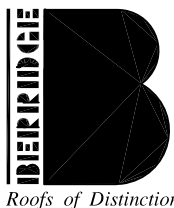
F = FINISH SIDE



SILL ANGLE



SPECIAL CHANNEL

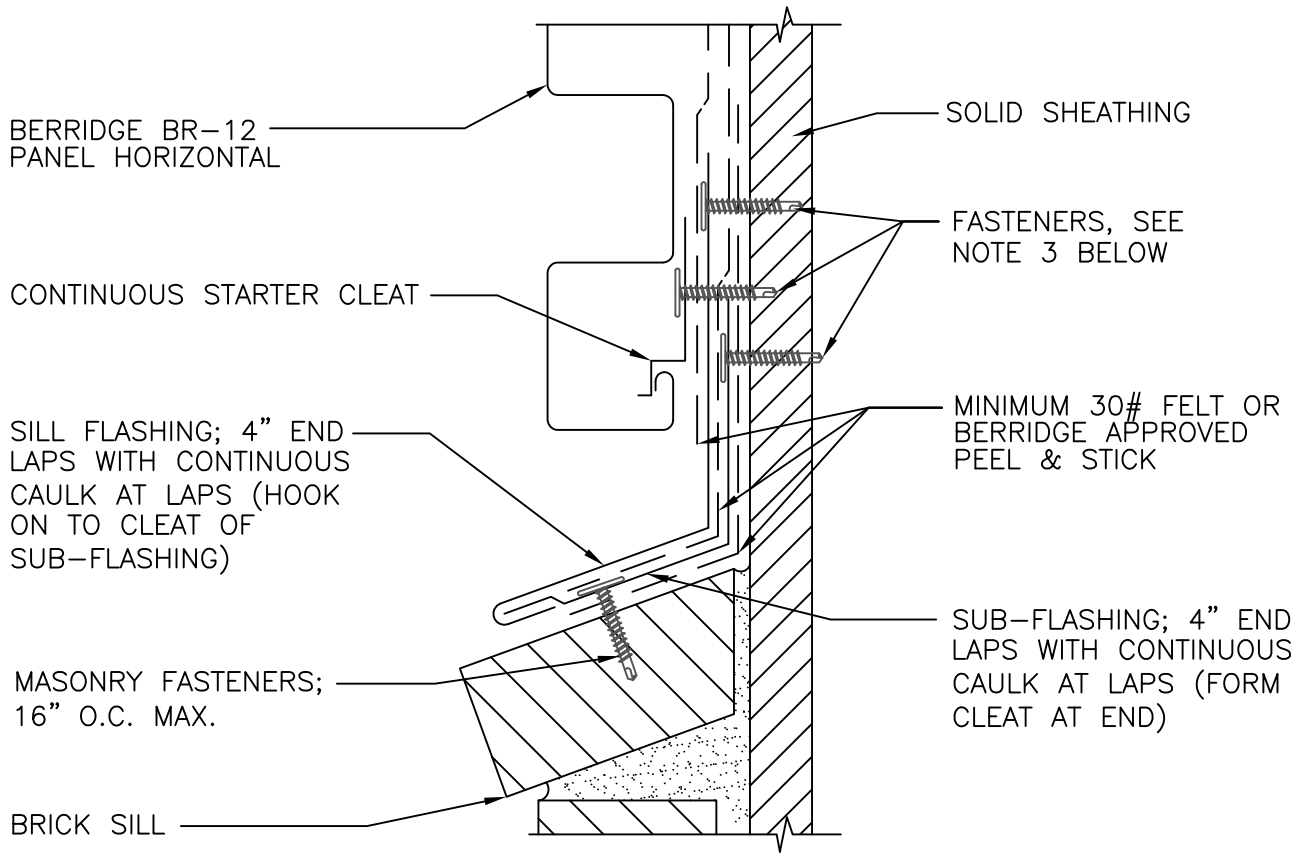


Berridge  
Manufacturing  
Company

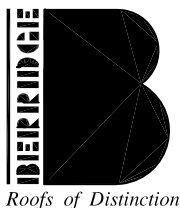
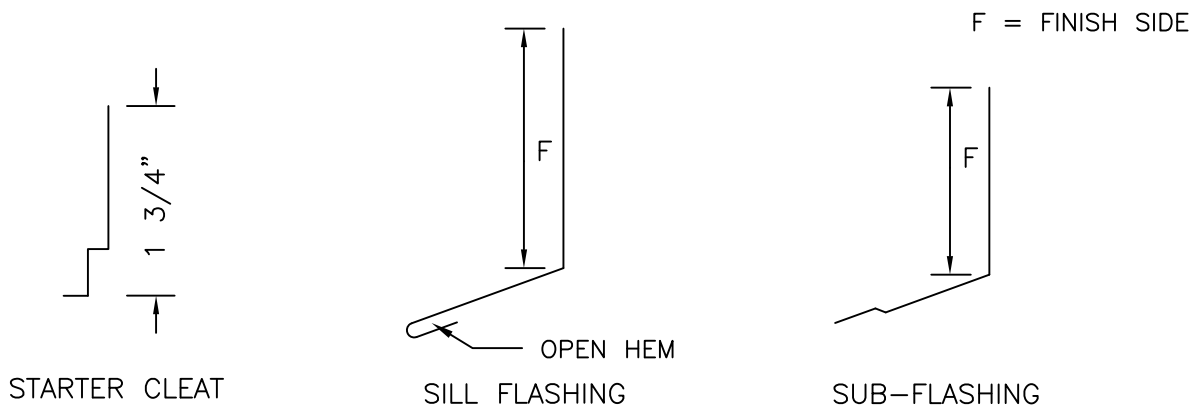
SILL AT SLAB DETAIL  
OPEN FRAMING  
BR-12 PANEL

DATE: 1/23/19

PAGE\FILE  
BR-56



1. SOLID SHEATHING (BY OTHERS) TO MEET ENGINEERING AND ARCHITECTURAL SPECIFICATIONS MINIMUM REQUIREMENTS REFERENCE INSTALLATION INSTRUCTIONS
2. REFERENCE BERRIDGE'S WEB SITE FOR APPROVED UNDERLAYMENT AND CAULK TYPES CONSULT BERRIDGE MANUFACTURING'S ENGINEERING DEPARTMENT REGARDING FASTENER TYPE & SPACING (REFERENCE INSTALLATION INSTRUCTIONS FOR MIN. FASTENER REQUIREMENTS)
3. FLASHINGS TO BE FASTENED AT 20" O.C. MAX. FOR STEEL AND 16" O.C. MAX. FOR ALUMINUM. SEE INSTALLATION INSTRUCTIONS FOR FLASHING INSTALLATION NOTES.

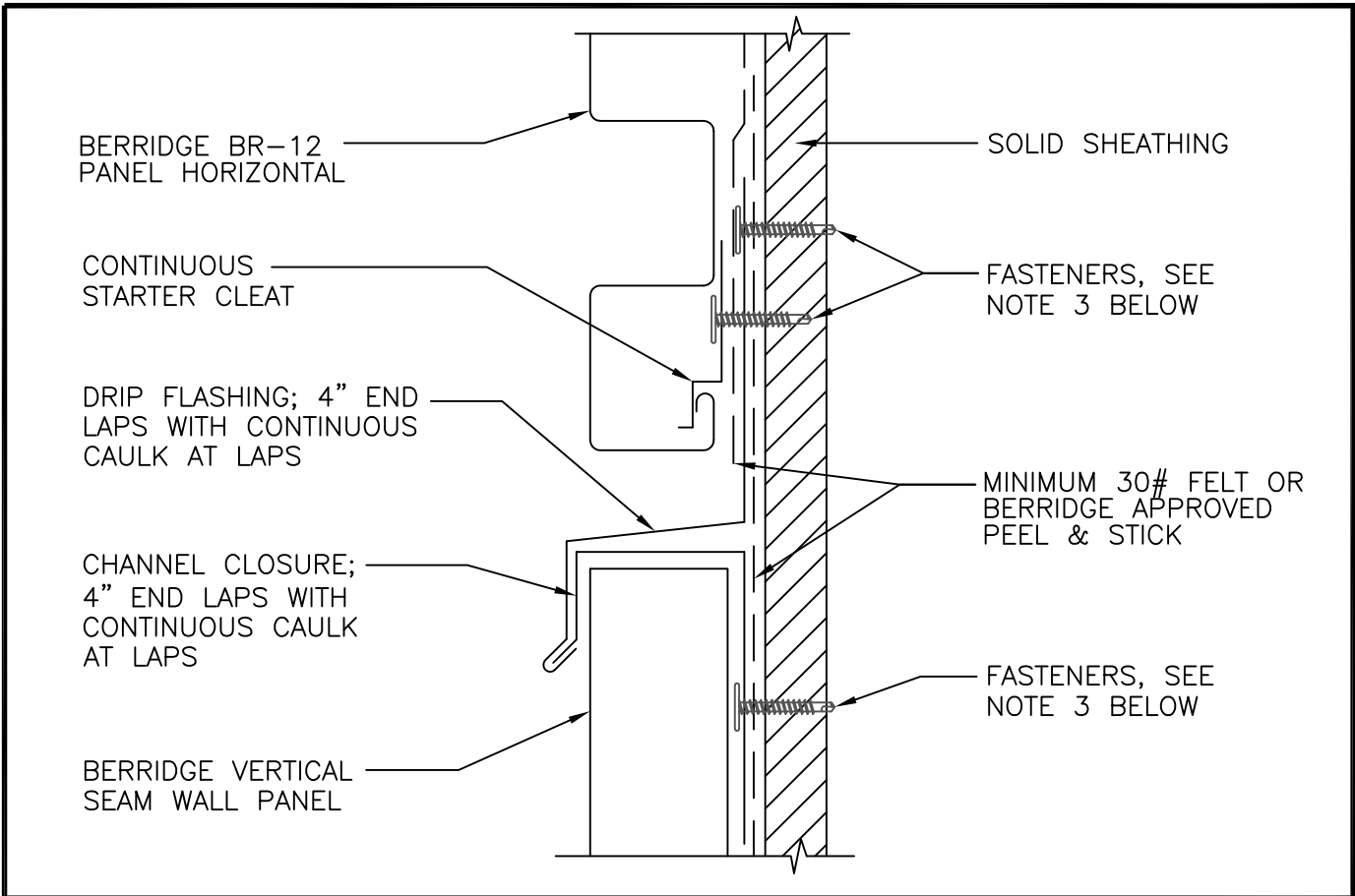


Berridge  
Manufacturing  
Company

SILL AT BRICK DETAIL  
SOLID SHEATHING  
BR-12 PANEL

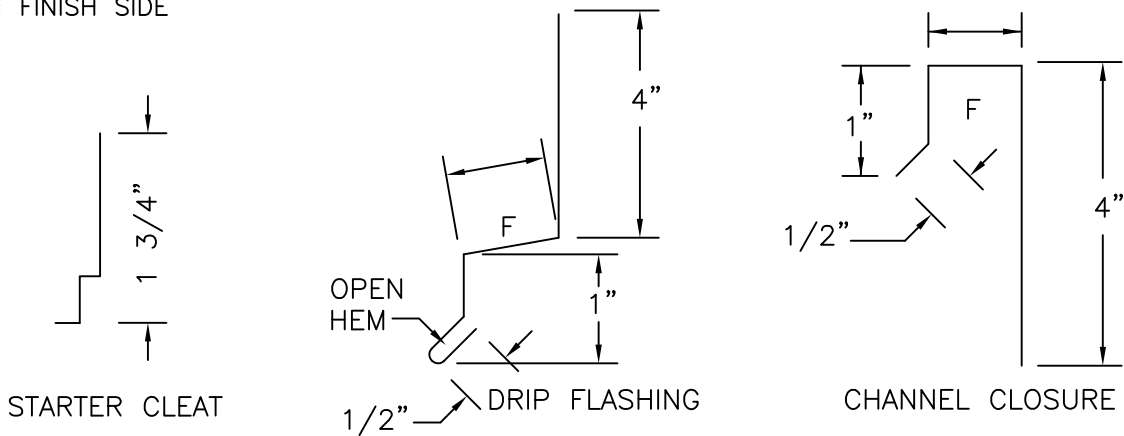
DATE: 1/23/19

PAGE\FILE  
BR-57



1. SOLID SHEATHING (BY OTHERS) TO MEET ENGINEERING AND ARCHITECTURAL SPECIFICATIONS  
MINIMUM REQUIREMENTS REFERENCE INSTALLATION INSTRUCTIONS
2. REFERENCE BERRIDGE'S WEB SITE FOR APPROVED UNDERLAYMENT AND CAULK TYPES  
CONSULT BERRIDGE MANUFACTURING'S ENGINEERING DEPARTMENT REGARDING FASTENER  
TYPE & SPACING (REFERENCE INSTALLATION INSTRUCTIONS FOR MIN. FASTENER REQUIREMENTS)
3. FLASHINGS TO BE FASTENED AT 20" O.C. MAX. FOR STEEL AND 16" O.C. MAX. FOR  
ALUMINUM. SEE INSTALLATION INSTRUCTIONS FOR FLASHING INSTALLATION NOTES.

F = FINISH SIDE




**Berridge**  
Manufacturing  
Company

*Roofs of Distinction*

**SILL AT VERTICAL PANEL  
SOLID SHEATHING  
BR-12 PANEL**

DATE: 1/23/19

PAGE\FILE  
**BR-58**

BERRIDGE BR-12  
PANEL HORIZONTAL

COUNTER FLASHING;  
4" END LAPS WITH  
CONTINUOUS CAULK  
AT LAPS

FASTENERS, SEE  
NOTE 3 BELOW

CONTINUOUS  
STARTER CLEAT

DRIP FLASHING; 4" END  
LAPS WITH CONTINUOUS  
CAULK AT LAPS

CONTINUOUS CAULK  
AND BACKER ROD

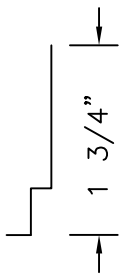
MINIMUM 30# FELT OR  
BERRIDGE APPROVED  
PEEL & STICK

SOLID SHEATHING

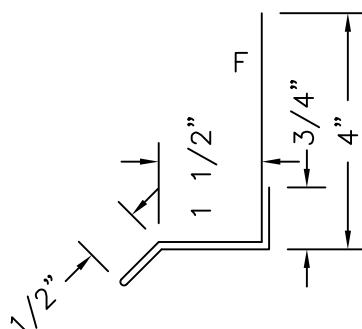
HEADER

1. SOLID SHEATHING (BY OTHERS) TO MEET ENGINEERING AND ARCHITECTURAL SPECIFICATIONS  
MINIMUM REQUIREMENTS REFERENCE INSTALLATION INSTRUCTIONS
2. REFERENCE BERRIDGE'S WEB SITE FOR APPROVED UNDERLAYMENT AND CAULK TYPES  
CONSULT BERRIDGE MANUFACTURING'S ENGINEERING DEPARTMENT REGARDING FASTENER  
TYPE & SPACING (REFERENCE INSTALLATION INSTRUCTIONS FOR MIN. FASTENER REQUIREMENTS)
3. FLASHINGS TO BE FASTENED AT 20" O.C. MAX. FOR STEEL AND 16" O.C. MAX. FOR  
ALUMINUM. SEE INSTALLATION INSTRUCTIONS FOR FLASHING INSTALLATION NOTES.

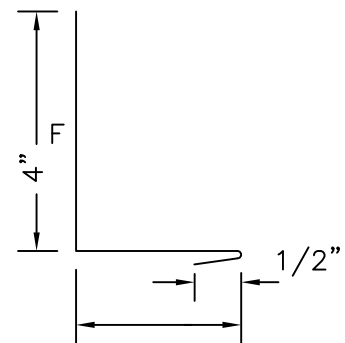
F = FINISH SIDE



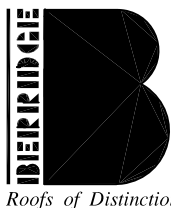
STARTER CLEAT



DRIP FLASHING



COUNTER FLASHING



Berridge  
Manufacturing  
Company

# HEADER DETAIL SOLID SHEATHING BR-12 PANEL

DATE: 1/23/19

PAGE\FILE  
BR-60

BERRIDGE BR-12  
PANEL HORIZONTAL

COUNTER FLASHING;  
4" END LAPS WITH  
CONTINUOUS CAULK  
AT LAPS

FIELD CUT  
PANEL SECTION

POP RIVET  
20" O.C. MAX

DRIP FLASHING; 4" END  
LAPS WITH CONTINUOUS  
CAULK AT LAPS

CONTINUOUS CAULK  
AND BACKER ROD

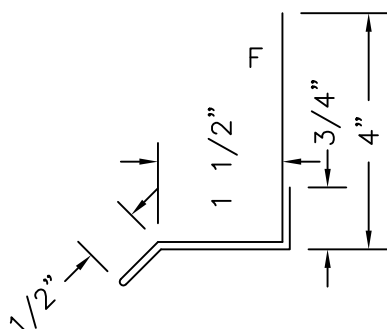
HEADER

MINIMUM 30# FELT OR  
BERRIDGE APPROVED  
PEEL & STICK

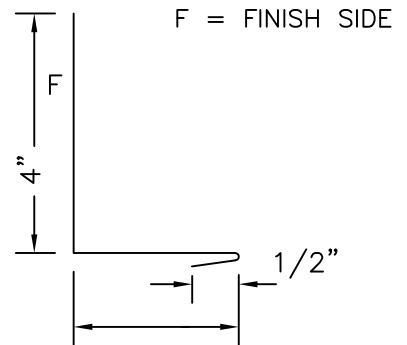
SOLID SHEATHING

FASTENERS, SEE  
NOTE 3 BELOW

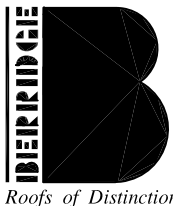
1. SOLID SHEATHING (BY OTHERS) TO MEET ENGINEERING AND ARCHITECTURAL SPECIFICATIONS MINIMUM REQUIREMENTS REFERENCE INSTALLATION INSTRUCTIONS
2. REFERENCE BERRIDGE'S WEB SITE FOR APPROVED UNDERLAYMENT AND CAULK TYPES CONSULT BERRIDGE MANUFACTURING'S ENGINEERING DEPARTMENT REGARDING FASTENER TYPE & SPACING (REFERENCE INSTALLATION INSTRUCTIONS FOR MIN. FASTENER REQUIREMENTS)
3. FLASHINGS TO BE FASTENED AT 20" O.C. MAX. FOR STEEL AND 16" O.C. MAX. FOR ALUMINUM. SEE INSTALLATION INSTRUCTIONS FOR FLASHING INSTALLATION NOTES.



DRIP FLASHING



COUNTER FLASHING



Berridge  
Manufacturing  
Company

# HEADER DETAIL SOLID SHEATHING BR-12 PANEL

DATE: 1/23/19

PAGE\FILE  
BR-61



BERRIDGE BR-12  
PANEL VERTICAL

COUNTER FLASHING;  
4" END LAPS WITH  
CONTINUOUS CAULK  
AT LAPS

FASTENERS AT PANEL  
FASTENER LEG

DRIP FLASHING; 4" END  
LAPS WITH CONTINUOUS  
CAULK AT LAPS

CONTINUOUS CAULK  
AND BACKER ROD

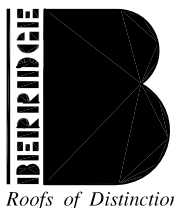
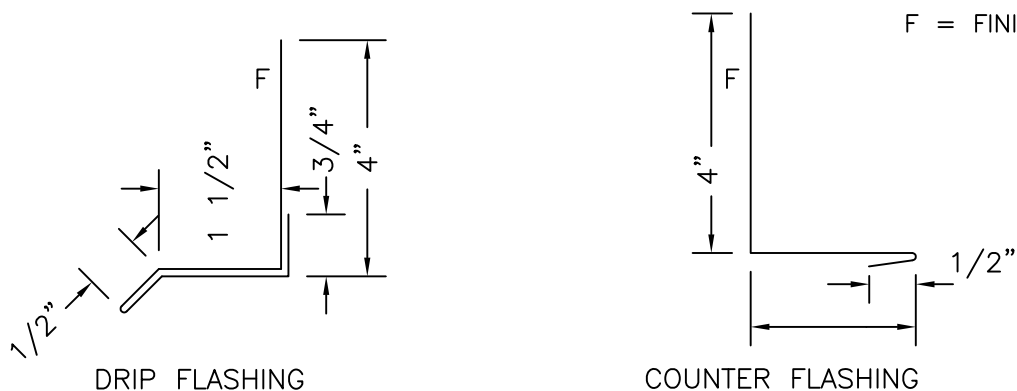
HEADER

MINIMUM 30# FELT OR  
BERRIDGE APPROVED  
PEEL & STICK

FASTENERS, SEE  
NOTE 3 BELOW

SOLID SHEATHING

1. SOLID SHEATHING (BY OTHERS) TO MEET ENGINEERING AND ARCHITECTURAL SPECIFICATIONS  
MINIMUM REQUIREMENTS REFERENCE INSTALLATION INSTRUCTIONS
2. REFERENCE BERRIDGE'S WEB SITE FOR APPROVED UNDERLAYMENT AND CAULK TYPES  
CONSULT BERRIDGE MANUFACTURING'S ENGINEERING DEPARTMENT REGARDING FASTENER  
TYPE & SPACING (REFERENCE INSTALLATION INSTRUCTIONS FOR MIN. FASTENER REQUIREMENTS)
3. FLASHINGS TO BE FASTENED AT 20" O.C. MAX. FOR STEEL AND 16" O.C. MAX. FOR  
ALUMINUM. SEE INSTALLATION INSTRUCTIONS FOR FLASHING INSTALLATION NOTES.

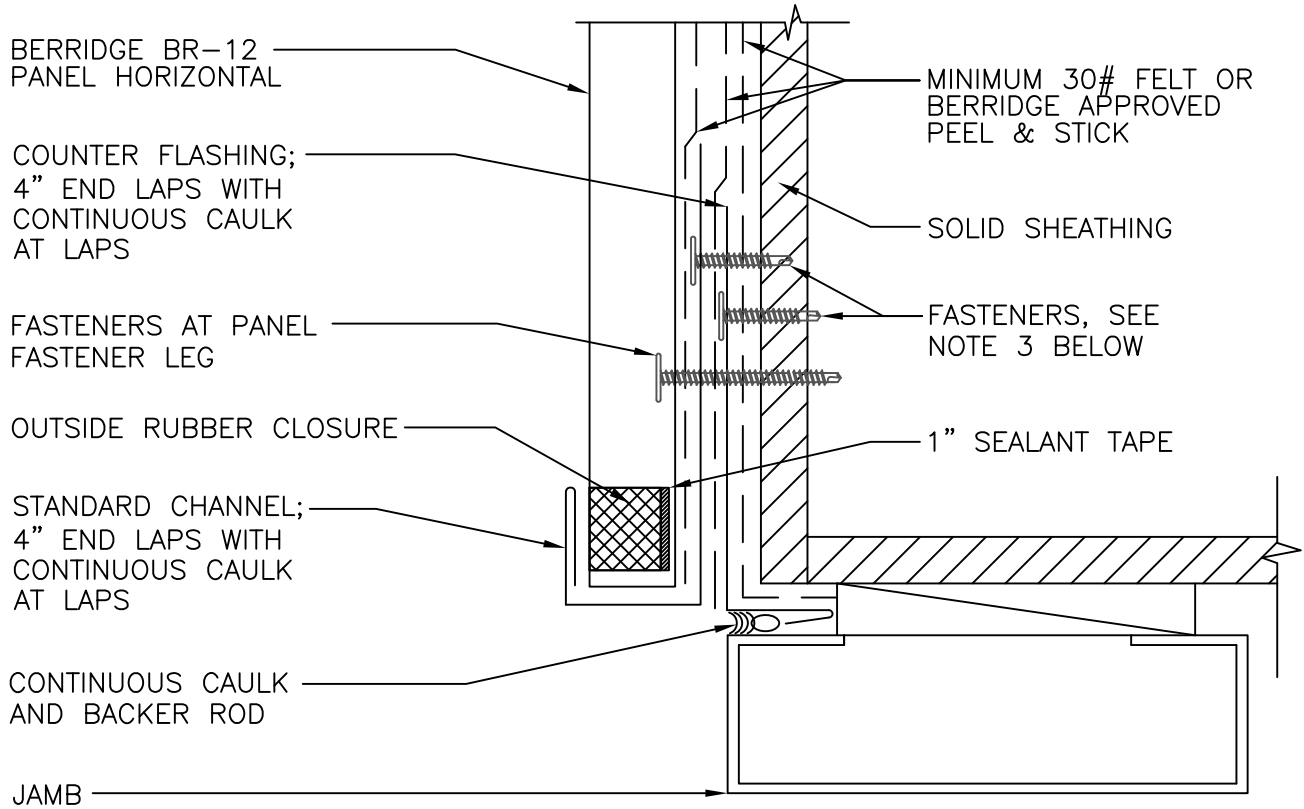


Berridge  
Manufacturing  
Company

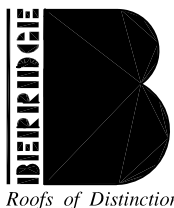
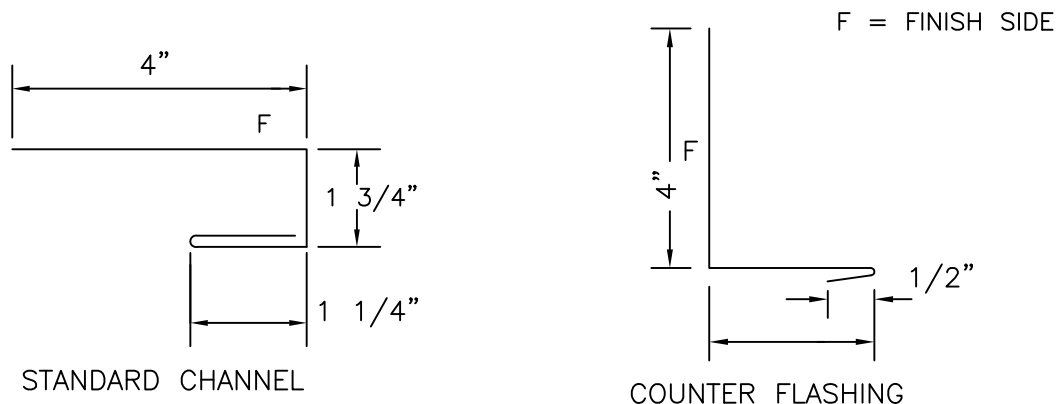
# HEADER DETAIL SOLID SHEATHING BR-12 PANEL

DATE: 1/23/19

PAGE\FILE  
BR-62



1. SOLID SHEATHING (BY OTHERS) TO MEET ENGINEERING AND ARCHITECTURAL SPECIFICATIONS  
MINIMUM REQUIREMENTS REFERENCE INSTALLATION INSTRUCTIONS
2. REFERENCE BERRIDGE'S WEB SITE FOR APPROVED UNDERLAYMENT AND CAULK TYPES  
CONSULT BERRIDGE MANUFACTURING'S ENGINEERING DEPARTMENT REGARDING FASTENER  
TYPE & SPACING (REFERENCE INSTALLATION INSTRUCTIONS FOR MIN. FASTENER REQUIREMENTS)
3. FLASHINGS TO BE FASTENED AT 20" O.C. MAX. FOR STEEL AND 16" O.C. MAX. FOR  
ALUMINUM. SEE INSTALLATION INSTRUCTIONS FOR FLASHING INSTALLATION NOTES.

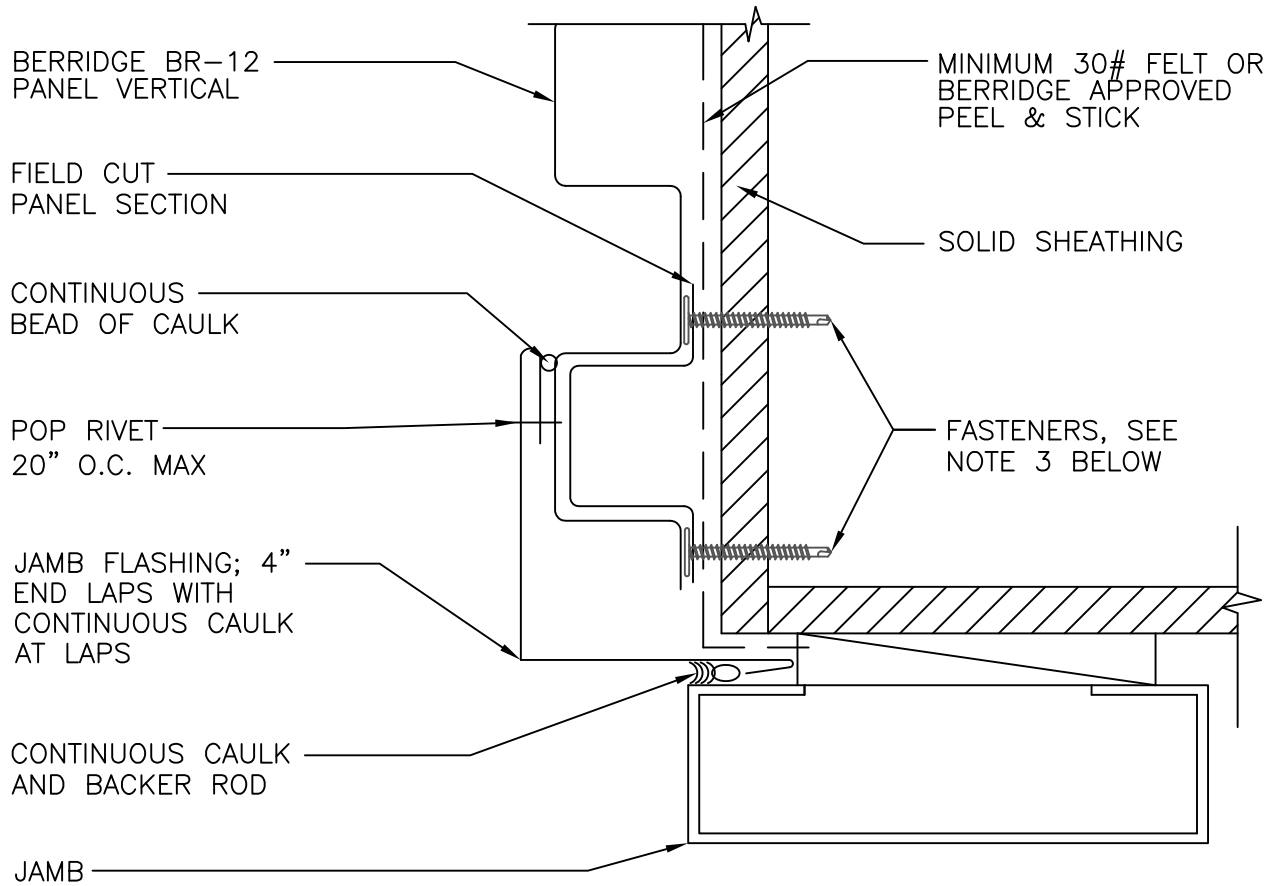


Berridge  
Manufacturing  
Company

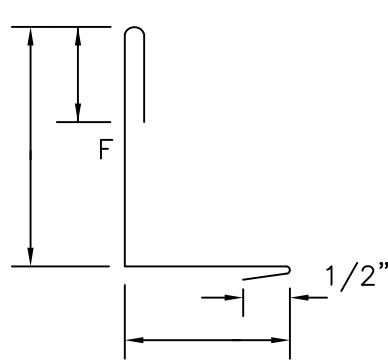
JAMB DETAIL  
SOLID SHEATHING  
BR-12 PANEL

DATE: 1/23/19

PAGE\FILE  
BR-63

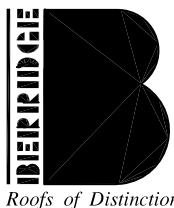


1. SOLID SHEATHING (BY OTHERS) TO MEET ENGINEERING AND ARCHITECTURAL SPECIFICATIONS MINIMUM REQUIREMENTS REFERENCE INSTALLATION INSTRUCTIONS
2. REFERENCE BERRIDGE'S WEB SITE FOR APPROVED UNDERLAYMENT AND CAULK TYPES CONSULT BERRIDGE MANUFACTURING'S ENGINEERING DEPARTMENT REGARDING FASTENER TYPE & SPACING (REFERENCE INSTALLATION INSTRUCTIONS FOR MIN. FASTENER REQUIREMENTS)
3. FLASHINGS TO BE FASTENED AT 20" O.C. MAX. FOR STEEL AND 16" O.C. MAX. FOR ALUMINUM. SEE INSTALLATION INSTRUCTIONS FOR FLASHING INSTALLATION NOTES.



F = FINISH SIDE

JAMB FLASHING

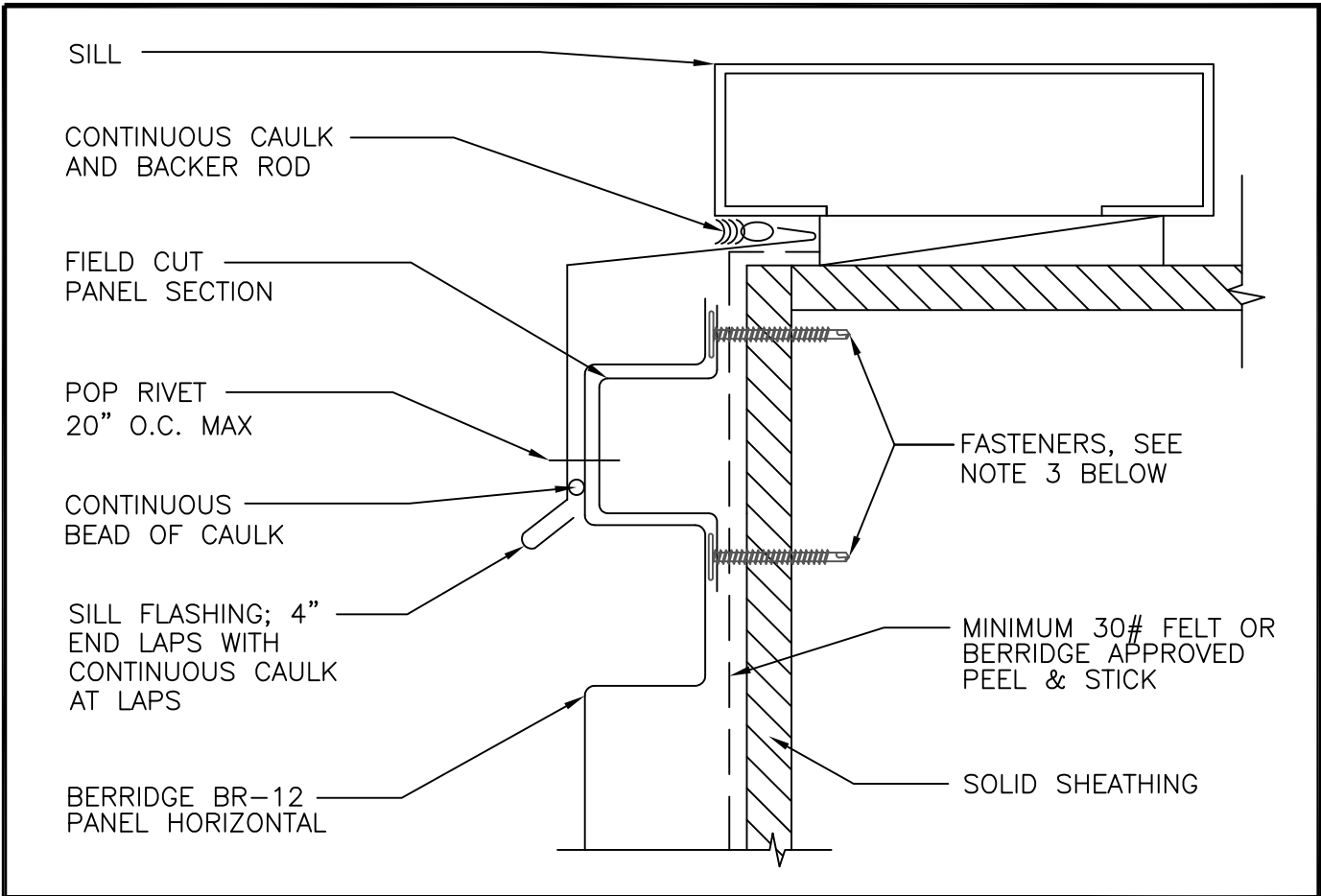


Berridge  
Manufacturing  
Company

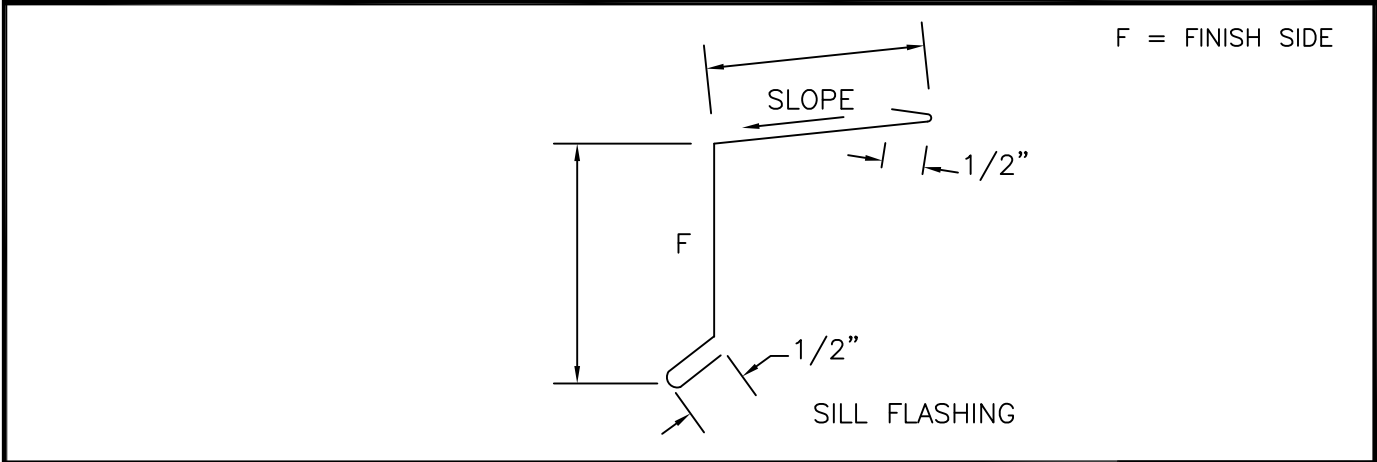
**JAMB DETAIL  
SOLID SHEATHING  
BR-12 PANEL**

DATE: 1/23/19

PAGE\FILE  
BR-64



1. SOLID SHEATHING (BY OTHERS) TO MEET ENGINEERING AND ARCHITECTURAL SPECIFICATIONS  
MINIMUM REQUIREMENTS REFERENCE INSTALLATION INSTRUCTIONS
2. REFERENCE BERRIDGE'S WEB SITE FOR APPROVED UNDERLAYMENT AND CAULK TYPES  
CONSULT BERRIDGE MANUFACTURING'S ENGINEERING DEPARTMENT REGARDING FASTENER  
TYPE & SPACING (REFERENCE INSTALLATION INSTRUCTIONS FOR MIN. FASTENER REQUIREMENTS)
3. FLASHINGS TO BE FASTENED AT 20" O.C. MAX. FOR STEEL AND 16" O.C. MAX. FOR  
ALUMINUM. SEE INSTALLATION INSTRUCTIONS FOR FLASHING INSTALLATION NOTES.



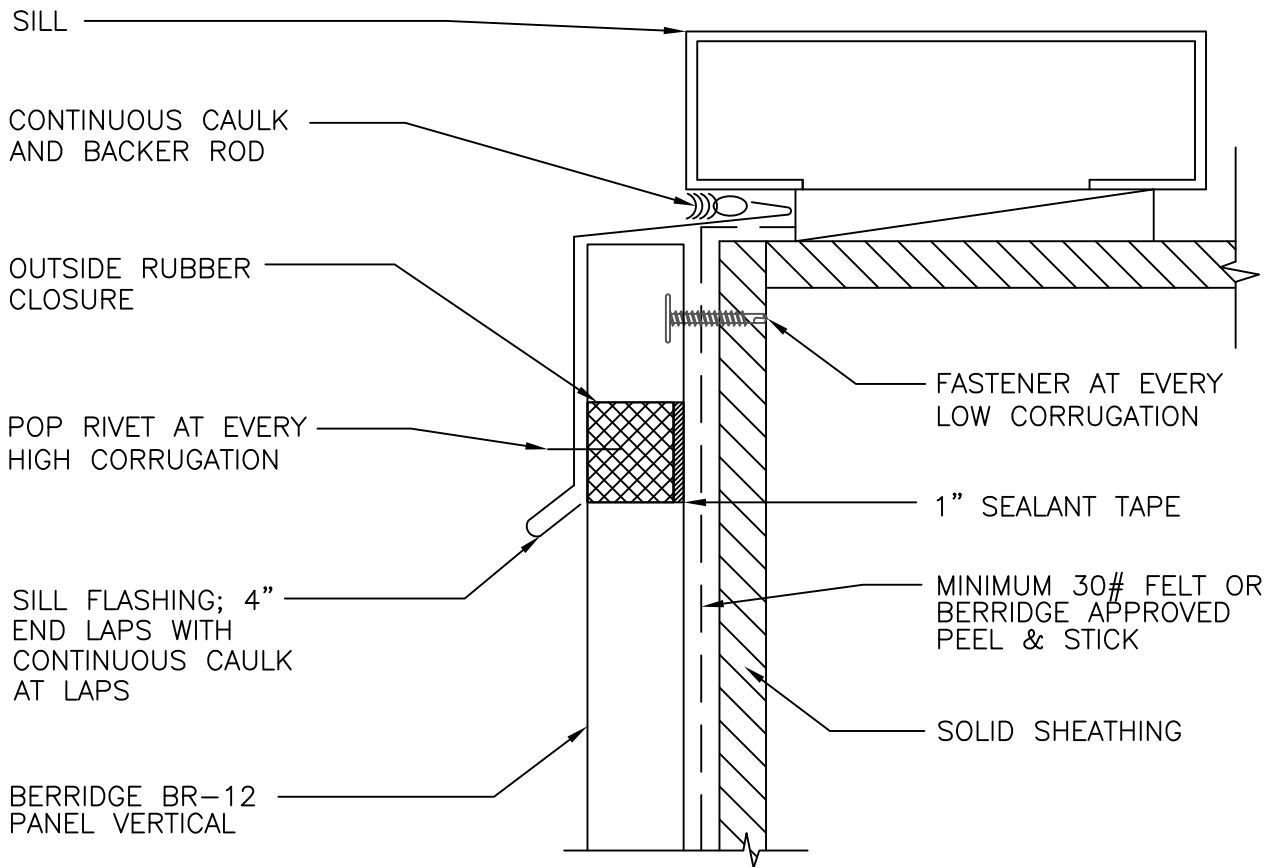

**Berridge**  
Manufacturing  
Company

*Roofs of Distinction*

**SILL DETAIL**  
**SOLID SHEATHING**  
**BR-12 PANEL**

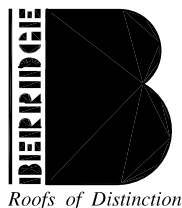
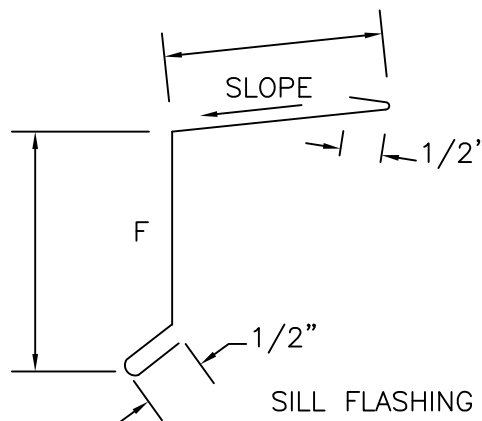
DATE: 1/23/19

PAGE\FILE  
**BR-65**



1. SOLID SHEATHING (BY OTHERS) TO MEET ENGINEERING AND ARCHITECTURAL SPECIFICATIONS  
MINIMUM REQUIREMENTS REFERENCE INSTALLATION INSTRUCTIONS
2. REFERENCE BERRIDGE'S WEB SITE FOR APPROVED UNDERLAYMENT AND CAULK TYPES  
CONSULT BERRIDGE MANUFACTURING'S ENGINEERING DEPARTMENT REGARDING FASTENER  
TYPE & SPACING (REFERENCE INSTALLATION INSTRUCTIONS FOR MIN. FASTENER REQUIREMENTS)

F = FINISH SIDE



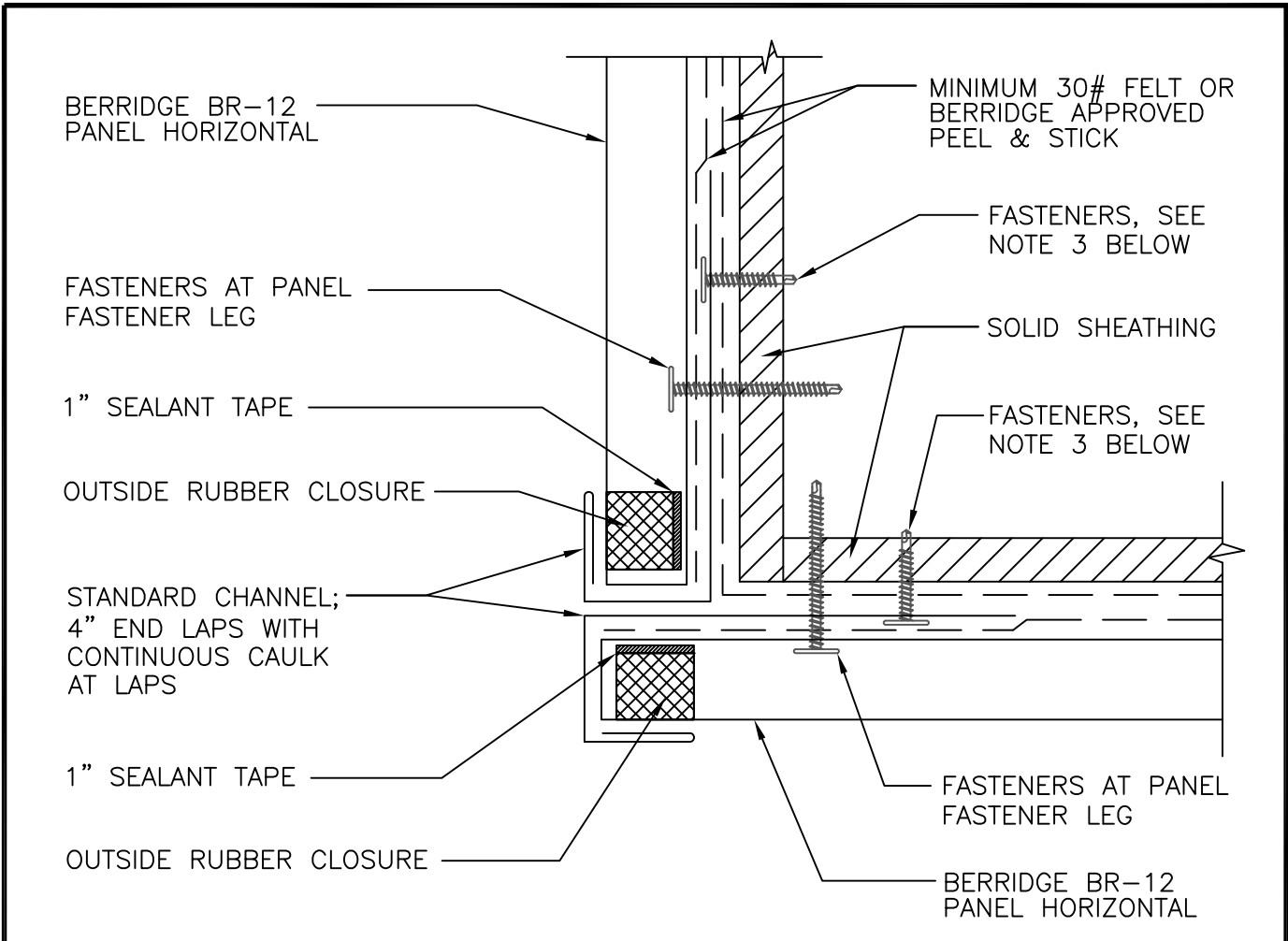
Berridge  
Manufacturing  
Company

Roofs of Distinction

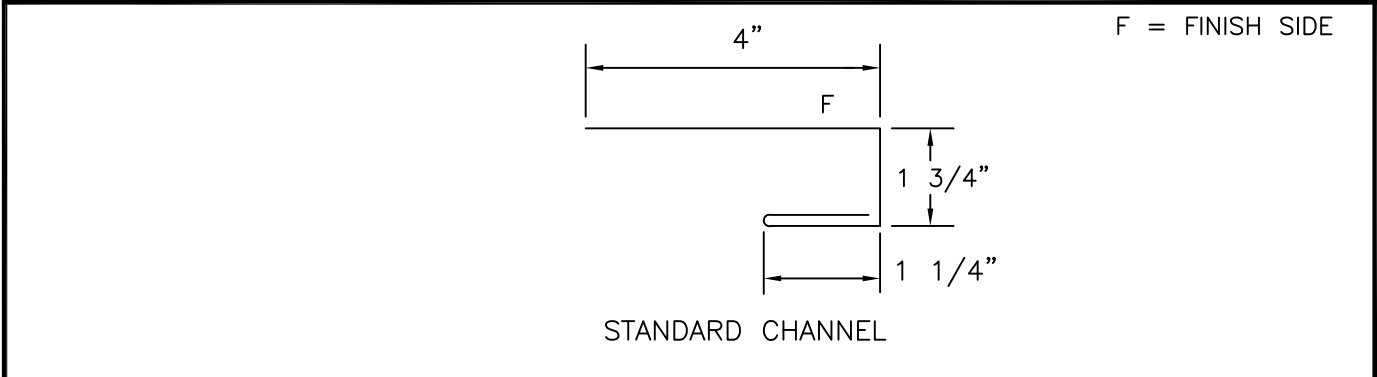
## SILL DETAIL SOLID SHEATHING BR-12 PANEL

DATE: 1/23/19

PAGE\FILE  
BR-66



1. SOLID SHEATHING (BY OTHERS) TO MEET ENGINEERING AND ARCHITECTURAL SPECIFICATIONS  
MINIMUM REQUIREMENTS REFERENCE INSTALLATION INSTRUCTIONS
2. REFERENCE BERRIDGE'S WEB SITE FOR APPROVED UNDERLAYMENT AND CAULK TYPES  
CONSULT BERRIDGE MANUFACTURING'S ENGINEERING DEPARTMENT REGARDING FASTENER  
TYPE & SPACING (REFERENCE INSTALLATION INSTRUCTIONS FOR MIN. FASTENER REQUIREMENTS)
3. FLASHINGS TO BE FASTENED AT 20" O.C. MAX. FOR STEEL AND 16" O.C. MAX. FOR  
ALUMINUM. SEE INSTALLATION INSTRUCTIONS FOR FLASHING INSTALLATION NOTES.



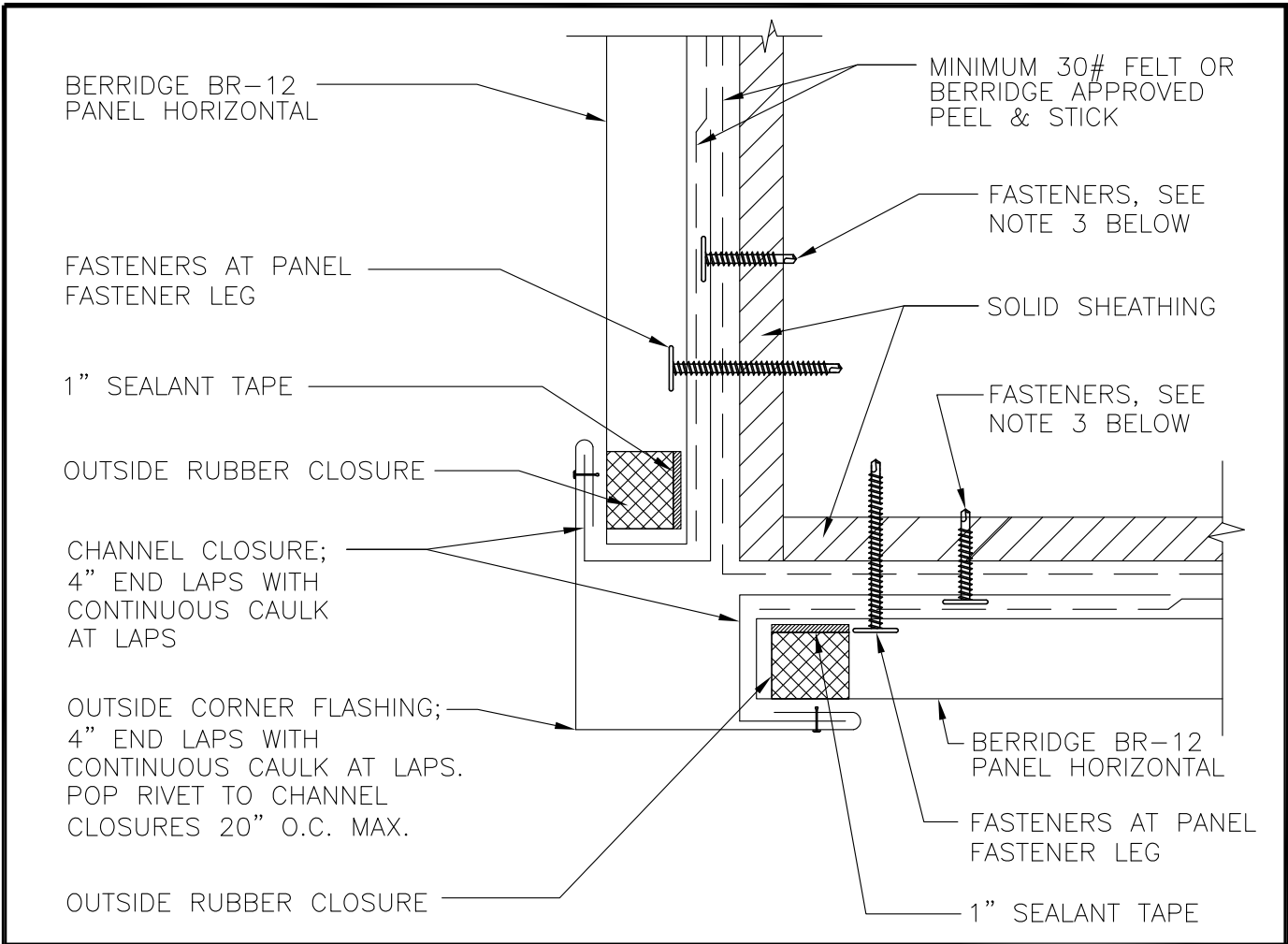

**Berridge  
Manufacturing  
Company**

*Roofs of Distinction*

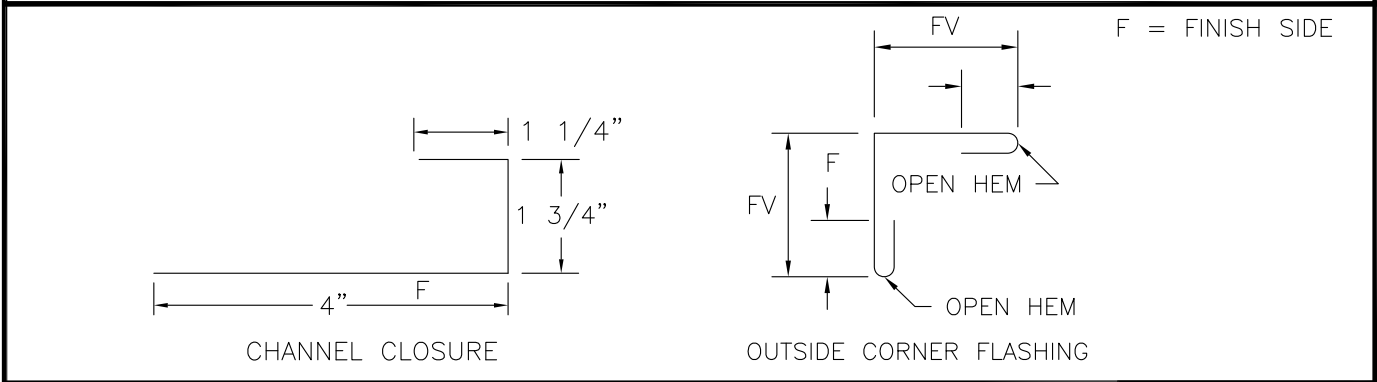
**OUTSIDE CORNER DETAIL  
SOLID SHEATHING  
BR-12 PANEL**

DATE: 1/23/19

PAGE\FILE  
BR-70



1. SOLID SHEATHING (BY OTHERS) TO MEET ENGINEERING AND ARCHITECTURAL SPECIFICATIONS MINIMUM REQUIREMENTS REFERENCE INSTALLATION INSTRUCTIONS
2. REFERENCE BERRIDGE'S WEB SITE FOR APPROVED UNDERLAYMENT AND CAULK TYPES CONSULT BERRIDGE MANUFACTURING'S ENGINEERING DEPARTMENT REGARDING FASTENER TYPE & SPACING (REFERENCE INSTALLATION INSTRUCTIONS FOR MIN. FASTENER REQUIREMENTS)
3. FLASHINGS TO BE FASTENED AT 20" O.C. MAX. FOR STEEL AND 16" O.C. MAX. FOR ALUMINUM. SEE INSTALLATION INSTRUCTIONS FOR FLASHING INSTALLATION NOTES.




**Berridge**  
Manufacturing  
Company

*Roofs of Distinction*

**OUTSIDE CORNER DETAIL  
SOLID SHEATHING  
BR-12 PANEL**

DATE: 1/23/19

PAGE\FILE  
**BR-70A**

BERRIDGE BR-12  
PANEL HORIZONTAL

FASTENERS, SEE  
NOTE 2 BELOW

FASTENERS AT PANEL  
FASTENER LEG

FASTENERS, SEE  
NOTE 2 BELOW

1" SEALANT TAPE

OUTSIDE RUBBER CLOSURE

STANDARD CHANNEL;  
4" END LAPS WITH  
CONTINUOUS CAULK  
AT LAPS

1" SEALANT TAPE

OUTSIDE RUBBER CLOSURE

CONTINUOUS 16 GA.  
SUB FLASHING

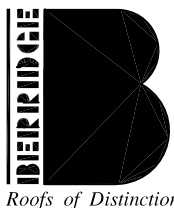
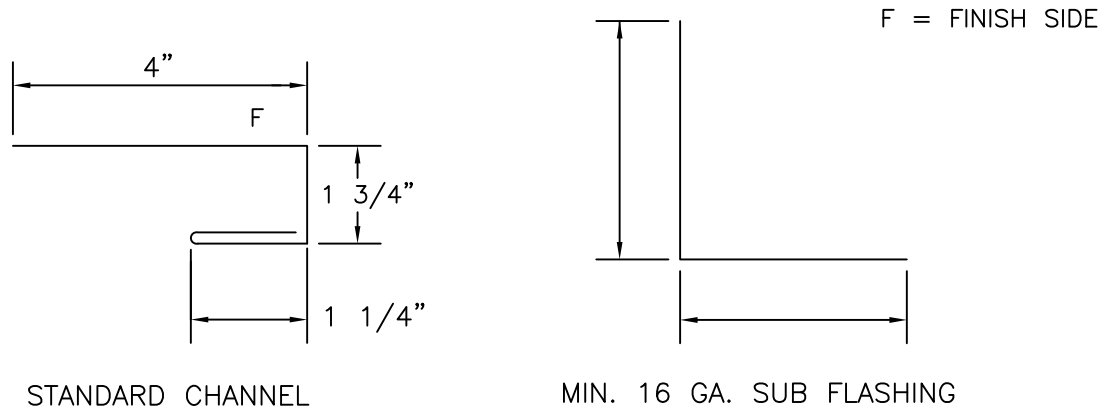
VERTICAL  
FRAMING MEMBER

FASTENERS AT  
PANEL FASTENER  
LEG

FASTENERS, SEE  
NOTE 2 BELOW

BERRIDGE BR-12  
PANEL HORIZONTAL

1. REFERENCE BERRIDGE'S WEB SITE FOR APPROVED UNDERLAYMENT AND CAULK TYPES CONSULT BERRIDGE MANUFACTURING'S ENGINEERING DEPARTMENT REGARDING FASTENER TYPE & SPACING (REFERENCE INSTALLATION INSTRUCTIONS FOR MIN. FASTENER REQUIREMENTS)
2. FLASHINGS TO BE FASTENED AT 20" O.C. MAX. FOR STEEL AND 16" O.C. MAX. FOR ALUMINUM. SEE INSTALLATION INSTRUCTIONS FOR FLASHING INSTALLATION NOTES.



**Berridge**  
Manufacturing  
Company

*Roofs of Distinction*

## OUTSIDE CORNER DETAIL OPEN FRAMING

# BR-12 PANEL

DATE: 1/23/19

PAGE\FILE  
BR-71



BERRIDGE BR-12  
PANEL HORIZONTAL

FASTENERS, SEE  
NOTE 2 BELOW

FASTENERS AT PANEL  
FASTENER LEG

OUTSIDE CORNER  
FLASHING; 4" END LAPS  
WITH CONTINUOUS CAULK  
AT LAPS. POP RIVET TO  
CHANNEL CLOSURES 20"  
O.C. MAX.

1" SEALANT TAPE

OUTSIDE RUBBER  
CLOSURE

CHANNEL CLOSURE; 4" END  
LAPS WITH CONTINUOUS  
CAULK AT LAPS

1" SEALANT TAPE

OUTSIDE RUBBER CLOSURE

CONTINUOUS 16 GA.  
SUB FLASHING

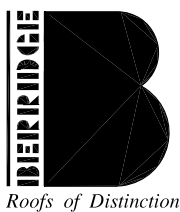
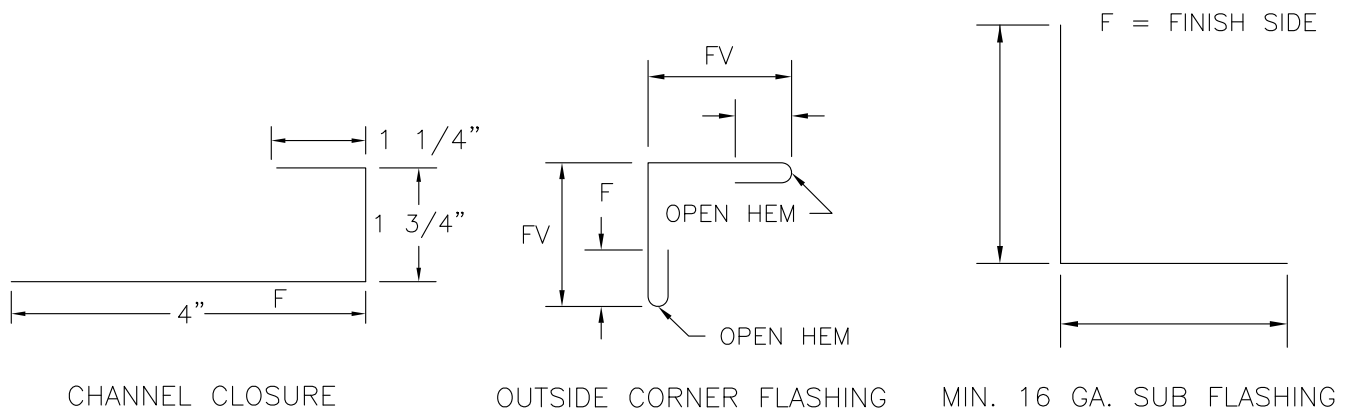
VERTICAL  
FRAMING MEMBER

FASTENERS AT  
PANEL FASTENER  
LEG

FASTENERS, SEE  
NOTE 2 BELOW

BERRIDGE BR-12  
PANEL HORIZONTAL

1. REFERENCE BERRIDGE'S WEB SITE FOR APPROVED UNDERLAYMENT AND CAULK TYPES CONSULT BERRIDGE MANUFACTURING'S ENGINEERING DEPARTMENT REGARDING FASTENER TYPE & SPACING (REFERENCE INSTALLATION INSTRUCTIONS FOR MIN. FASTENER REQUIREMENTS)
2. FLASHINGS TO BE FASTENED AT 20" O.C. MAX. FOR STEEL AND 16" O.C. MAX. FOR ALUMINUM. SEE INSTALLATION INSTRUCTIONS FOR FLASHING INSTALLATION NOTES.



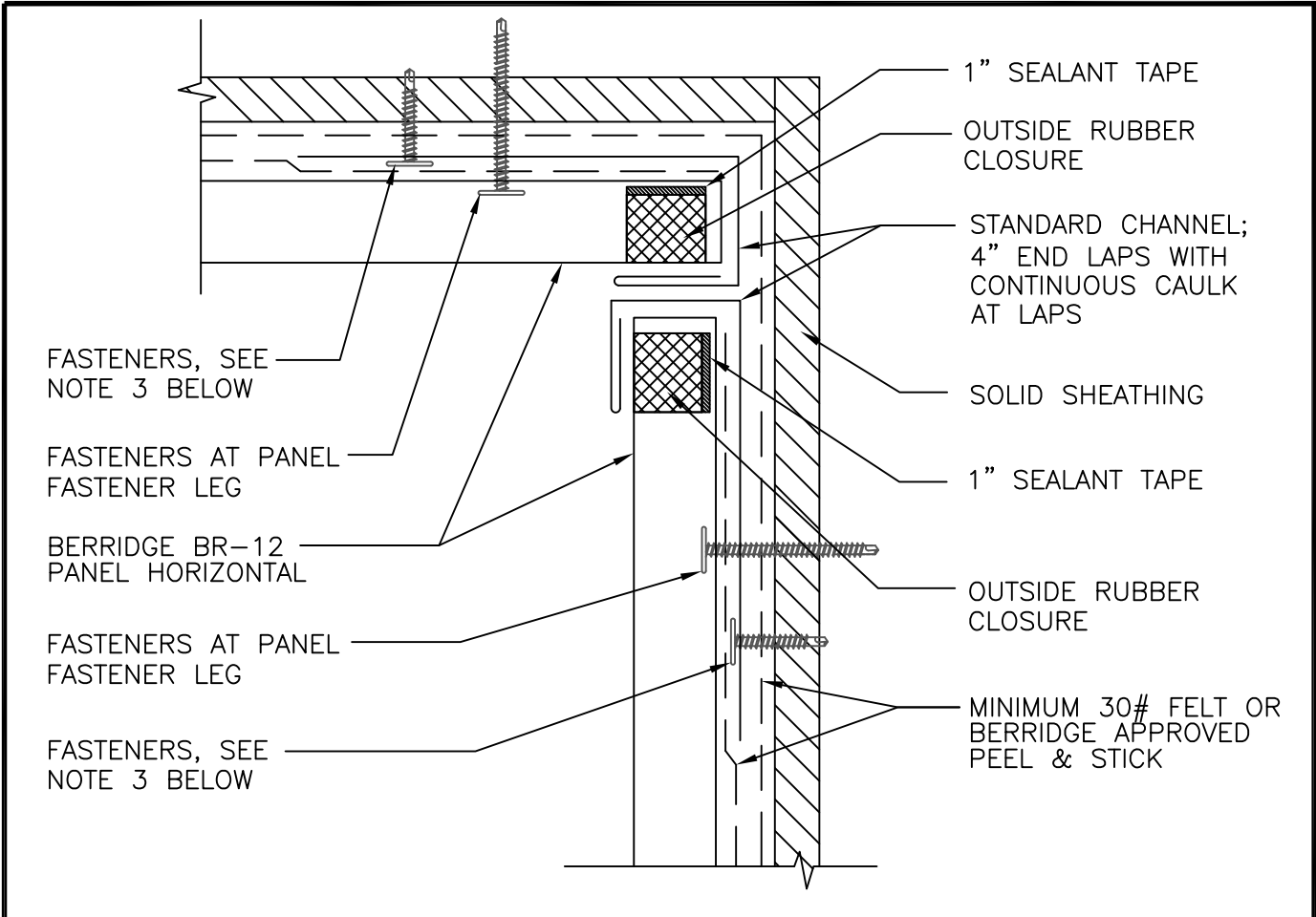
**Berridge  
Manufacturing  
Company**

**OUTSIDE CORNER DETAIL  
OPEN FRAMING**

**BR-12 PANEL**

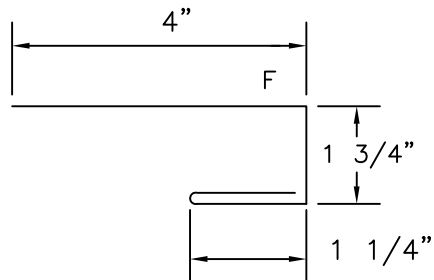
DATE: 1/23/19

PAGE\FILE  
**BR-71A**

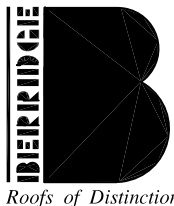


1. SOLID SHEATHING (BY OTHERS) TO MEET ENGINEERING AND ARCHITECTURAL SPECIFICATIONS MINIMUM REQUIREMENTS REFERENCE INSTALLATION INSTRUCTIONS
2. REFERENCE BERRIDGE'S WEB SITE FOR APPROVED UNDERLAYMENT AND CAULK TYPES CONSULT BERRIDGE MANUFACTURING'S ENGINEERING DEPARTMENT REGARDING FASTENER TYPE & SPACING (REFERENCE INSTALLATION INSTRUCTIONS FOR MIN. FASTENER REQUIREMENTS)
3. FLASHINGS TO BE FASTENED AT 20" O.C. MAX. FOR STEEL AND 16" O.C. MAX. FOR ALUMINUM. SEE INSTALLATION INSTRUCTIONS FOR FLASHING INSTALLATION NOTES.

F = FINISH SIDE



STANDARD CHANNEL



Berridge  
Manufacturing  
Company

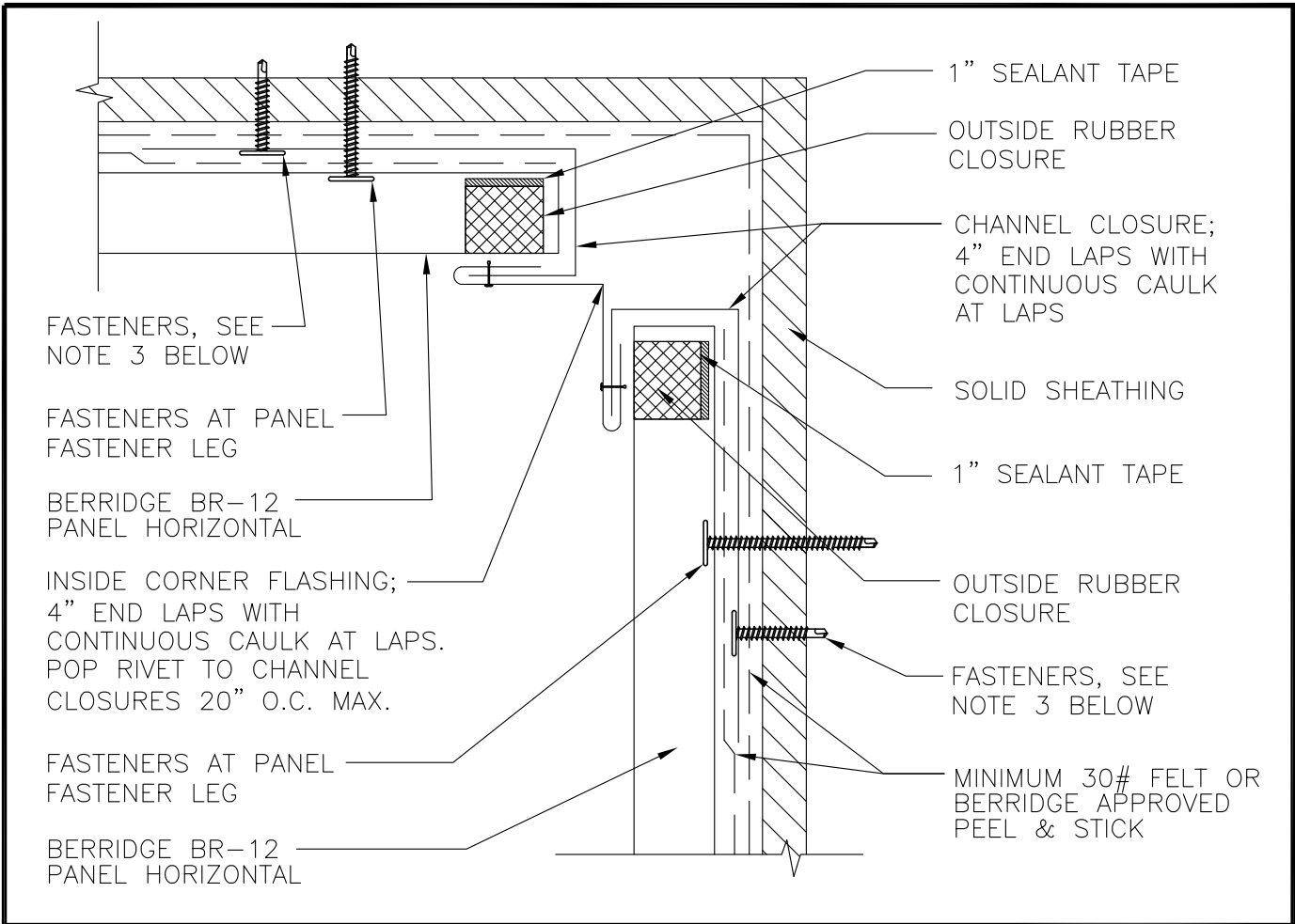
INSIDE CORNER DETAIL  
SOLID SHEATHING

BR-12 PANEL

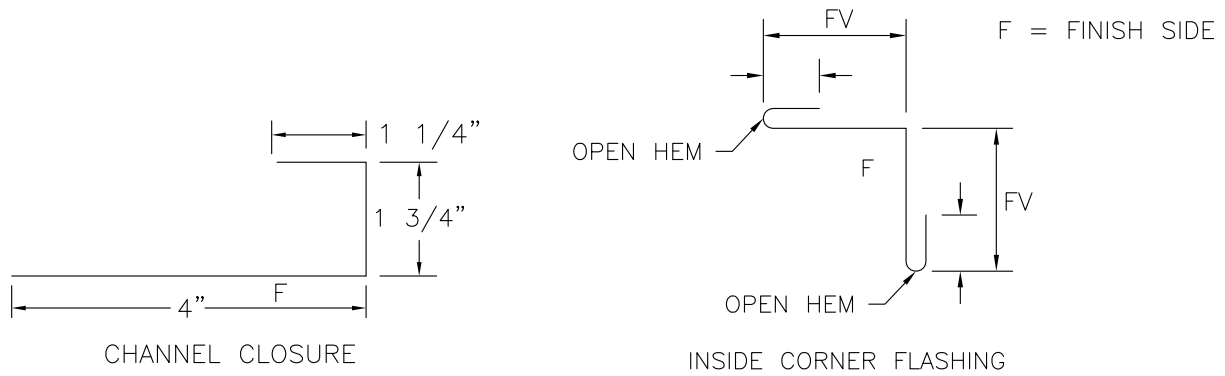
DATE: 1/23/19

PAGE\FILE

BR-72



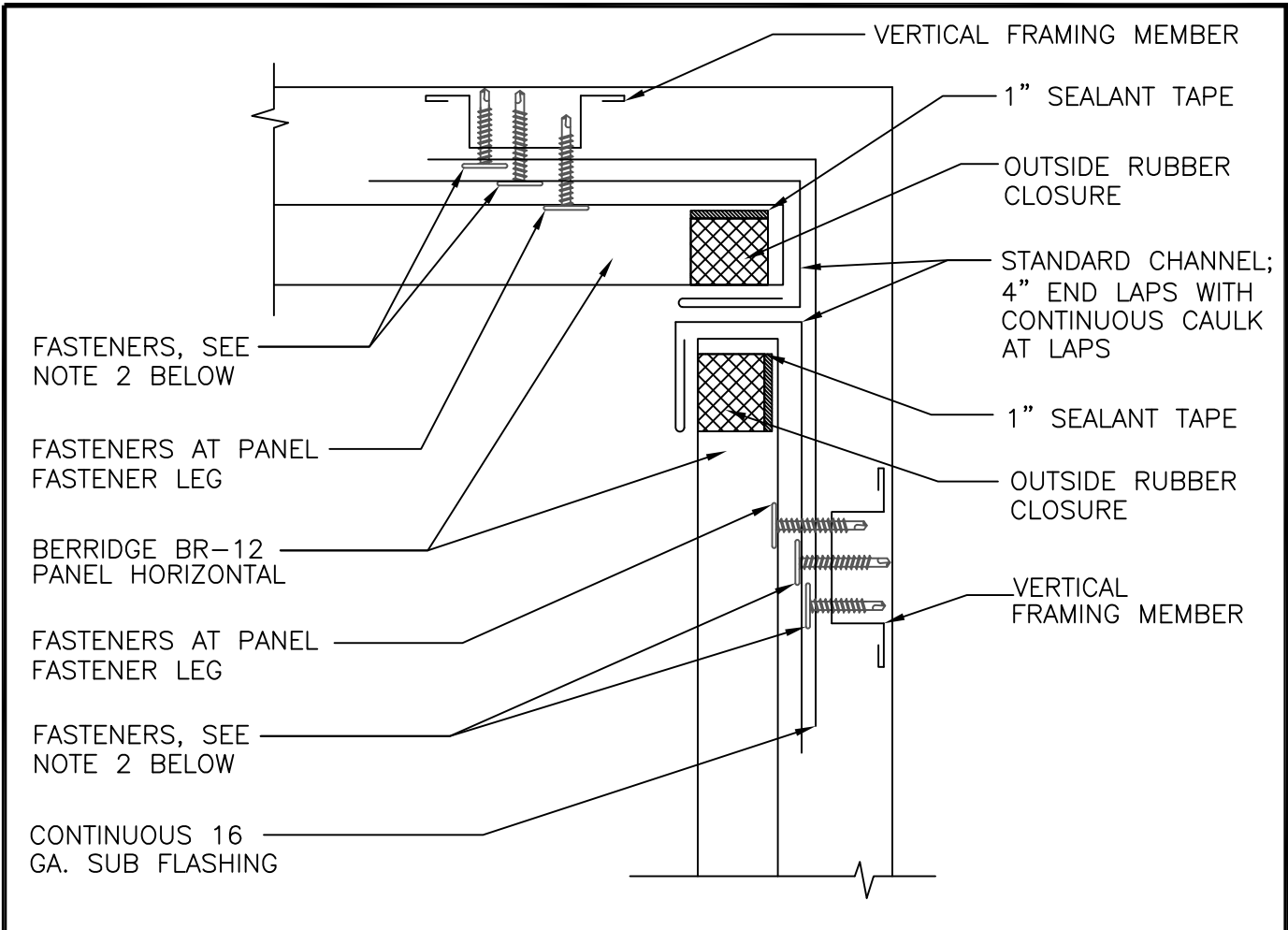
1. SOLID SHEATHING (BY OTHERS) TO MEET ENGINEERING AND ARCHITECTURAL SPECIFICATIONS MINIMUM REQUIREMENTS REFERENCE INSTALLATION INSTRUCTIONS
2. REFERENCE BERRIDGE'S WEB SITE FOR APPROVED UNDERLAYMENT AND CAULK TYPES CONSULT BERRIDGE MANUFACTURING'S ENGINEERING DEPARTMENT REGARDING FASTENER TYPE & SPACING (REFERENCE INSTALLATION INSTRUCTIONS FOR MIN. FASTENER REQUIREMENTS)
3. FLASHINGS TO BE FASTENED AT 20" O.C. MAX. FOR STEEL AND 16" O.C. MAX. FOR ALUMINUM. SEE INSTALLATION INSTRUCTIONS FOR FLASHING INSTALLATION NOTES.



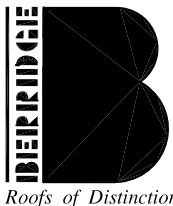
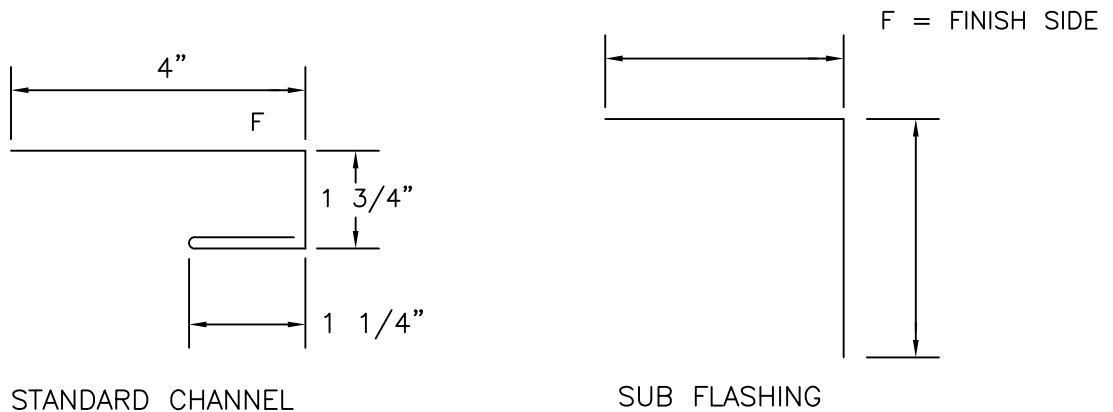
**INSIDE CORNER DETAIL  
SOLID SHEATHING  
BR-12 PANEL**

DATE: 1/23/19

PAGE\FILE  
**BR-72A**



1. REFERENCE BERRIDGE'S WEB SITE FOR APPROVED UNDERLAYMENT AND CAULK TYPES CONSULT BERRIDGE MANUFACTURING'S ENGINEERING DEPARTMENT REGARDING FASTENER TYPE & SPACING (REFERENCE INSTALLATION INSTRUCTIONS FOR MIN. FASTENER REQUIREMENTS)
2. FLASHINGS TO BE FASTENED AT 20" O.C. MAX. FOR STEEL AND 16" O.C. MAX. FOR ALUMINUM. SEE INSTALLATION INSTRUCTIONS FOR FLASHING INSTALLATION NOTES.



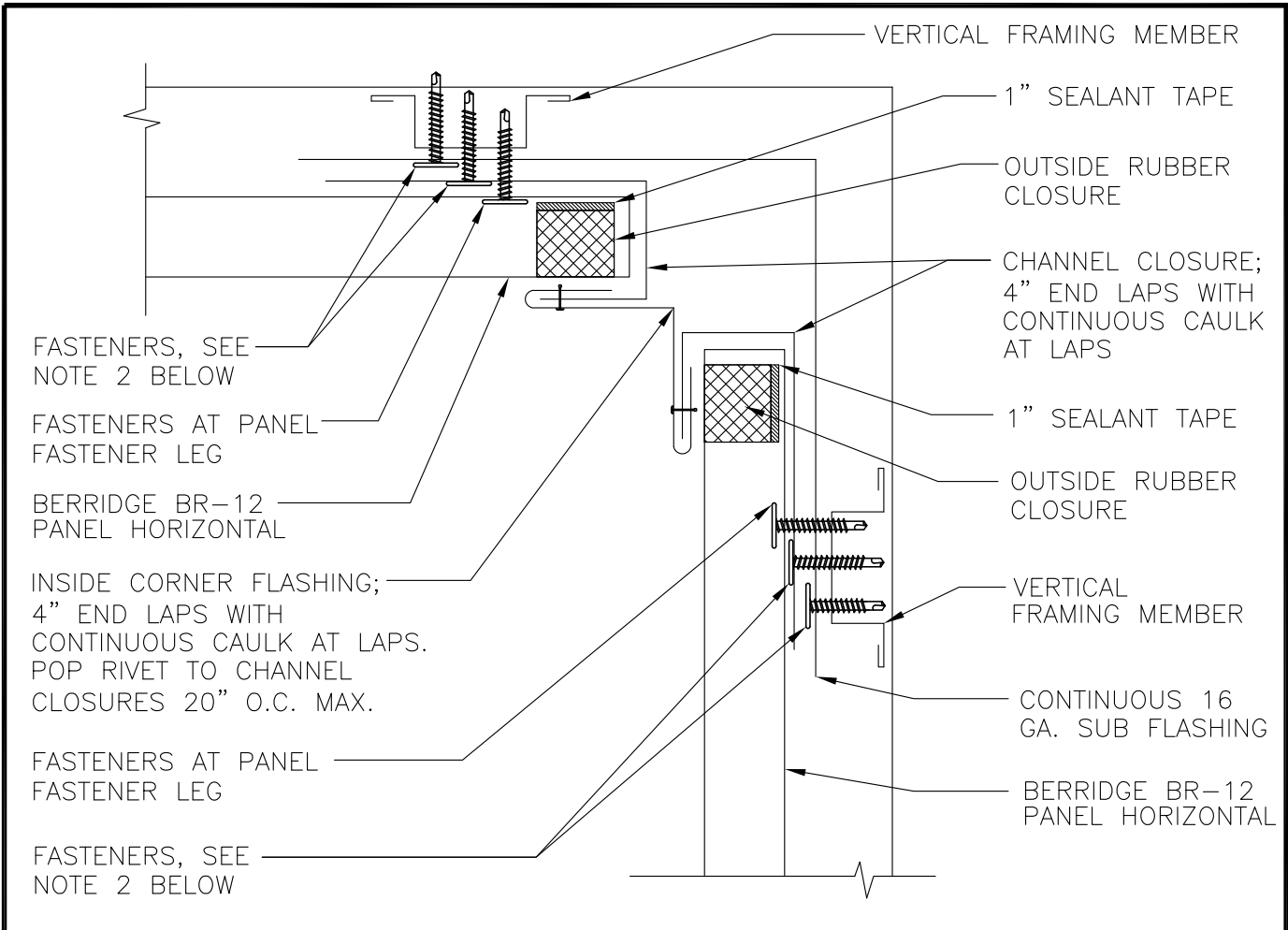
Berridge  
Manufacturing  
Company

**INSIDE CORNER DETAIL  
OPEN FRAMING**

**BR-12 PANEL**

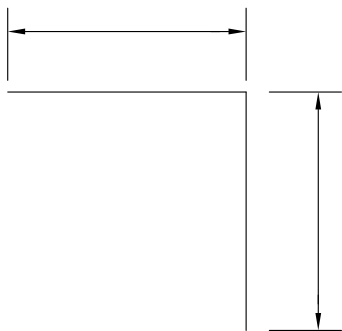
DATE: 1/23/19

PAGE\FILE  
BR-73

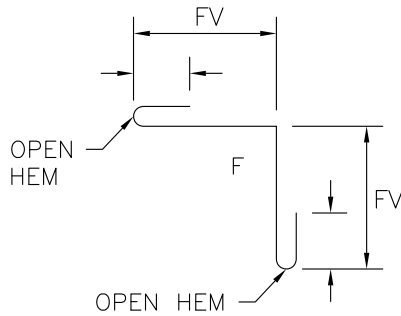


1. REFERENCE BERRIDGE'S WEB SITE FOR APPROVED UNDERLAYMENT AND CAULK TYPES CONSULT BERRIDGE MANUFACTURING'S ENGINEERING DEPARTMENT REGARDING FASTENER TYPE & SPACING (REFERENCE INSTALLATION INSTRUCTIONS FOR MIN. FASTENER REQUIREMENTS)
2. FLASHINGS TO BE FASTENED AT 20" O.C. MAX. FOR STEEL AND 16" O.C. MAX. FOR ALUMINUM. SEE INSTALLATION INSTRUCTIONS FOR FLASHING INSTALLATION NOTES.

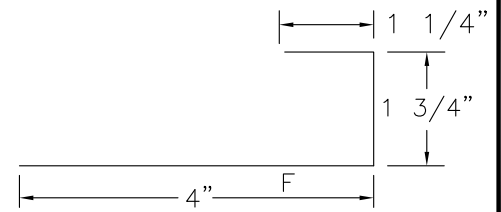
F = FINISH SIDE



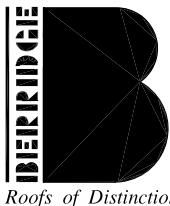
MIN. 16 GA. SUB FLASHING



INSIDE CORNER FLASHING



CHANNEL CLOSURE



**Berridge**  
Manufacturing  
Company

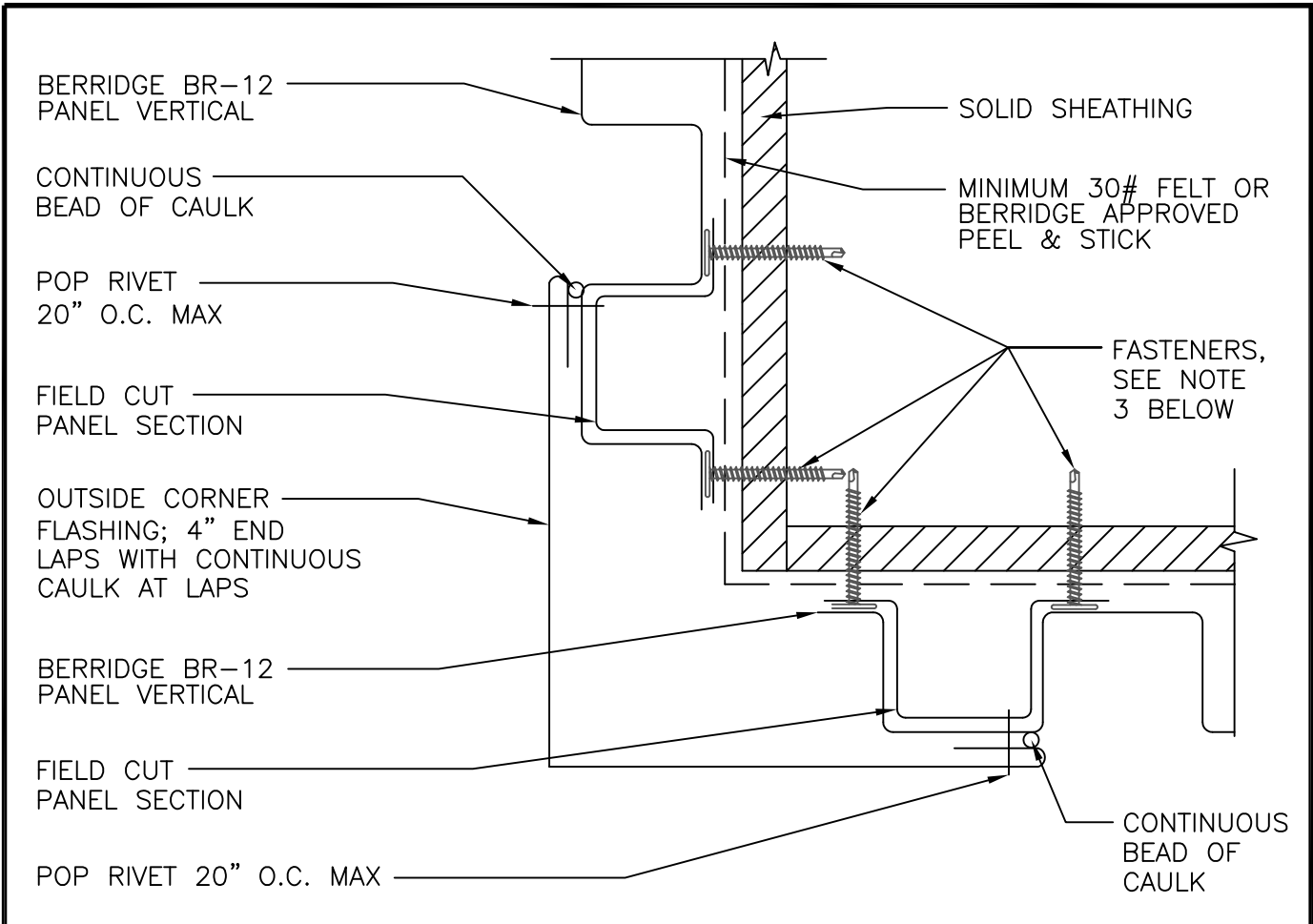
**INSIDE CORNER DETAIL  
OPEN FRAMING**

**BR-12 PANEL**

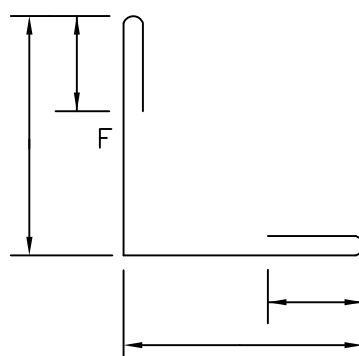
DATE: 1/23/19

PAGE\FILE

**BR-73A**

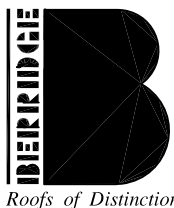


1. SOLID SHEATHING (BY OTHERS) TO MEET ENGINEERING AND ARCHITECTURAL SPECIFICATIONS MINIMUM REQUIREMENTS REFERENCE INSTALLATION INSTRUCTIONS
2. REFERENCE BERRIDGE'S WEB SITE FOR APPROVED UNDERLAYMENT AND CAULK TYPES CONSULT BERRIDGE MANUFACTURING'S ENGINEERING DEPARTMENT REGARDING FASTENER TYPE & SPACING (REFERENCE INSTALLATION INSTRUCTIONS FOR MIN. FASTENER REQUIREMENTS)
3. FLASHINGS TO BE FASTENED AT 20" O.C. MAX. FOR STEEL AND 16" O.C. MAX. FOR ALUMINUM. SEE INSTALLATION INSTRUCTIONS FOR FLASHING INSTALLATION NOTES.



F = FINISH SIDE

OUTSIDE CORNER FLASHING



Berridge  
Manufacturing  
Company

Roofs of Distinction

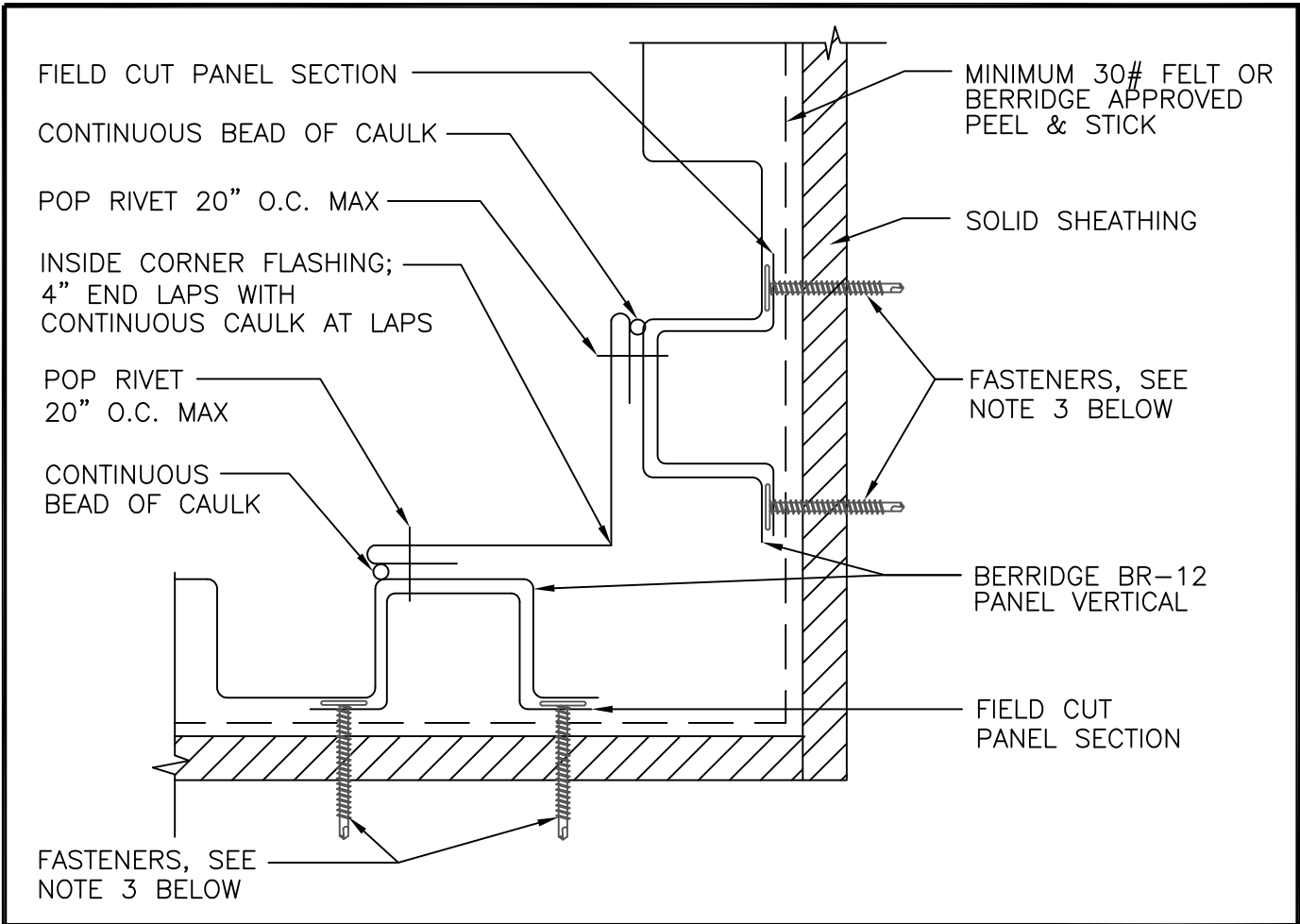
OUTSIDE CORNER DETAIL  
SOLID SHEATHING

BR-12 PANEL

DATE: 1/23/19

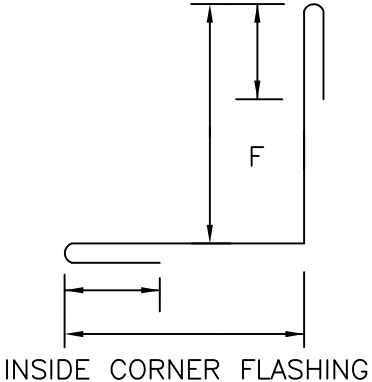
PAGE\FILE

BR-74



1. SOLID SHEATHING (BY OTHERS) TO MEET ENGINEERING AND ARCHITECTURAL SPECIFICATIONS  
MINIMUM REQUIREMENTS REFERENCE INSTALLATION INSTRUCTIONS
2. REFERENCE BERRIDGE'S WEB SITE FOR APPROVED UNDERLAYMENT AND CAULK TYPES  
CONSULT BERRIDGE MANUFACTURING'S ENGINEERING DEPARTMENT REGARDING FASTENER  
TYPE & SPACING (REFERENCE INSTALLATION INSTRUCTIONS FOR MIN. FASTENER REQUIREMENTS)
3. FLASHINGS TO BE FASTENED AT 20" O.C. MAX. FOR STEEL AND 16" O.C. MAX. FOR  
ALUMINUM. SEE INSTALLATION INSTRUCTIONS FOR FLASHING INSTALLATION NOTES.

F = FINISH SIDE



**Berridge**  
Manufacturing  
Company

*Roofs of Distinction*

**INSIDE CORNER DETAIL  
SOLID SHEATHING  
BR-12 PANEL**

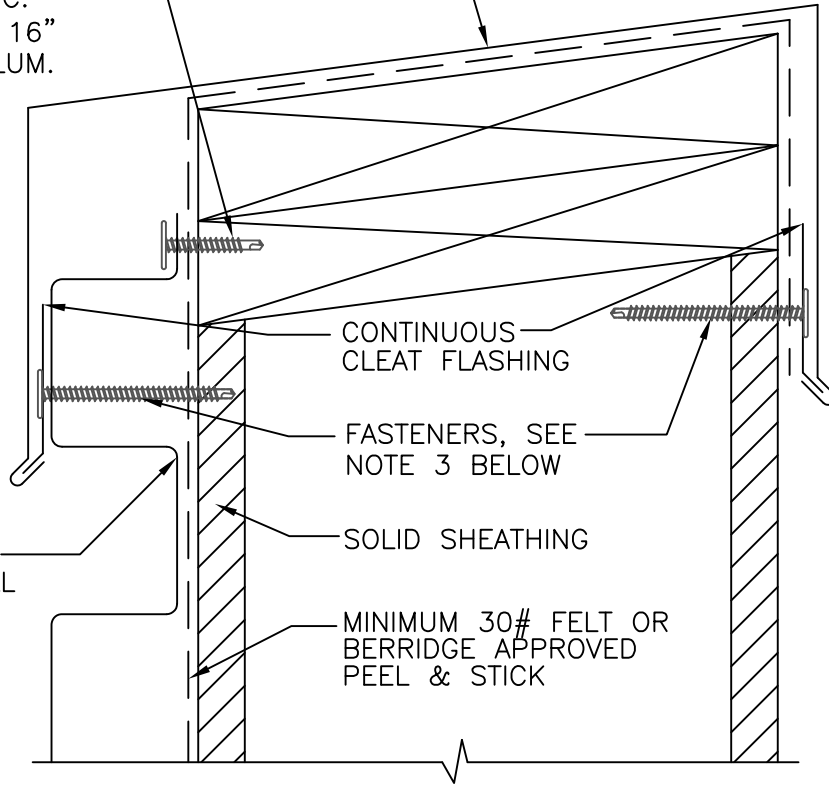
DATE: 1/23/19

PAGE\FILE  
**BR-75**

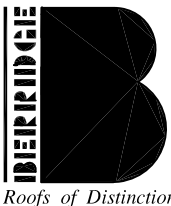
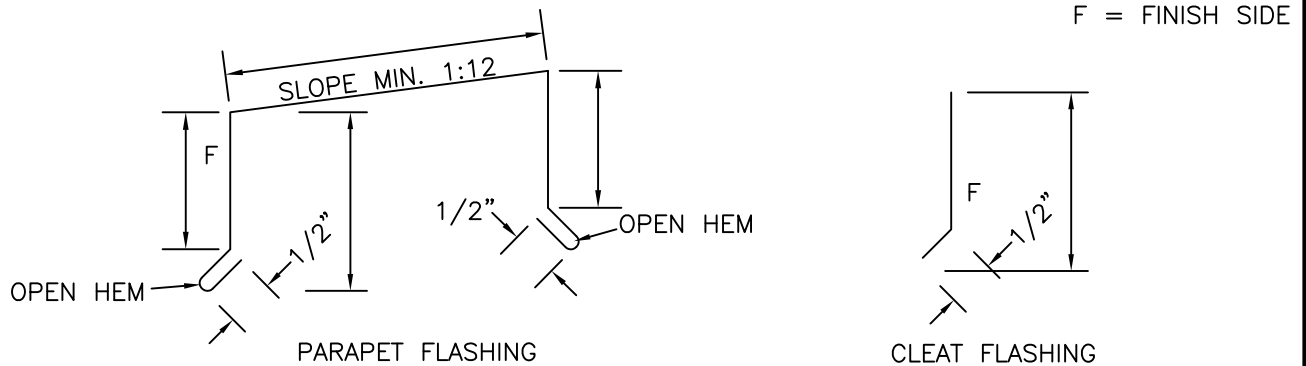
PARAPET FLASHING; 4" END LAPS WITH CONTINUOUS CAULK AT LAPS POP RIVET LAPS CAULK RIVET HEADS

FASTENER; 18" O.C. MAX. FOR STEEL, 16" O.C. MAX. FOR ALUM.

BERRIDGE BR-12 PANEL HORIZONTAL



1. SOLID SHEATHING (BY OTHERS) TO MEET ENGINEERING AND ARCHITECTURAL SPECIFICATIONS MINIMUM REQUIREMENTS REFERENCE INSTALLATION INSTRUCTIONS
2. REFERENCE BERRIDGE'S WEB SITE FOR APPROVED UNDERLAYMENT AND CAULK TYPES CONSULT BERRIDGE MANUFACTURING'S ENGINEERING DEPARTMENT REGARDING FASTENER TYPE & SPACING (REFERENCE INSTALLATION INSTRUCTIONS FOR MIN. FASTENER REQUIREMENTS)
3. FLASHINGS TO BE FASTENED AT 20" O.C. MAX. FOR STEEL AND 16" O.C. MAX. FOR ALUMINUM. SEE INSTALLATION INSTRUCTIONS FOR FLASHING INSTALLATION NOTES.



Berridge Manufacturing Company

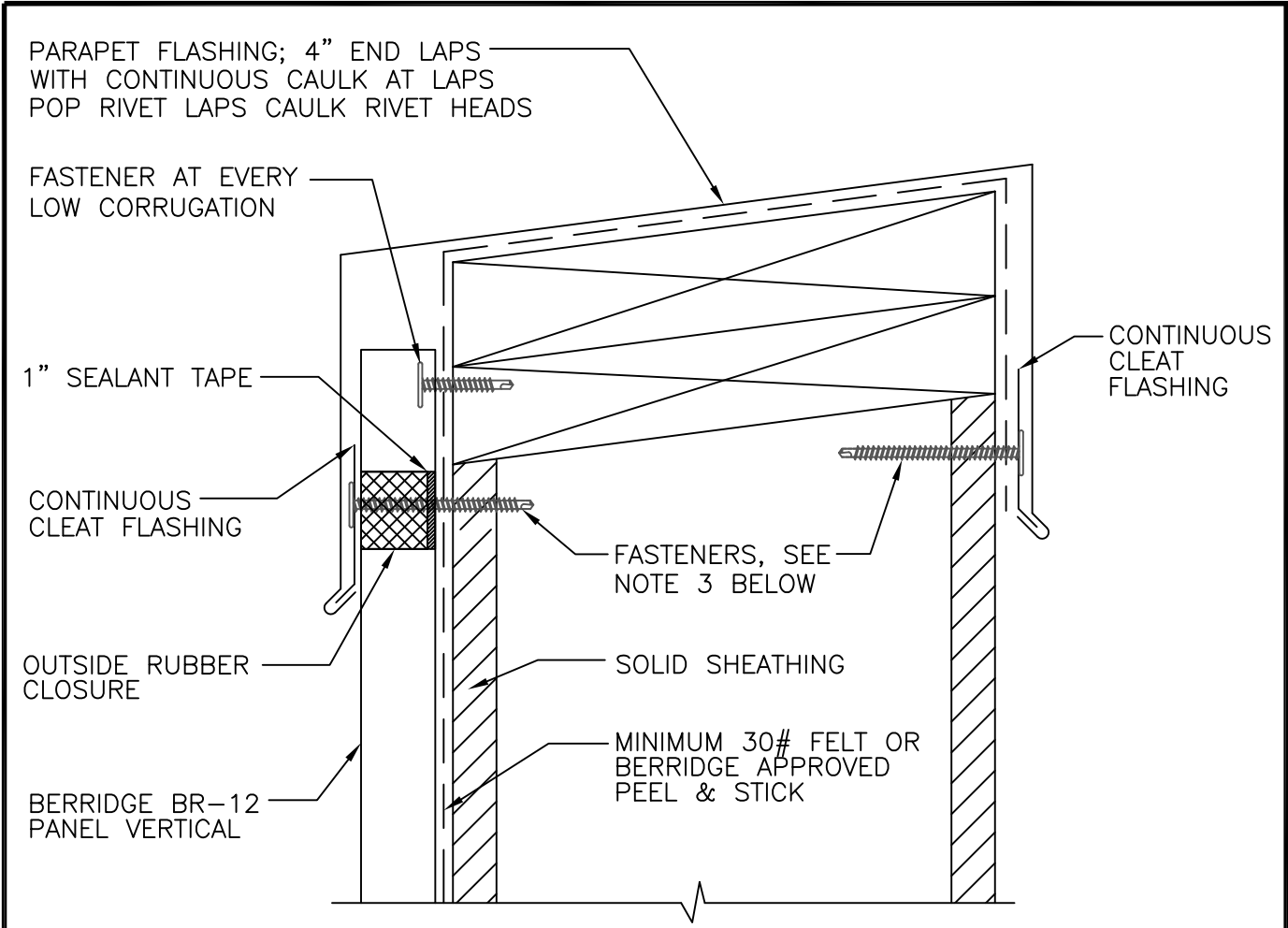
Roofs of Distinction

# PARAPET DETAIL SOLID SHEATHING BR-12 PANEL

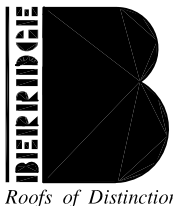
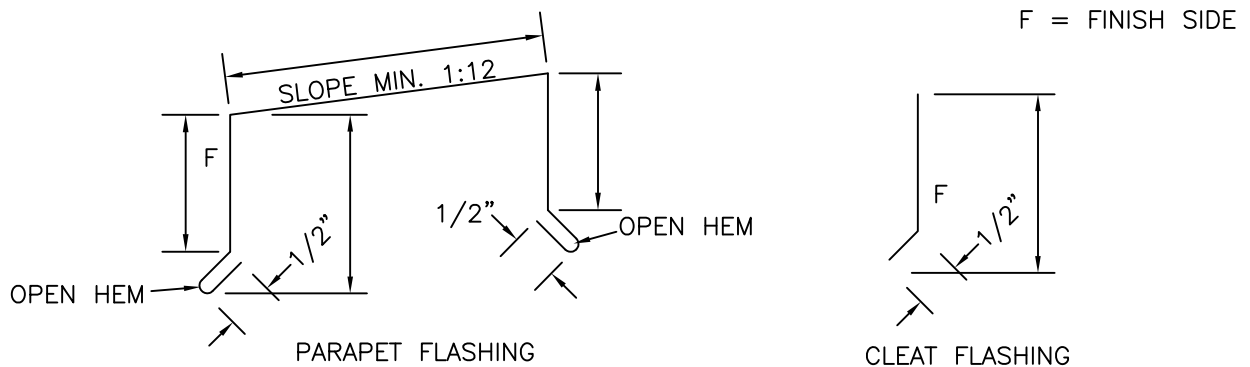
DATE: 1/23/19

PAGE\FILE  
BR-80





1. SOLID SHEATHING (BY OTHERS) TO MEET ENGINEERING AND ARCHITECTURAL SPECIFICATIONS MINIMUM REQUIREMENTS REFERENCE INSTALLATION INSTRUCTIONS
2. REFERENCE BERRIDGE'S WEB SITE FOR APPROVED UNDERLAYMENT AND CAULK TYPES CONSULT BERRIDGE MANUFACTURING'S ENGINEERING DEPARTMENT REGARDING FASTENER TYPE & SPACING (REFERENCE INSTALLATION INSTRUCTIONS FOR MIN. FASTENER REQUIREMENTS)
3. FLASHINGS TO BE FASTENED AT 20" O.C. MAX. FOR STEEL AND 16" O.C. MAX. FOR ALUMINUM. SEE INSTALLATION INSTRUCTIONS FOR FLASHING INSTALLATION NOTES.

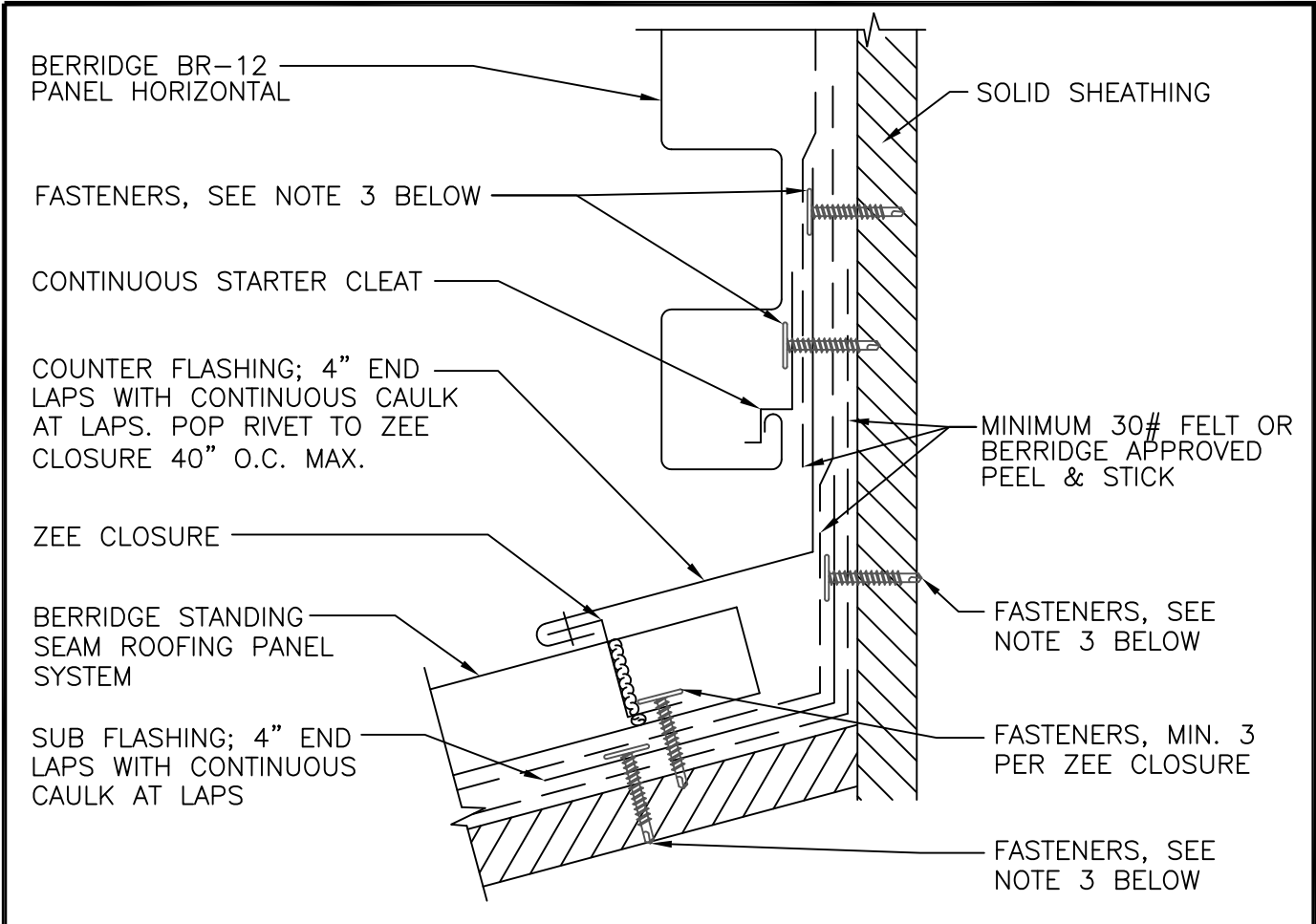


Berridge  
Manufacturing  
Company

PARAPET DETAIL  
SOLID SHEATHING  
BR-12 PANEL

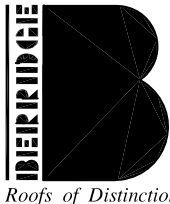
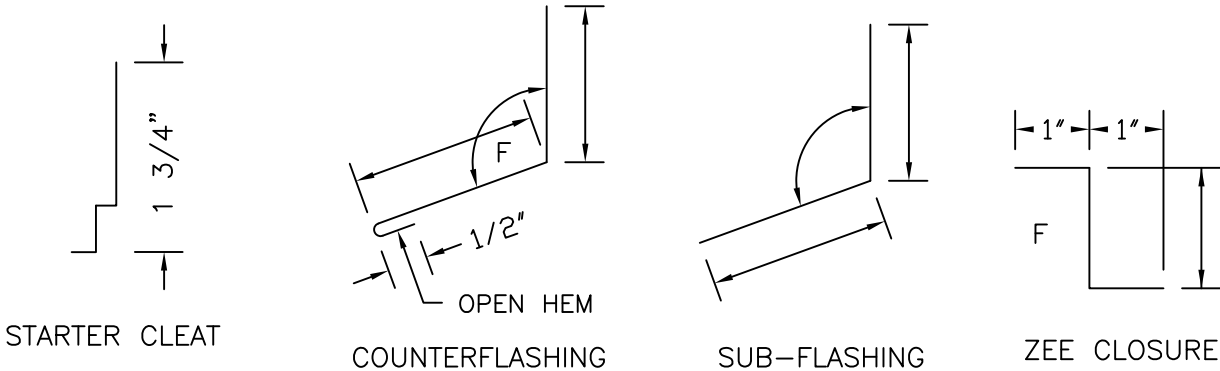
DATE: 1/23/19

PAGE\FILE  
BR-81



1. SOLID SHEATHING (BY OTHERS) TO MEET ENGINEERING AND ARCHITECTURAL SPECIFICATIONS MINIMUM REQUIREMENTS REFERENCE INSTALLATION INSTRUCTIONS
2. REFERENCE BERRIDGE'S WEB SITE FOR APPROVED UNDERLAYMENT AND CAULK TYPES CONSULT BERRIDGE MANUFACTURING'S ENGINEERING DEPARTMENT REGARDING FASTENER TYPE & SPACING (REFERENCE INSTALLATION INSTRUCTIONS FOR MIN. FASTENER REQUIREMENTS)
3. FLASHINGS TO BE FASTENED AT 20" O.C. MAX. FOR STEEL AND 16" O.C. MAX. FOR ALUMINUM. SEE INSTALLATION INSTRUCTIONS FOR FLASHING INSTALLATION NOTES.

F = FINISH SIDE

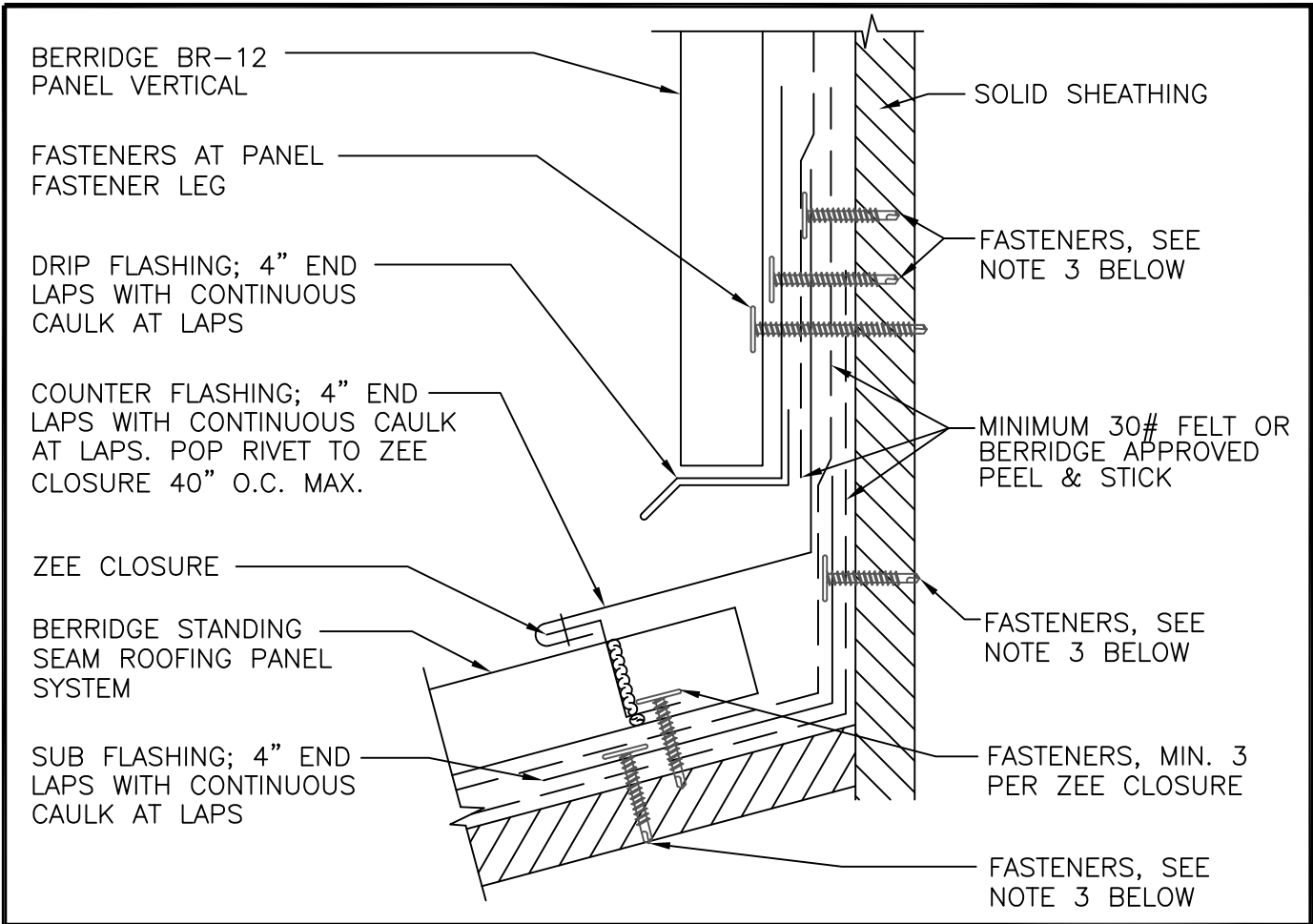


Berridge  
Manufacturing  
Company

**HEAD WALL DETAIL  
SOLID SHEATHING  
BR-12 PANEL**

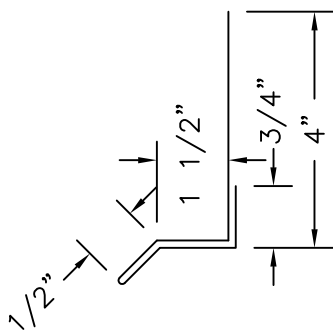
DATE: 1/23/19

PAGE\FILE  
BR-82

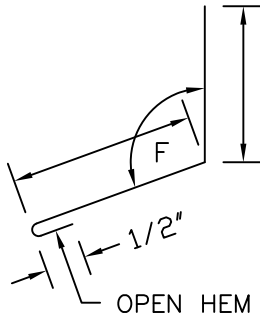


1. SOLID SHEATHING (BY OTHERS) TO MEET ENGINEERING AND ARCHITECTURAL SPECIFICATIONS  
MINIMUM REQUIREMENTS REFERENCE INSTALLATION INSTRUCTIONS
2. REFERENCE BERRIDGE'S WEB SITE FOR APPROVED UNDERLAYMENT AND CAULK TYPES  
CONSULT BERRIDGE MANUFACTURING'S ENGINEERING DEPARTMENT REGARDING FASTENER  
TYPE & SPACING (REFERENCE INSTALLATION INSTRUCTIONS FOR MIN. FASTENER REQUIREMENTS)
3. FLASHINGS TO BE FASTENED AT 20" O.C. MAX. FOR STEEL AND 16" O.C. MAX. FOR  
ALUMINUM. SEE INSTALLATION INSTRUCTIONS FOR FLASHING INSTALLATION NOTES.

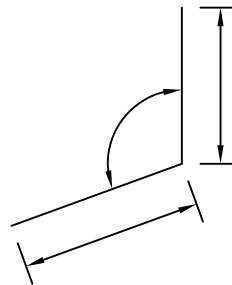
F = FINISH SIDE



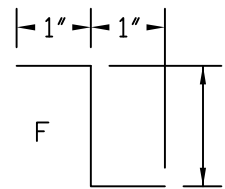
DRIP FLASHING



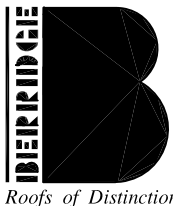
COUNTERFLASHING



SUB-FLASHING



ZEE CLOSURE



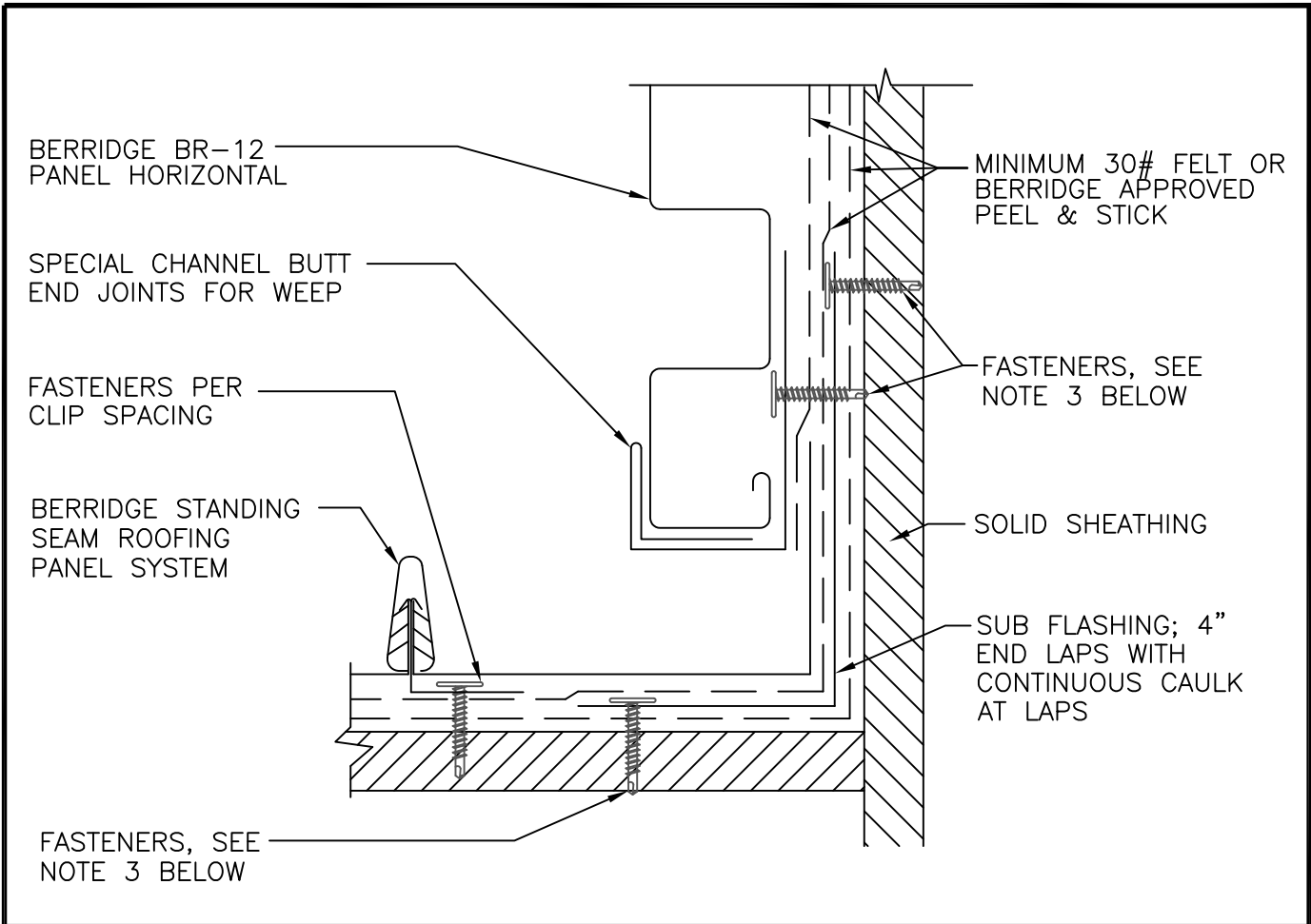
Berridge  
Manufacturing  
Company

Roofs of Distinction

# HEAD WALL DETAIL SOLID SHEATHING BR-12 PANEL

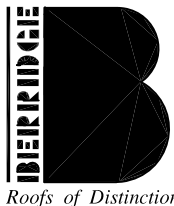
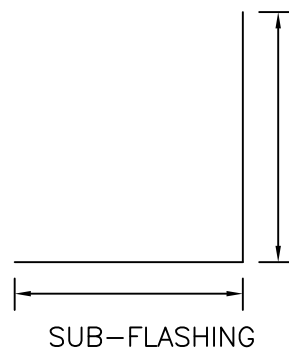
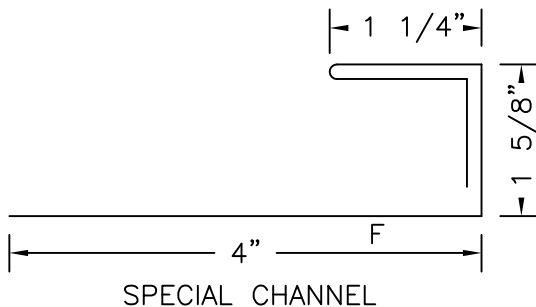
DATE: 1/23/19

PAGE\FILE  
BR-83



1. SOLID SHEATHING (BY OTHERS) TO MEET ENGINEERING AND ARCHITECTURAL SPECIFICATIONS  
MINIMUM REQUIREMENTS REFERENCE INSTALLATION INSTRUCTIONS
2. REFERENCE BERRIDGE'S WEB SITE FOR APPROVED UNDERLAYMENT AND CAULK TYPES  
CONSULT BERRIDGE MANUFACTURING'S ENGINEERING DEPARTMENT REGARDING FASTENER  
TYPE & SPACING (REFERENCE INSTALLATION INSTRUCTIONS FOR MIN. FASTENER REQUIREMENTS)
3. FLASHINGS TO BE FASTENED AT 20" O.C. MAX. FOR STEEL AND 16" O.C. MAX. FOR  
ALUMINUM. SEE INSTALLATION INSTRUCTIONS FOR FLASHING INSTALLATION NOTES.

F = FINISH SIDE

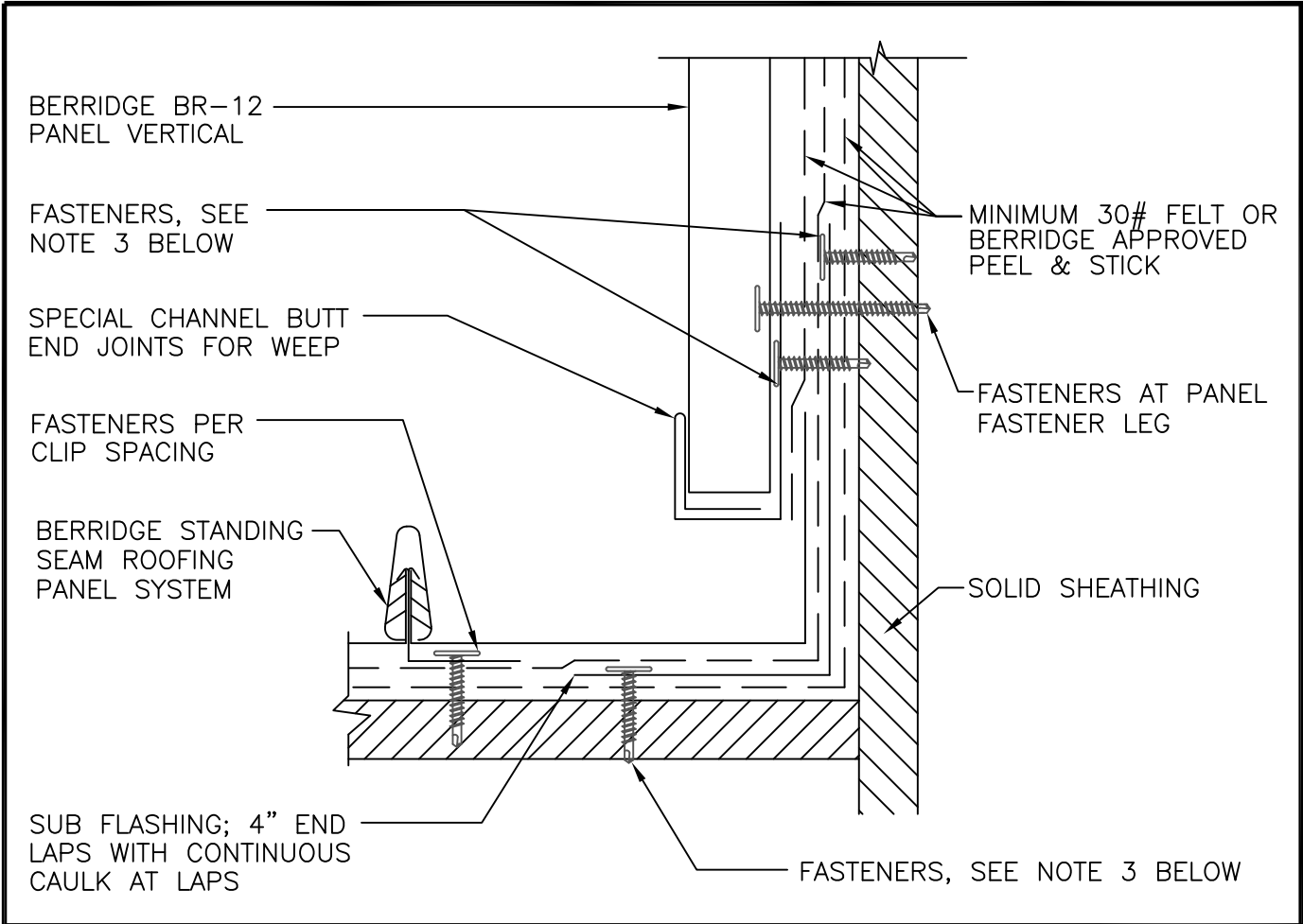


Berridge  
Manufacturing  
Company

**RAKE WALL DETAIL  
SOLID SHEATHING  
BR-12 PANEL**

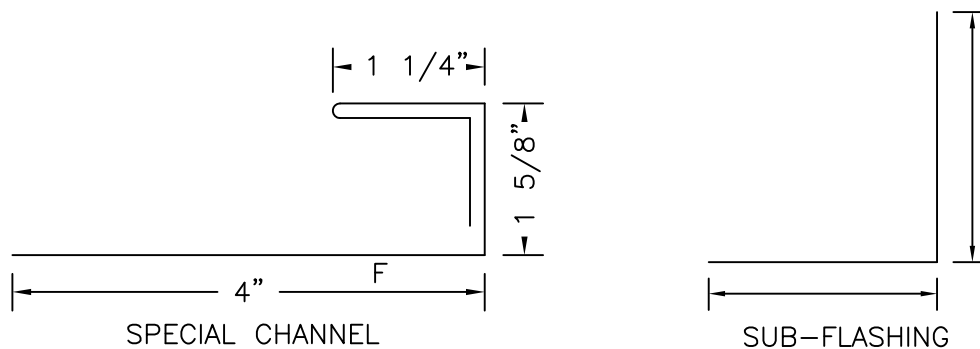
DATE: 1/23/19

PAGE\FILE  
BR-84



1. SOLID SHEATHING (BY OTHERS) TO MEET ENGINEERING AND ARCHITECTURAL SPECIFICATIONS  
MINIMUM REQUIREMENTS REFERENCE INSTALLATION INSTRUCTIONS
2. REFERENCE BERRIDGE'S WEB SITE FOR APPROVED UNDERLAYMENT AND CAULK TYPES  
CONSULT BERRIDGE MANUFACTURING'S ENGINEERING DEPARTMENT REGARDING FASTENER  
TYPE & SPACING (REFERENCE INSTALLATION INSTRUCTIONS FOR MIN. FASTENER REQUIREMENTS)
3. FLASHINGS TO BE FASTENED AT 20" O.C. MAX. FOR STEEL AND 16" O.C. MAX. FOR  
ALUMINUM. SEE INSTALLATION INSTRUCTIONS FOR FLASHING INSTALLATION NOTES.

F = FINISH SIDE



Berridge  
Manufacturing  
Company

Roofs of Distinction

**RAKE WALL DETAIL  
SOLID SHEATHING  
BR-12 PANEL**

DATE: 1/23/19

PAGE\FILE  
BR-85