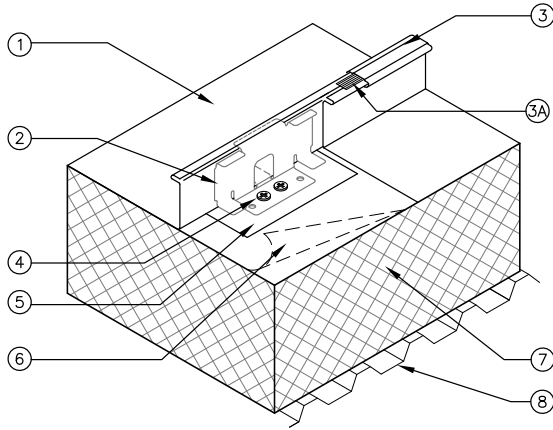


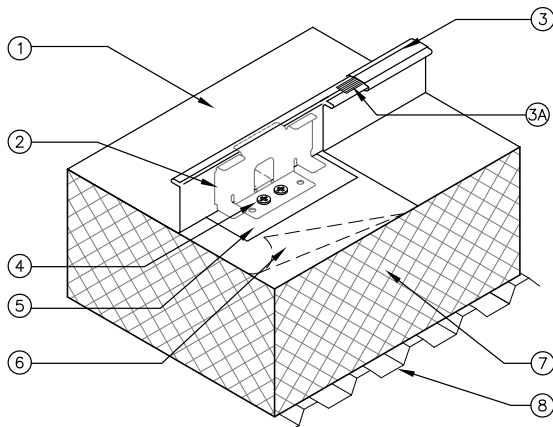
UL 580 CLASS 90 RATED PRODUCT ASSEMBLIES

CONSTRUCTION NO. 268A - Galvalume® BERRIDGE TEE-Lock PANEL WITH INDIVIDUAL TEE-LOCK CLIPS THROUGH 4" OF RIGID BOARD AND INTO 22 GAUGE STRUCTURAL METAL DECK



1. **BERRIDGE TEE-LOCK PANEL:** No. 24 MSG (Min. yield strength 40,000 PSI) thickness coated steel, 18" wide, 2 3/8" high, continuous over two or more spans. Floating end laps to occur over purlins with panels overlapped 8". End lap to begin 3" from purlin web and extend across purlin flange.
2. **BERRIDGE TEE-LOCK CLIPS:** No. 16 MSG (Min. yield strength 50,000 PSI) coated steel, 6" long by 2.718" high. Base to have four 0.281" diameter guide holes to accommodate screw fasteners. Clips spaced 48" on center at every side lap.
3. **BERRIDGE TEE-LOCK SEAM CAP:** Nominal 1" wide x 1/2" deep fabricated from No. 24 MSG (40,000 PSI) coated steel. Cap continuously seamed over panel seams using an electric seaming tool.
 - a. An optional vinyl weatherseal may be used in Seam Cap
4. **FASTENERS (SCREWS):** #12 self-tapping, hex head, steel screws without washers or 1/4-13 with No. 3 Phillips head deck screw. Two fasteners per clip.
5. **CLIP BEARING PLATE:** 6" x 6" No. 22 MSG (Min. yield strength 40,000 PSI) coated steel, used with rigid insulation only
6. **FELT PAPER:** Two ply, No. 30 lb. per 100 sq. ft.
7. **FOAMED PLASTIC:** Max. 4" thick, 2.25 pcf density 20 psi compressive strength rigid closed cell polyisocyanurate core fiberglass faced insulation.
8. **SUBSTRUCTURE (LINER):** No. 22 MSG (Min. yield strength 33,000 PSI) coated steel with a minimum 15/16" depth and a maximum pitch of 7.2 in.
9. **PURLINS:** (Not shown) Cold formed steel sections or structural steel components. Minimum gauge and yield strength to be dependent on design requirements.

CONSTRUCTION NO. 268A - Aluminum BERRIDGE ALUMINUM TEE-LOCK PANEL WITH INDIVIDUAL STAINLESS STEEL TEE-LOCK CLIPS THROUGH 4" OF RIGID BOARD AND INTO 22 GAUGE STRUCTURAL METAL DECK



1. **BERRIDGE TEE-LOCK PANEL:** 0.032" coated Aluminum, 18" wide, 2 3/8" high, continuous over two or more spans. Floating end laps to occur over purlins with panels overlapped 8". End lap to begin 3" from purlin web and extend across purlin flange.
2. **BERRIDGE TEE-LOCK CLIPS:** No. 16 MSG (Min. yield strength 50,000 PSI) stainless steel, 6" long by 2.718" high. Base to have four 0.281" diameter guide holes to accommodate screw fasteners. Clips spaced 48" on center at every side lap.
3. **BERRIDGE TEE-LOCK SEAM CAP:** Nominal 1" wide x 1/2" deep fabricated from 0.032" coated Aluminum. Cap continuously seamed over panel seams using an electric seaming tool.
 - a. An optional vinyl weatherseal may be used in Seam Cap
4. **FASTENERS (SCREWS):** # 12 self-tapping, hex head, steel screws without washers or 1/4-13 with No. 3 Phillips head deck screw. Two fasteners per clip.
5. **CLIP BEARING PLATE:** 6" x 6" No. 22 MSG (Min. yield strength 40,000 PSI) coated steel, used with rigid insulation only
6. **FELT PAPER:** Two ply, No. 30 lb. per 100 sq. ft.
7. **FOAMED PLASTIC:** Max. 4" thick, 2.25 pcf density 20 psi compressive strength rigid closed cell polyisocyanurate core fiberglass faced insulation.
8. **SUBSTRUCTURE (LINER):** No. 22 MSG (Min. yield strength 33,000 PSI) coated steel with a minimum 15/16" depth and a maximum pitch of 7.2 in.
9. **PURLINS:** (Not shown) Cold formed steel sections or structural steel components. Minimum gauge and yield strength to be dependent on design requirements.

BERRIDGE MANUFACTURING COMPANY

2610 Harry Wurzbach Road, San Antonio, TX 78209 | 800-669-0009 | Fax 210-650-0379

Visit www.berridge.com for the most up-to-date information. All information herein subject to change without notice. For technical assistance please contact Berridge.