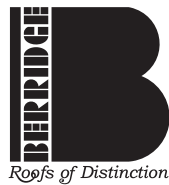
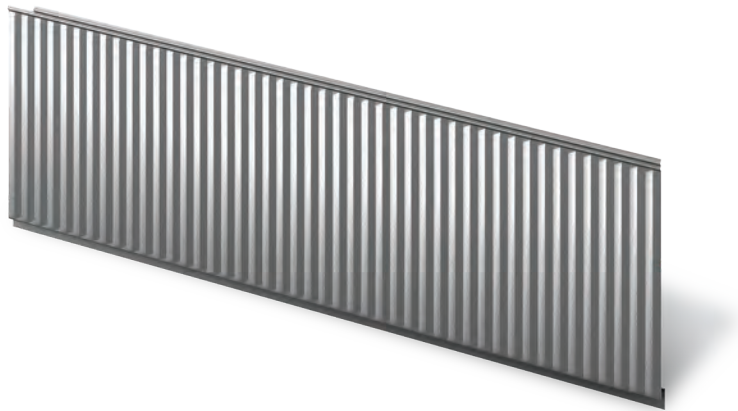


FLUTED FASCIA PANEL INSTALLATION DETAILS



**BERRIDGE
MANUFACTURING
COMPANY**

800-669-0009 • www.Berridge.com

INDEX	FF-0
INSTALLATION INSTRUCTIONS	FFI-1
INSTALLATION INSTRUCTIONS	FFI-2
INSTALLATION INSTRUCTIONS	FFI-3
INTRODUCTION TO TYPICAL DETAILS	FF-2
PANEL OVERVIEW	FF-5
EAVE DETAIL	FF-10
FASCIA / SOFFIT DETAIL	FF-20
FOUNDATION TRIM DETAIL	FF-21
GABLE DETAIL	FF-30
OUTSIDE CORNER DETAIL	FF-40
INSIDE CORNER DETAIL	FF-41
HEAD DETAIL	FF-50
JAMB DETAIL	FF-51
SILL DETAIL	FF-52



**Berridge
Manufacturing
Company**

INDEX

FLUTED FASCIA PANEL

DATE: 11/11/02

PAGE\FILE
FF-0

A. BERRIDGE FLUTED FASCIA PANEL: IS DESIGNED FOR WALL APPLICATIONS OVER CONTINUOUS SOLID SHEATHING, THE PANEL SYSTEM IS FACTORY FABRICATED WITH AN EXPOSURE OF 34 1/2" HORIZONTAL BY 10" VERTICAL.

B. MATERIAL STORAGE: CAUTION MUST BE EXERCISED IN STORAGE OF MATERIALS PRIOR TO INSTALLATION. KEEP ALL BERRIDGE PREFINISHED MATERIAL IN A DRY LOCATION WITH ADEQUATE VENTILATION AND OUT OF DIRECT SUNLIGHT.

EXPOSURE TO DIRECT SUNLIGHT AND/OR MOISTURE MAY CAUSE THE FACTORY APPLIED STRIPPABLE PLASTIC FILM TO ADHERE TO THE METAL PERMANENTLY AND DISCOLOR THE FINISH.

C. STRIPPABLE FILM: THE STRIPPABLE PLASTIC FILM WHICH IS APPLIED OVER MOST BERRIDGE PREFINISHED PRODUCTS, PANELS, FLASHINGS, COILS AND FLAT SHEETS PROTECTS THE FINISH DURING FABRICATION AND TRANSIT. THIS FILM MUST BE REMOVED PRIOR TO INSTALLATION.

D. SOLID SHEATHING REQUIREMENTS: BERRIDGE MANUFACTURING COMPANY RECOMMENDS THE USES OF A MINIMUM OF 1/2" SOLID WOOD SHEATHING TO PROVIDE SUFFICIENT HOLDING POWER FOR FASTENERS. CONTACT BERRIDGE MANUFACTURING'S ENGINEERING DEPARTMENT FOR USE OF ANY OTHER TYPE OF SOLID SHEATHING.

E. SHEATHING INSPECTION:

1. SHEATHING END JOINTS SHOULD BE STAGGERED.

2. ALL END JOINTS SHOULD MEET AT EITHER A JOIST OR FRAMING MEMBER.

3. BLOCKING OR "H" CLIPS SHOULD BE USED ON SHEATHING IF JOINTS DO NOT REMAIN FLAT.

4. USE SHIMS TO KEEP ENTIRE SUBSTRATE EVEN. SUBSTRATE SHOULD BE LEVEL TO 1/4" IN 20'-0", UNEVEN SUBSTRATE WILL EFFECT PANEL COURSES, PANEL PITCH, AND PANELS WILL APPEAR FROM A DISTANCE A DIFFERENT SHADE.

5. ALL CUTS AT PENETRATIONS SHOULD BE TIGHT, WITHOUT GAPS.

6. MAKE SURE SUBSTRATE JOINTS ARE TIGHT AT ALL CORNERS.

F. FELT UNDERLAYMENT: A SINGLE LAYER OF NUMBER THIRTY FELT UNDERLAYMENT (OR EQUAL) MUST BE APPLIED OVER SOLID SHEATHING AS SHOWN IN THE BERRIDGE MANUFACTURING COMPANY TYPICAL DETAILS. THE USE OF ADDITIONAL LAYERS OF NUMBER THIRTY FELT IS RECOMMENDED AT CERTAIN OTHER FLASHING CONDITIONS.

G. FELTING INSTALLATION:

1. DO NOT USE RED ROSIN PAPER UNDER METAL ROOFING PANELS.

2. USE FLAT HEAD GALVANIZED ROOFING NAILS x 1-1/4" LONG WITH BERRIDGE GALVANIZED FELT CAPS.

3. INSTALL FELT PARALLEL TO HORIZONTAL DIMENSION OF PANEL, STARTING AT BOTTOM OF WALL AND USING MINIMUM 6" LAPS, CARRY FELT TO TOP OF WALL.

4. INSULATE BETWEEN WOOD AND WOOD BLOCKING AND METAL WITH FELT.



**Berridge
Manufacturing
Company**

INSTALLATION INSTRUCTIONS

FLUTED FASCIA PANEL

DATE: 11/11/02

PAGE\FILE
FFI-I

H. ELECTROLYSIS: AVOID ALLOWING FLASHING AND PANELS TO COME INTO CONTACT WITH EITHER LEAD OR COPPER, AND PREVENT EXPOSURE TO WATER RUNDOWN FROM COPPER AND/OR LEAD.

I. FLASHING: IF BERRIDGE MANUFACTURING COMPANY IS TO SUPPLY FLASHING, ALL FLASHINGS WILL BE FABRICATED IN 10'-0" LENGTHS WITH SQUARE END CUTS ONLY. THE PURCHASER MUST PROVIDE ALL DIMENSIONS AND DEGREE OF ANGLES.

J. FLASHING INSTALLATION:

1. REMOVE STRIPPABLE PLASTIC FILM FROM ALL FLASHINGS PRIOR TO INSTALLATION.
2. ALWAYS STAGGER JOINTS WHEN ONE FLASHING IS INSTALLED OVER OTHER FLASHINGS.
3. INSTALL ALL FLASHINGS AS PER BERRIDGE TYPICAL DETAILS.
4. ALL FLASHINGS ARE TO BE DESIGNED AND INSTALLED TO NOT TRAP WATER.

K. PANEL INSTALLATION:

1. REMOVE STRIPPABLE PLASTIC FILM FROM EACH PANEL PRIOR TO INSTALLATION.
2. START AT UPPER LEFT CORNER OF WALL AND STAGGER AS SHOWN ON DETAIL FF-5
3. USE CHALK LINES AT EVERY COURSE TO KEEP PANELS STRAIGHT.
4. PANELS INTERLOCK FROM COURSE TO COURSE AND OVERLAP AT SIDE LAP.
5. KEEP PANELS ALIGNED SO THAT COURSES MATCH AT CORNERS AND AROUND WALL OPENINGS, INSTALL 4 TO 5 COURSES ON ONE ELEVATION AND THEN FOLLOW WITH A LIKE NUMBER OF COURSES ON THE OTHER ELEVATION, WHEN INSTALLATION IN THIS MANNER YOU WILL BE ABLE TO MAKE ANY ADJUSTMENTS REQUIRED TO INSURE COURSE MATCHING.
6. TRIM PANELS AS NECESSARY SO THAT EDGES FIT INTO FLASHING TRIM SHOWN IN TYPICAL DETAILS.
7. WHEN PANELS REACH THE BOTTOM OF THE WALL TRIM THE PANELS SO THAT THEY FIT INTO J-CLIPS / CHANNEL FLASHING AT BOTTOM AS WELL AS INTO INTERLOCK OF PANEL ABOVE.
8. PRE PLANING AND LAYOUT OF PANELS AND COURSES IS RECOMMENDED TO ACCOMPLISH DESIRED PATTERN.



**Berridge
Manufacturing
Company**

INSTALLATION INSTRUCTIONS

FLUTED FASCIA PANEL

DATE: 11/11/02

PAGE\FILE

FFI-2

L. FASTENERS: INSTALL FASTENERS PER TYPICAL DETAILS, USE PANCAKE HEAD ZINC-PLATED SCREWS WITH PHILLIPS INSERT.

WHEN USING POP RIVETS, STAINLESS STEEL RIVETS ARE RECOMMENDED TO AVOID RUST STAINS.

MAKE SURE ALL FASTENERS ARE DRIVEN STRAIGHT AND SET FLAT. DO NOT OVERDRIVE FASTENERS, AS THIS WILL CAUSE BUCKLEING OF SHINGLES.

M. SEALANT RECOMMENDATIONS: TREMCO INC. SPECTREM 1 OR EQUAL.
DO NOT USE CLEAR CAULK.

** CONSULT BERRIDGE MANUFACTURING'S ENGINEERING DEPARTMENT REGARDING THE USE OF ANY OTHER TYPE OF FASTENER.

BERRIDGE MANUFACTURING COMPANY STRIVES TO PROVIDE ITS CUSTOMERS WITH THE HIGHEST QUALITY STRETCHER LEVELED STEEL AVAILABLE. THE LATEST TECHNOLOGY IS ALSO INCORPORATED IN BERRIDGE'S HIGH-PRECISION COIL HANDLING AND ROLL FORMING EQUIPMENT TO MINIMIZE THE STRESS ON METAL DURING PRODUCTION. FURTHERMORE, BERRIDGE UTILIZES HEAVIER 24 GAUGE METAL RATHER THAN 26 GAUGE STEEL OR LIGHT GAUGE ALUMINUM AS OFFERED BY MANY COMPETITORS. ALL THESE MEASURES HAVE BEEN TAKEN TO MINIMIZE THE AMOUNT OF "OIL-CANNING" (WAVINESS) WHICH IS NATURALLY INHERENT IN FLAT SHEET METAL. MANY TIMES, HOWEVER, THE CAUSE OF WAVINESS OR "OIL-CANNING" CAN BE TRACED TO UNEVEN SHEATHING, IMPROPER FELT INSTALLATION, IMPROPER HANDLING, OR FOOT TRAFFIC ON THE PANELS.

ALL ARCHITECTURAL PRODUCTS REQUIRE CARE IN HANDLING AND INSTALLATION TO AVOID DAMAGING OR DEFORMING THE PANELS.

THESE INSTALLATION INSTRUCTIONS AND THE FOLLOWING TYPICAL DETAILS ARE INTENDED TO PROVIDE OUR CUSTOMERS WITH THE INFORMATION REQUIRED FOR AN AESTHETICALLY PLEASING AND FUNCTIONAL INSTALLATION OF THE BERRIDGE FLUTED FASCIA PANEL SYSTEM.

NOTE: ALL PRODUCTS, SPECIFICATIONS, DETAILS, AND INSTRUCTIONS SUBJECT TO CHANGE WITHOUT NOTICE. FOR SPECIFIC PROJECT DETAILS, CONTACT BERRIDGE.



**Berridge
Manufacturing
Company**

INSTALLATION INSTRUCTIONS

DATE: 11/11/02

FLUTED FASCIA PANEL

PAGE\FILE

FFI-3

THE DETAILS CONTAINED IN THE FOLLOWING PAGES ARE MERELY RECOMMENDATIONS AS TO HOW BERRIDGE MANUFACTURING MATERIALS SHOULD BE INSTALLED. THEY MAY REQUIRE ADAPTATIONS OR MODIFICATIONS FOR A SPECIFIC PROJECT AS CONDITIONS VARY IN BOTH BUILDING DESIGN AND LOCAL WEATHER PECULIARITIES.

BERRIDGE MANUFACTURING COMPANY SHALL BE HELD HARMLESS FROM ANY AND ALL CLAIMS ARISING FROM LACK OF WATERTIGHTNESS AS A RESULT OF FOLLOWING THESE RECOMMENDED DETAILS. ENSURING WATERTIGHTNESS ON ANY GIVEN PROJECT IS THE FUNCTION OF THE INSTALLER. THE ARCHITECT/GENERAL CONTRACTOR/INSTALLER MUST ACCEPT THE RESPONSIBILITY TO ADAPT THESE DETAILS TO MEET PARTICULAR BUILDING REQUIREMENTS AND TO ASSURE ADEQUATE WATERTIGHTNESS.

THE INSTALLER CAN VIRTUALLY ASSURE WATERTIGHTNESS IF THESE FLASHING DETAILS HAVE BEEN PROPERLY ADAPTED, ADEQUATE LAPS HAVE BEEN PROVIDED, CORRECT TYPE OF SEALANT USED, ALL JOINTS ADEQUATELY CAULKED, AND PROFESSIONAL WORKMANSHIP EMPLOYED.



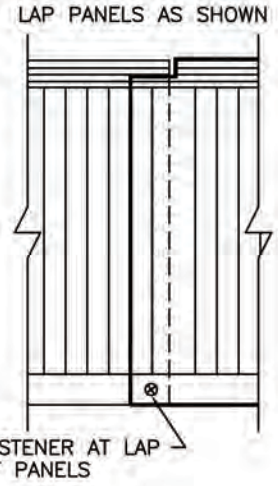
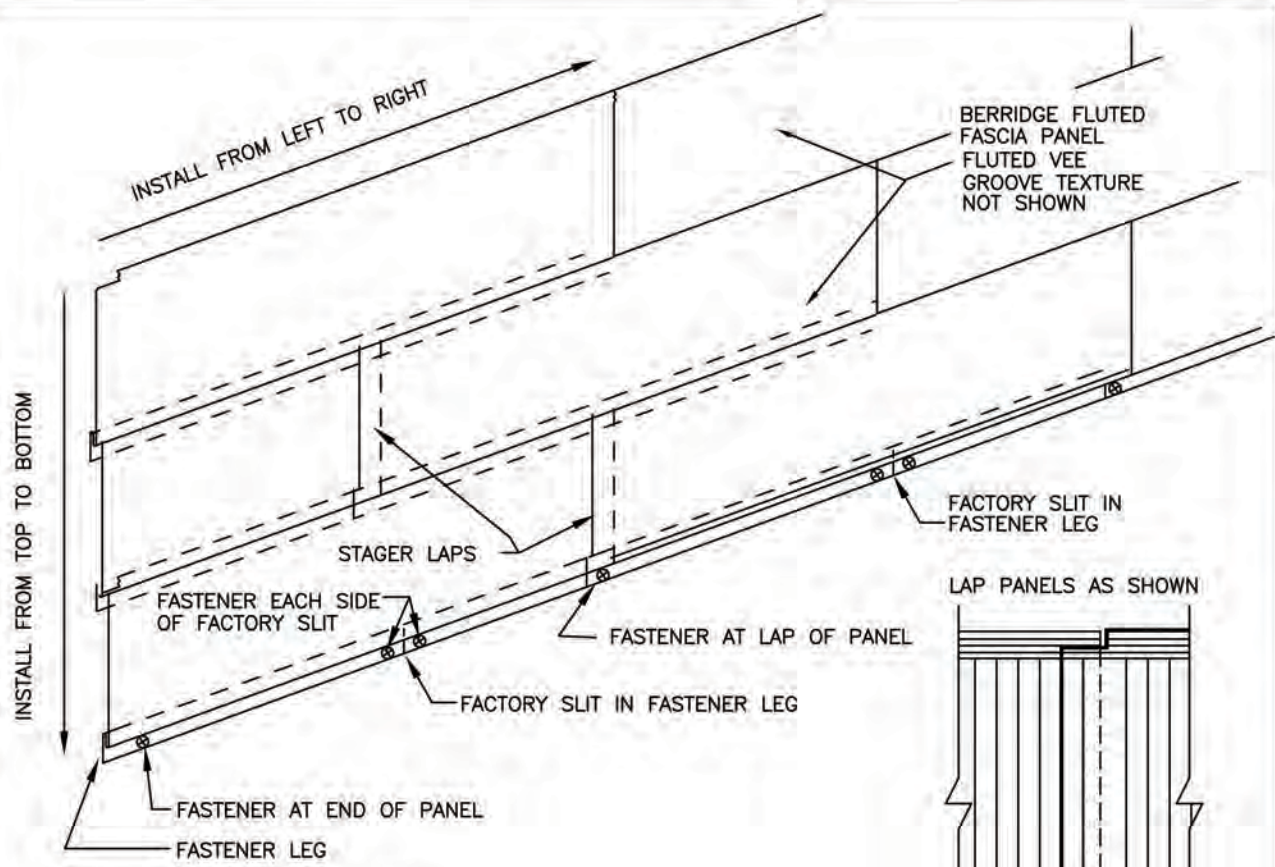
**Berridge
Manufacturing
Company**

**INTRODUCTION TO
TYPICAL DETAILS**

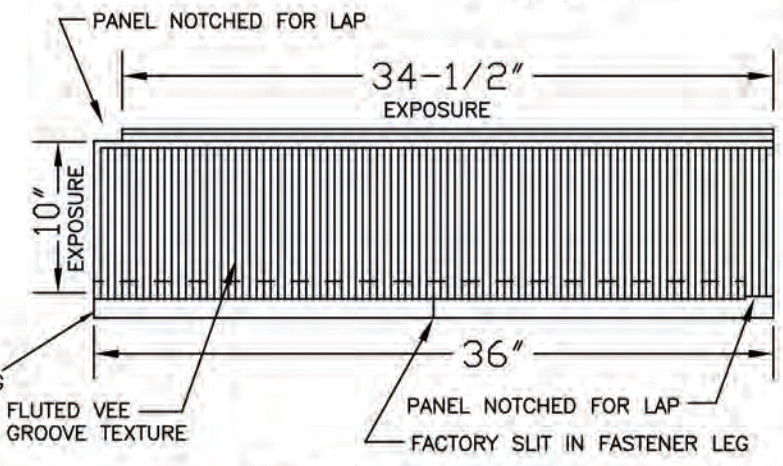
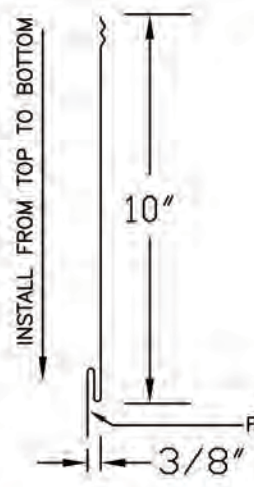
FLUTED FASCIA PANEL

DATE: 11/11/02

PAGE\FILE
FF-2



34-1/2" X 10" (NOMINAL) EXPOSURE
 PANEL INTERLOCK FOR WIND RESISTANCE
 HIDDEN FASTENERS



PANEL SECTION

FLUTED FASCIA PANEL

BERRIDGE
B
 Berridge
 Manufacturing
 Company
Roofs of Distinction

PANEL OVERVIEW
 NOT TO SCALE
FLUTED FASCIA PANEL

DATE: 06/12/17
 PAGE\FILE
FF-5

BERRIDGE ROOFING PANEL SYSTEM

EAVE FLASHING; 4" END LAPS WITH CONTINUOUS CAULK AT LAPS

J-CLIP 4" END LAPS WITH CONTINUOUS CAULK AT LAPS

CONTINUOUS BEAD OF CAULK

BERRIDGE FLUTED FASCIA PANEL

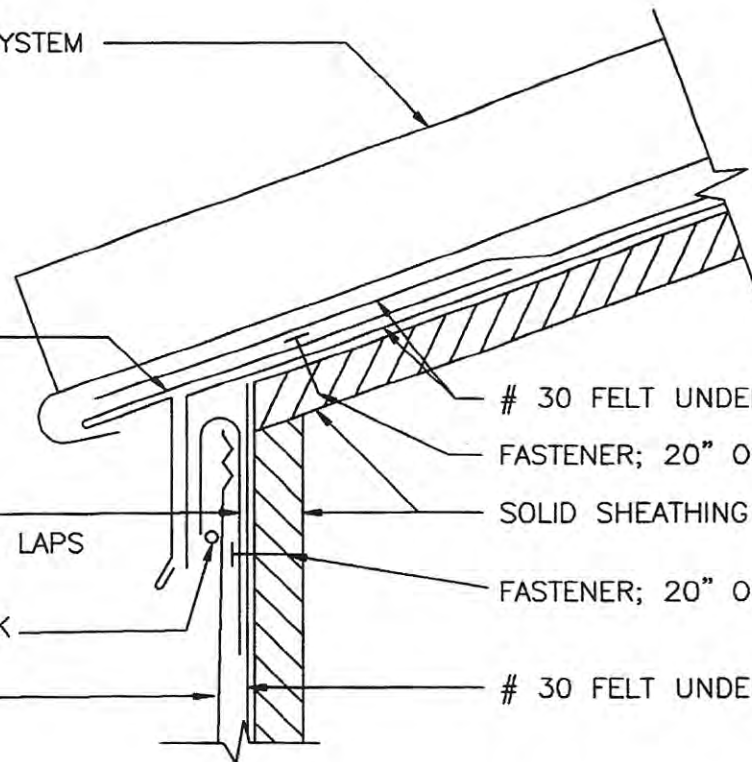
30 FELT UNDERLAYMENT

FASTENER; 20" O.C. MAX.

SOLID SHEATHING

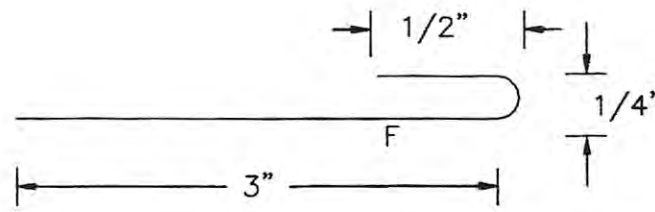
FASTENER; 20" O.C. MAX.

30 FELT UNDERLAYMENT



1. SOLID SHEATHING (BY OTHERS) TO BE MINIMUM 1/2" PLYWOOD OR EQUIVALENT IN STRENGTH FOR HOLDING POWER OF FASTENERS.
2. ALL FELT UNDERLAYMENT, CAULKING, AND FASTENERS, ARE ITEMS TO BE FURNISHED AND INSTALLED BY THE ROOFING INSTALLER AT THE DISCRETION OF THE ARCHITECT.

F = FINISH SIDE



J-CLIP



**Berridge
Manufacturing
Company**

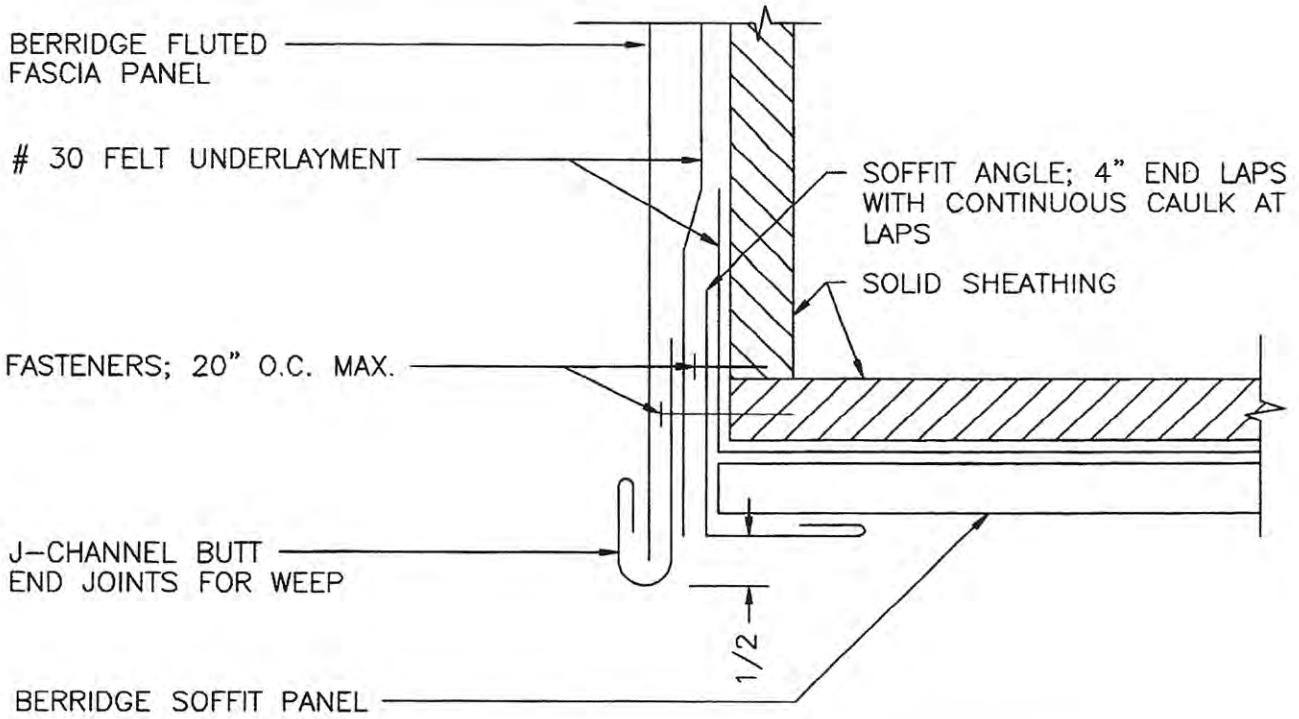
EAVE DETAIL

DATE: 11/11/02

FLUTED FASCIA PANEL

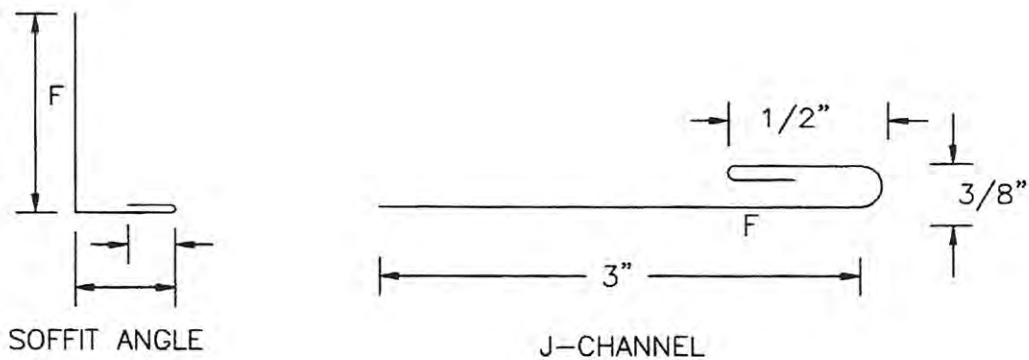
PAGE\FILE

FF-10



1. SOLID SHEATHING (BY OTHERS) TO BE MINIMUM 1/2" PLYWOOD OR EQUIVALENT IN STRENGTH FOR HOLDING POWER OF FASTENERS.
2. ALL FELT UNDERLAYMENT, CAULKING, AND FASTENERS, ARE ITEMS TO BE FURNISHED AND INSTALLED BY THE ROOFING INSTALLER AT THE DISCRETION OF THE ARCHITECT.

F = FINISH SIDE



**Berridge
Manufacturing
Company**

Roofs of Distinction

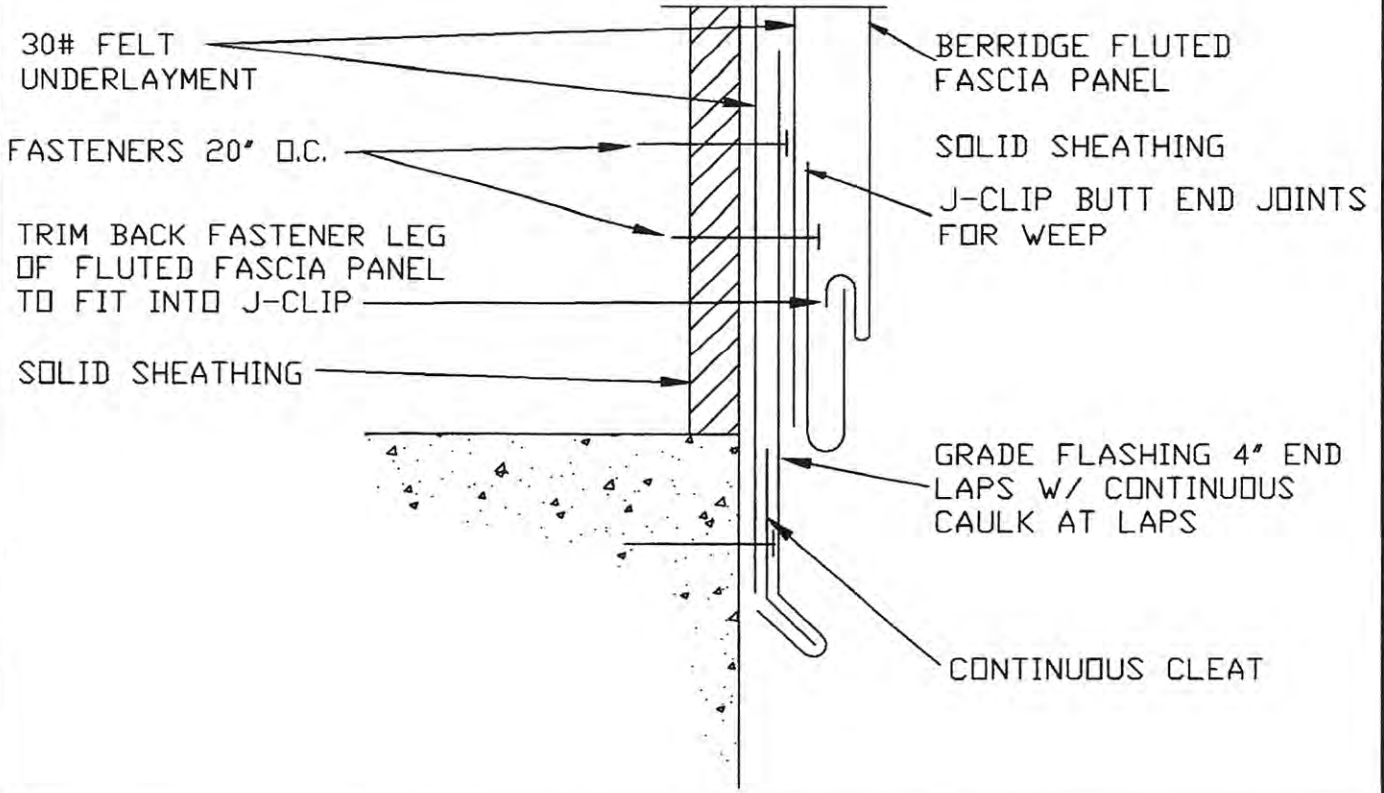
FASCIA / SOFFIT DETAIL

DATE: 11/11/02

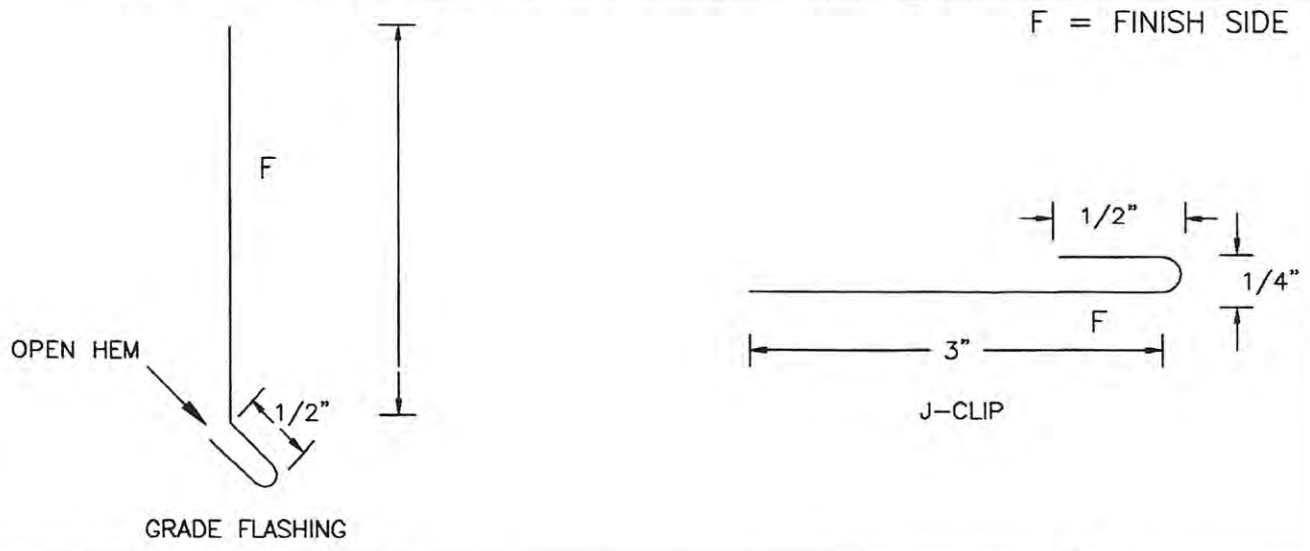
FLUTED FASCIA PANEL

PAGE \ FILE

FF-20



1. SOLID SHEATHING (BY OTHERS) TO BE MINIMUM 1/2" PLYWOOD OR EQUIVALENT IN STRENGTH FOR HOLDING POWER OF FASTENERS.
2. ALL UNDERLAYMENT, CAULKING, AND FASTENERS, ARE ITEMS TO BE FURNISHED AND INSTALLED BY THE ROOFING INSTALLER AT THE DISCRETION OF THE ARCHITECT.



B Berridge Manufacturing Company
Roofs of Distinction

FOUNDATION TRIM DETAIL

FLUTED FASCIA PANEL

DATE: 11/11/02

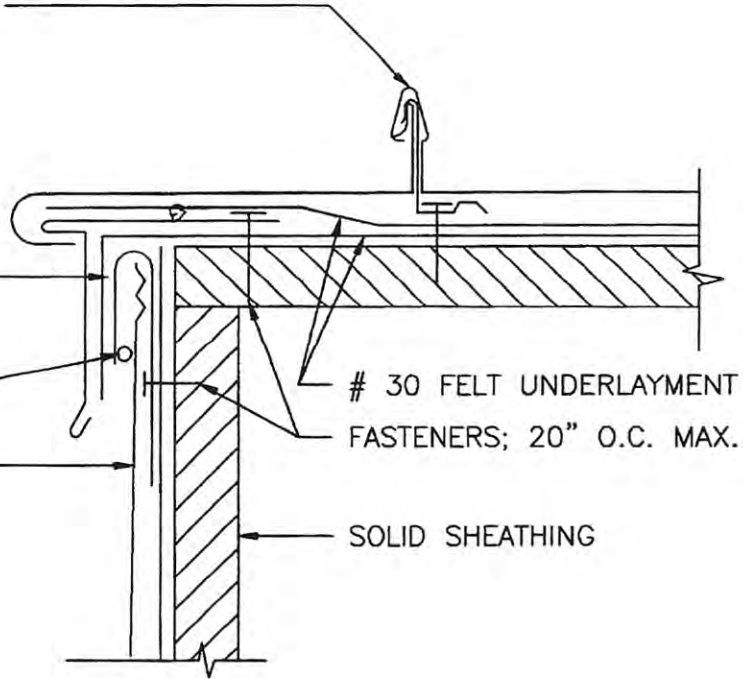
PAGE\FILE
FF-21

BERRIDGE ROOFING PANEL SYSTEM

J-CLIP 4" END
LAPS WITH CONTINUOUS CAULK
AT LAPS

CONTINUOUS BEAD OF CAULK

BERRIDGE FLUTED
FASCIA PANEL

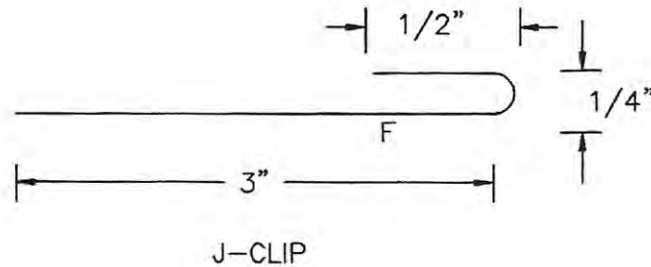


30 FELT UNDERLAYMENT
FASTENERS; 20" O.C. MAX.

SOLID SHEATHING

1. SOLID SHEATHING (BY OTHERS) TO BE MINIMUM 1/2" PLYWOOD OR EQUIVALENT IN STRENGTH FOR HOLDING POWER OF FASTENERS.
2. ALL FELT UNDERLAYMENT, CAULKING, AND FASTENERS, ARE ITEMS TO BE FURNISHED AND INSTALLED BY THE ROOFING INSTALLER AT THE DISCRETION OF THE ARCHITECT.

F = FINISH SIDE



**Berridge
Manufacturing
Company**

Roofs of Distinction

GABLE DETAIL

DATE: 11/11/02

FLUTED FASCIA PANEL

PAGE \ FILE

FF-30

BERRIDGE FLUTED FASCIA PANEL

CONTINUOUS BEAD OF CAULK

CORNER FLASHING 4" END LAPS WITH CONTINUOUS CAULK AT LAPS, POP RIVET TO FLUTED FASCIA PANEL 20" O.C.

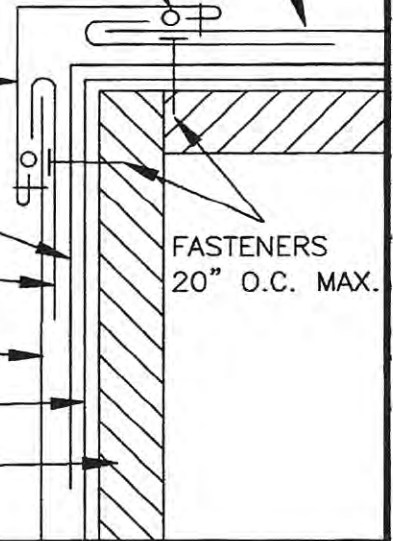
30 FELT UNDERLAYMENT PARALLEL WITH CORNER

J-CLIP 4" END LAPS WITH CONTINUOUS CAULK AT LAPS

BERRIDGE FLUTED FASCIA PANEL

30 FELT UNDERLAYMENT

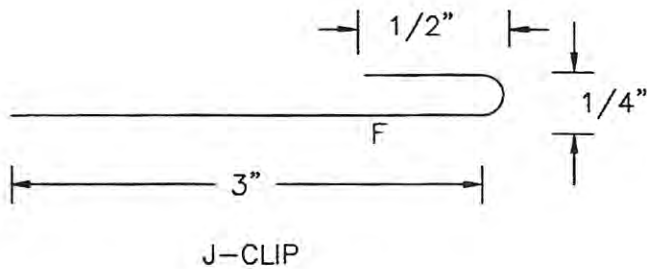
SOLID SHEATHING



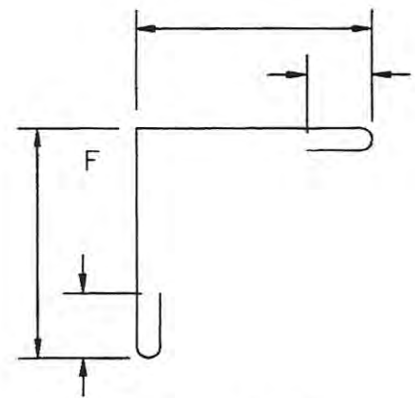
FASTENERS 20" O.C. MAX.

1. SOLID SHEATHING (BY OTHERS) TO BE MINIMUM 1/2" PLYWOOD OR EQUIVALENT IN STRENGTH FOR HOLDING POWER OF FASTENERS.
2. ALL FELT UNDERLAYMENT, CAULKING, AND FASTENERS, ARE ITEMS TO BE FURNISHED AND INSTALLED BY THE ROOFING INSTALLER AT THE DISCRETION OF THE ARCHITECT.

F = FINISH SIDE



J-CLIP



CORNER FLASHING



**Berridge
Manufacturing
Company**

Roofs of Distinction

OUTSIDE CORNER DETAIL

DATE: 11/11/02

FLUTED FASCIA PANEL

PAGE \ FILE

FF-40

FASTENERS; 20" O.C. MAX.

BERRIDGE FLUTED FASCIA PANEL

CORNER FLASHING; 4" END LAPS WITH CONTINUOUS CAULK AT LAPS, POP RIVET TO FLUTED FASCIA PANEL 20" O.C.

CONTINUOUS BEAD OF CAULK

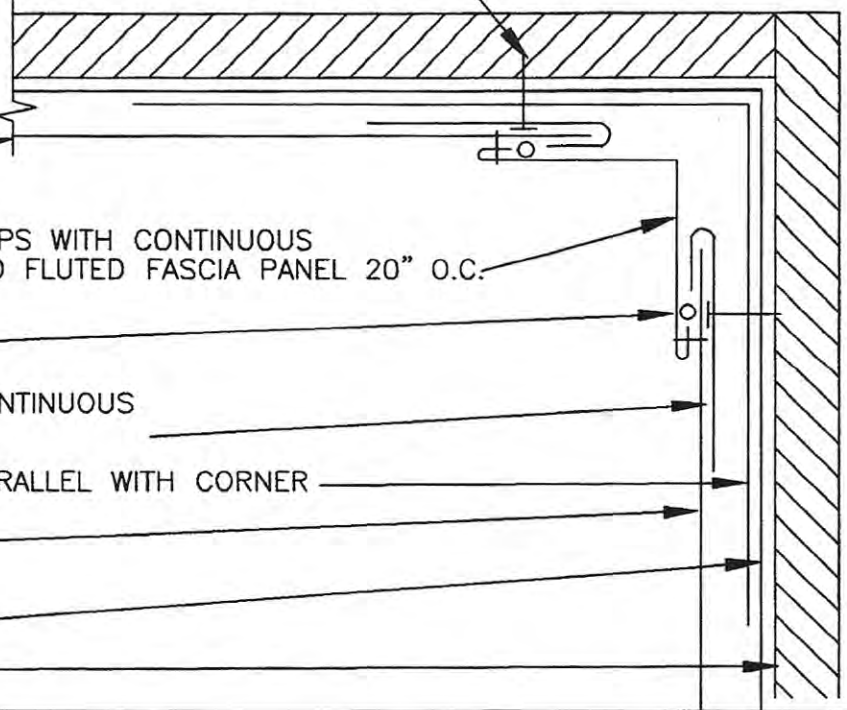
J-CLIP 4" END LAPS WITH CONTINUOUS CAULK AT LAPS

30 FELT UNDERLAYMENT PARALLEL WITH CORNER

BERRIDGE FLUTED FASCIA PANEL

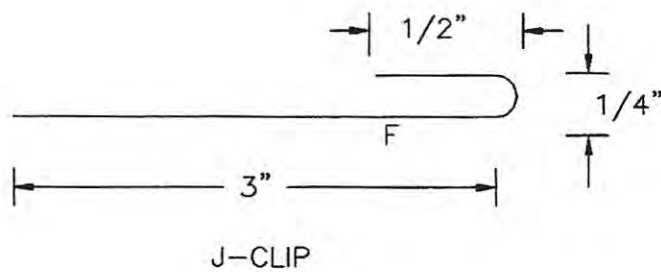
30 FELT UNDERLAYMENT

SOLID SHEATHING

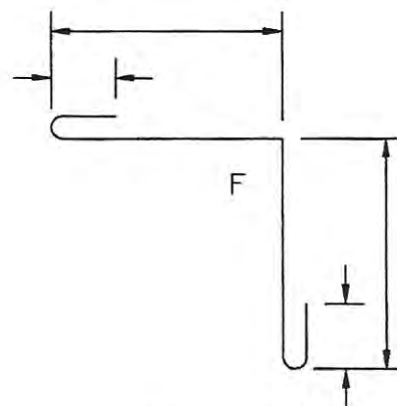


1. SOLID SHEATHING (BY OTHERS) TO BE MINIMUM 1/2" PLYWOOD OR EQUIVALENT IN STRENGTH FOR HOLDING POWER OF FASTENERS.
2. ALL FELT UNDERLAYMENT, CAULKING, AND FASTENERS, ARE ITEMS TO BE FURNISHED AND INSTALLED BY THE ROOFING INSTALLER AT THE DISCRETION OF THE ARCHITECT.

F = FINISH SIDE



J-CLIP



CORNER FLASHING



**Berridge
Manufacturing
Company**

Roofs of Distinction

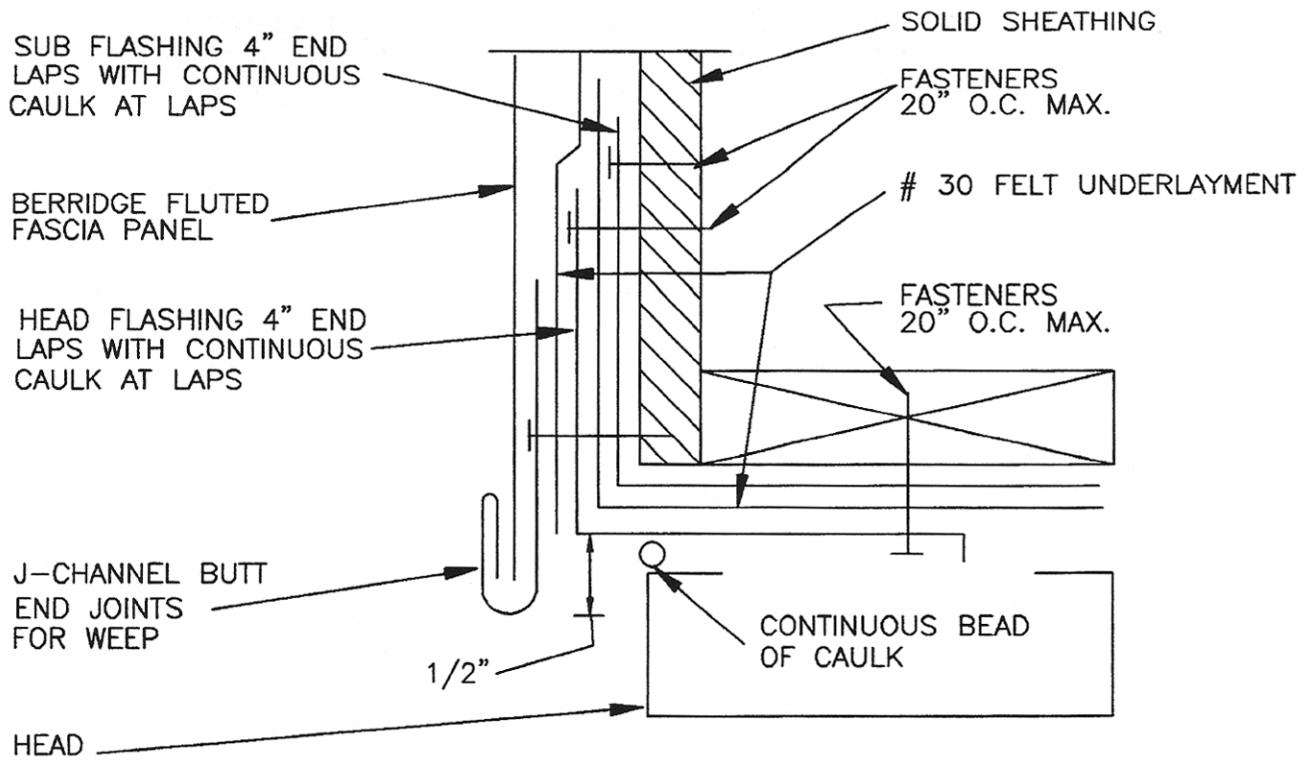
INSIDE CORNER DETAIL

DATE: 11/11/02

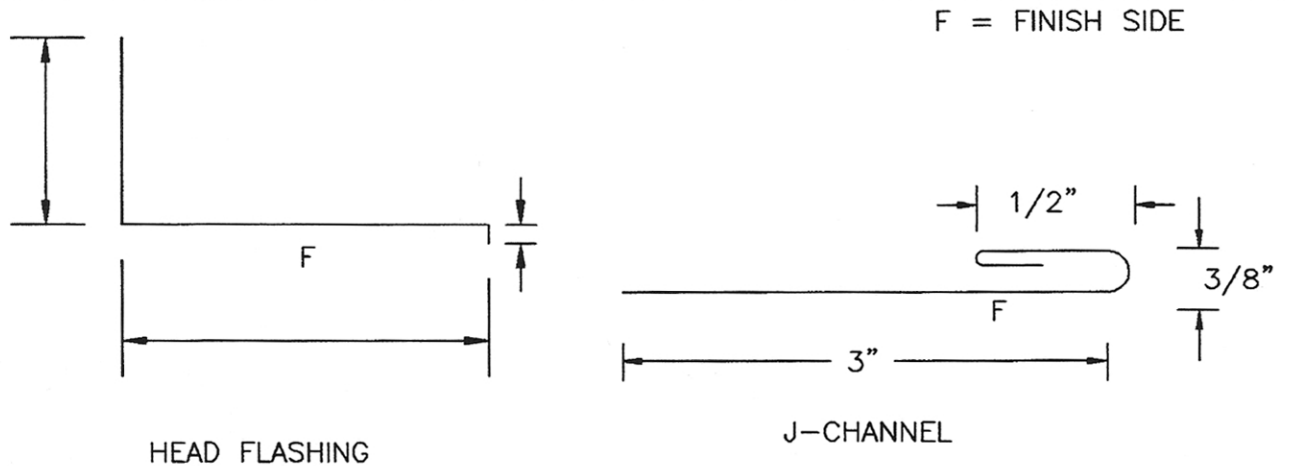
FLUTED FASCIA PANEL

PAGE \ FILE

FF-41



1. SOLID SHEATHING (BY OTHERS) TO BE MINIMUM 1/2" PLYWOOD OR EQUIVALENT IN STRENGTH FOR HOLDING POWER OF FASTENERS.
2. ALL FELT UNDERLAYMENT, CAULKING, AND FASTENERS, ARE ITEMS TO BE FURNISHED AND INSTALLED BY THE ROOFING INSTALLER AT THE DISCRETION OF THE ARCHITECT.



**Berridge
Manufacturing
Company**

Roofs of Distinction

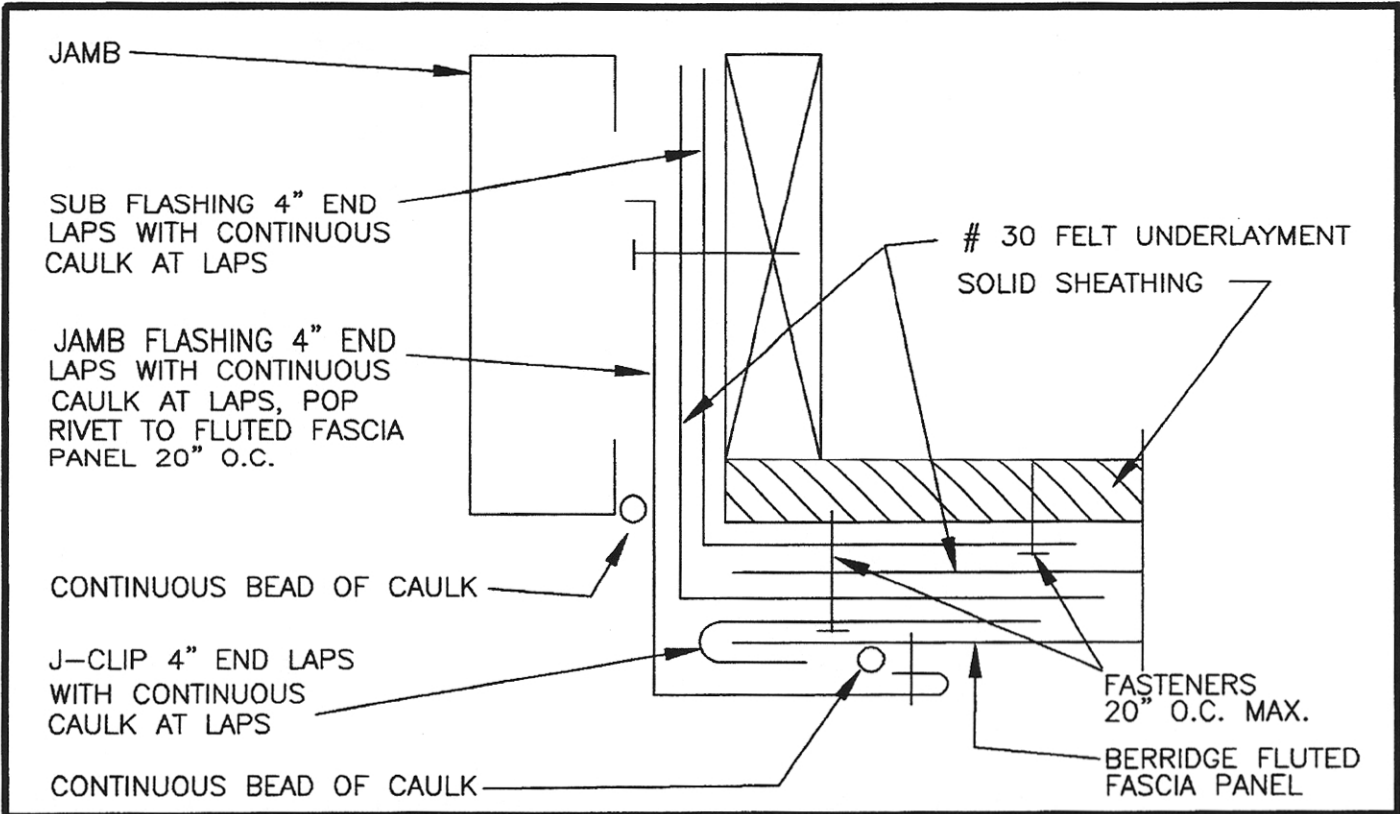
HEAD DETAIL

FLUTED FASCIA PANEL

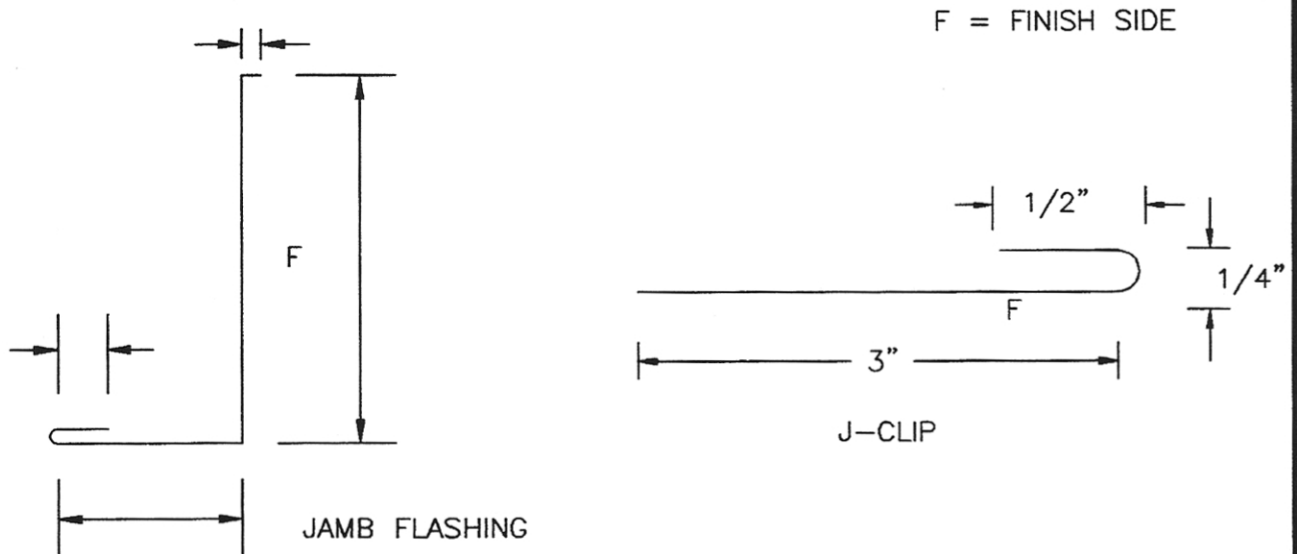
DATE: 11/11/02

PAGE\FILE

FF-50



1. SOLID SHEATHING (BY OTHERS) TO BE MINIMUM 1/2" PLYWOOD OR EQUIVALENT IN STRENGTH FOR HOLDING POWER OF FASTENERS.
2. ALL FELT UNDERLAYMENT, CAULKING, AND FASTENERS, ARE ITEMS TO BE FURNISHED AND INSTALLED BY THE ROOFING INSTALLER AT THE DISCRETION OF THE ARCHITECT.



**Berridge
Manufacturing
Company**

Roofs of Distinction

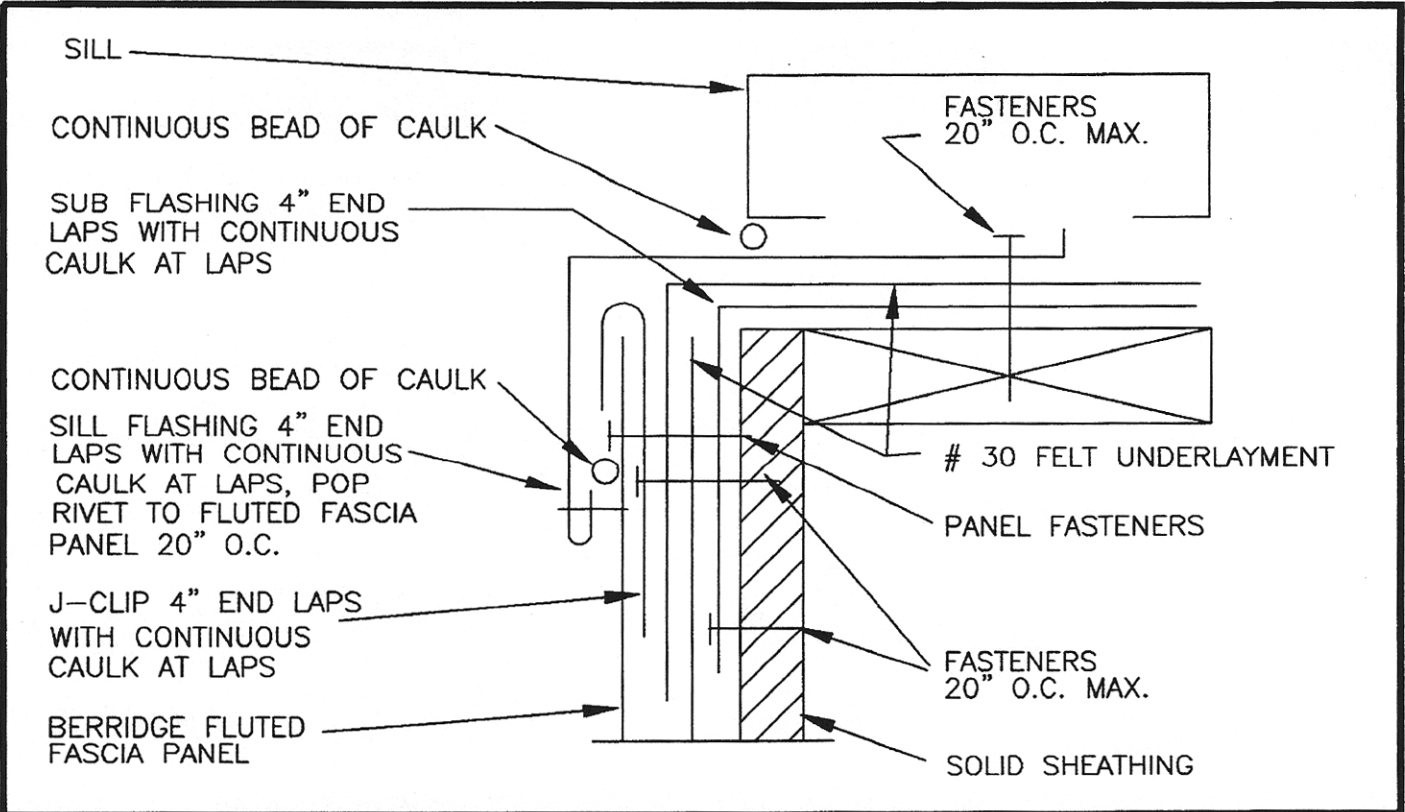
JAMB DETAIL

FLUTED FASCIA PANEL

DATE: 11/11/02

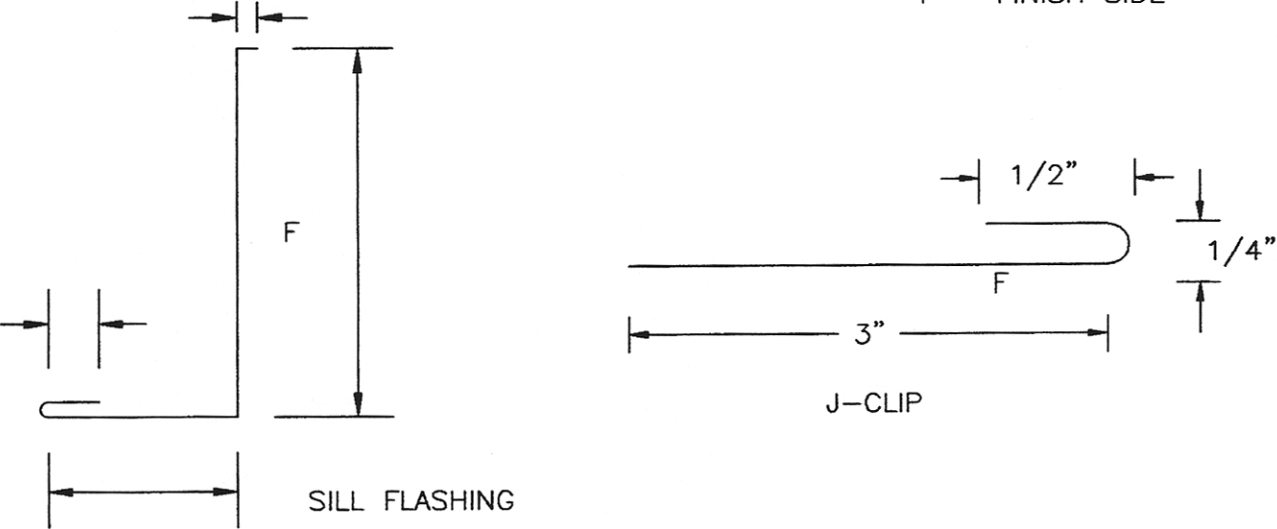
PAGE\FILE

FF-51



1. SOLID SHEATHING (BY OTHERS) TO BE MINIMUM 1/2" PLYWOOD OR EQUIVALENT IN STRENGTH FOR HOLDING POWER OF FASTENERS.
2. ALL FELT UNDERLAYMENT, CAULKING, AND FASTENERS, ARE ITEMS TO BE FURNISHED AND INSTALLED BY THE ROOFING INSTALLER AT THE DISCRETION OF THE ARCHITECT.

F = FINISH SIDE



**Berridge
Manufacturing
Company**

Roofs of Distinction

SILL DETAIL

FLUTED FASCIA PANEL

DATE: 11/11/02

PAGE \ FILE
FF-52