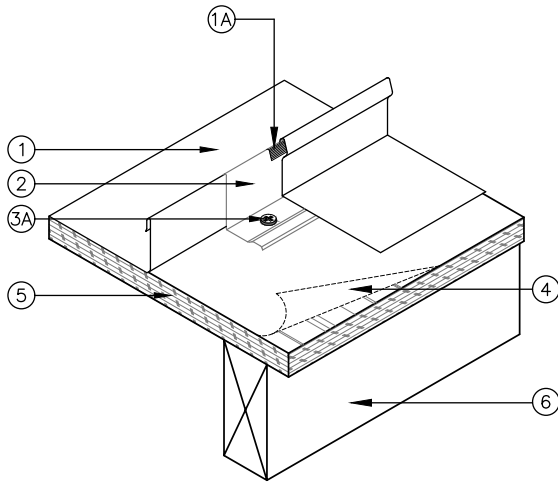


UL 580 CLASS 90 RATED PRODUCT ASSEMBLIES

CONSTRUCTION NO. 404 - Galvalume® BERRIDGE CEE-LOCK PANEL WITH INDIVIDUAL CEE-CLIPS OVER 5/8" PLYWOOD DECK SOLID WOOD SHEATHING



- BERRIDGE CEE-LOCK PANEL:** No. 24 MSG (Min. yield strength 40,000 PSI) thickness coated steel, 16 1/2" wide, 1 1/2" high panel continuous over two or more spans without endlaps.
 - An optional vinyl weatherseal (U.S. Patent 4641475) may be used at panel side joints
- BERRIDGE CEE-CLIPS:** One-piece, 1 1/2" high x 1 3/16" wide x 3 1/2" long, No. 24 MSG (Min. yield strength 40,000 PSI) coated steel. Clip spaced 36" on center at panel side joint.
- FASTENERS:**
 - For Connection of Item #2 to Item #5:** No. 10 x 1" Pancake Head, steel screws. Two fasteners per Cee-Clip.
 - For Connection of Item #5 to Item #6 (Not Shown):** No. 8 x 1.5" long pan head wood screw spaced 12" on center at plywood to joist connection and at plywood ends.
- FELT PAPER:** Two ply, No. 30 lb. per 100 sq. ft.
- SUBSTRUCTURE (PLYWOOD):** Plywood decking to be nominal 5/8" thick, sheathing span C-D 40/20 Plywood.
- JOISTS:** Nominal 2" x 4" spaced 2'-0" on center maximum.

BERRIDGE MANUFACTURING COMPANY

2610 Harry Wurzbach Road, San Antonio, TX 78209 | 800-669-0009 | Fax 210-650-0379

Visit www.berridge.com for the most up-to date information. All information herein subject to change without notice. For technical assistance please contact Berridge.