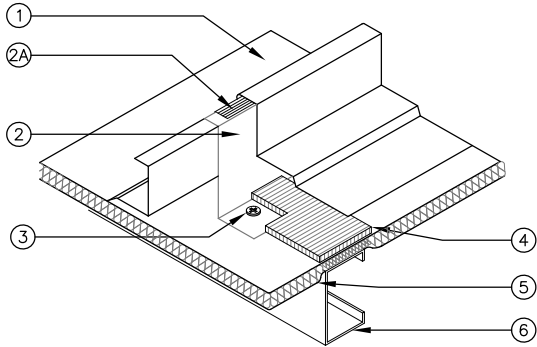


UL 580 CLASS 90 RATED PRODUCT ASSEMBLIES

ALTERNATE

CONSTRUCTION NO. 312 - Galvalume® BERRIDGE ZEE-LOCK WITH CONTINUOUS ZEE-RIB THROUGH 6" BLANKET INSULATION & 1" THERMAL BLOCK AND INTO OPEN PURLINS



1. **BERRIDGE ZEE-LOCK PANEL:** No. 24 MSG (Min. yield strength 40,000 PSI) thickness coated steel, 16" wide, 2" high panel continuous over 2 or more spans without endlaps. Adjacent panels are seamed together along side joints using an electric seamer tool.
2. **BERRIDGE CONTINUOUS ZEE-RIB:** One-piece, 3" high, assembly fabricated from No. 24 MSG (Min. yield strength 40,000 PSI) coated steel. Zee-Rib located at each panel side joint, continuous and equal to length of Berridge Zee-Lock Panels (Item 1). To be used in conjunction with thermal block only (Item #4)
 - a. Vinyl weatherseal (U.S. Patent 5134825) must be used at panel side joints
3. **FASTENERS (SCREWS):** #12 x 1" Self-Drilling, Self-Tapping steel screws. Two fasteners per clip at each purlin location.
4. **THERMAL BLOCKS:** (Optional) 3" x 1" Polystyrene Foam blocks cut to fit between panel clips
5. **INSULATION:** (Optional) 6" Vinyl Faced compressible insulation.
6. **PURLINS:** No. 16 MSG (Min. yield strength 50,000 PSI), 5'0 on center Maximum spacing.

BERRIDGE MANUFACTURING COMPANY

2610 Harry Wurzbach Road, San Antonio, TX 78209 | 800-669-0009 | Fax 210-650-0379

Visit www.berridge.com for the most up-to date information. All information herein subject to change without notice. For technical assistance please contact Berridge.