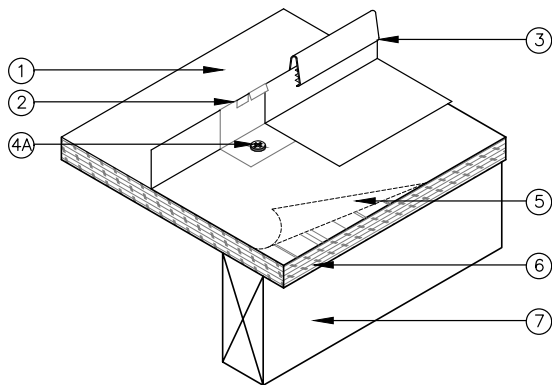


# UL 580 CLASS 90 RATED PRODUCT ASSEMBLIES

## CONSTRUCTION NO. 297 - Galvalume® BERRIDGE HIGH SEAM TEE-PANEL OVER SOLID PLYWOOD SHEATHING



- BERRIDGE HIGH SEAM TEE-PANEL:** No. 24 MSG (Min. yield strength 40,000 PSI) thickness coated steel, 18 1/4" wide and rib height 1 3/8". Total seam height with snap-on seam cover in place is nominal 1 1/2". Panels to be continuous length. End laps to be overlapped min. 6". A line of sealant may be used at panel end & side laps.
- BERRIDGE TEE PANEL CLIP:** One piece clip, 1 3/8" high x 1 1/2" (nominal) wide x 1 5/8" long, No. 24 MSG (Min. yield strength 40,000 PSI) coated steel. Clips spaced max 24" O.C., located at panel sides.
- BERRIDGE SNAP-ON SEAM COVERS:** Seams covering panel ribs to be 3/8" wide by 7/8" high with vinyl insert (U.S. Patent No. 4,641,475) formed from No. 24 MSG (Min. yield strength 40,000 PSI) coated steel.
- FASTENERS:**
  - For Connection of Item #2 to Item #6:** No. 10 x 1" long pancake head wood screw with No. 2 Philips drive. One screw per clip.
  - For Connection of Item #6 to Item #7 (Not shown):** 2.5" LONG 8d deformed shank nails. When light gauge steel joists are used, screws to be No. 12 x 1 5/8" with Philips drive head. Screws to be spaced 6" O.C. at plywood ends and 12" O.C. at interior joints.
- FELT PAPER:** Two ply, No. 30 lb. per 100 sq. ft.
- SUBSTRUCTURE (PLYWOOD):** Nominal 5/8" thick, exposure sheathing span C-D, 40/20 plywood. Butt joints sealed with tape and/or caulked.
- JOISTS:** Spaced 2' O.C. May be one of the following:
  - Nom 2x6 wood joists No. 2 or better
  - Nom 2x4 wood when used on top chord of wood truss, No. 2 or better
  - Light gauge structural steel with the member against wood to be min. 22 MSG coated steel

## BERRIDGE MANUFACTURING COMPANY

2610 Harry Wurzbach Road, San Antonio, TX 78209 | 800-669-0009 | Fax 210-650-0379

Visit [www.berridge.com](http://www.berridge.com) for the most up-to date information. All information herein subject to change without notice. For technical assistance please contact Berridge.