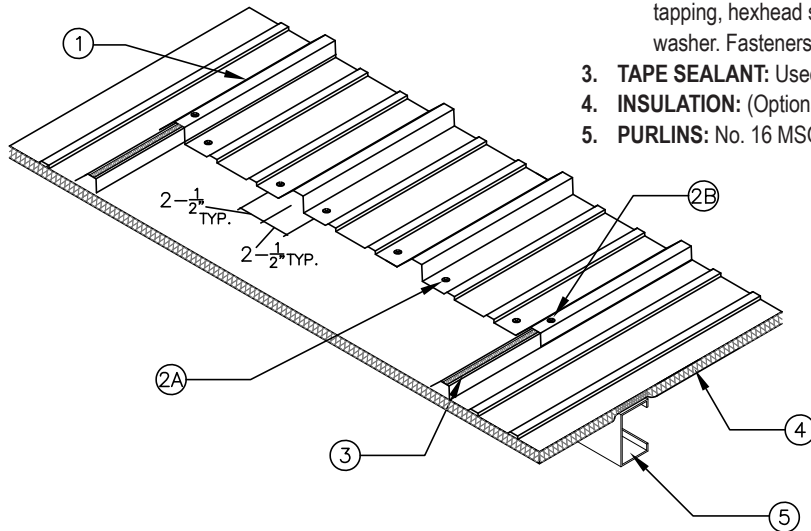


UL 580 CLASS 90 RATED PRODUCT ASSEMBLIES

CONSTRUCTION NO. 161 BERRIDGE "R" PANEL THROUGH 6" BLANKET INSULATION INTO OPEN PURLINS



- BERRIDGE "R" PANEL:** No. 24 MSG (Min. yield strength 40,000 PSI) thickness coated steel, 36" wide, 1 1/4" high rib panel continuous over two or more spans. Endlaps to occur over purlins with panels overlapped 3" minimum, 6" maximum with lap centered over purlin web. A line of tape sealant (Item 3) may be used at panel side and end laps.
- FASTENERS (SCREWS):**
 - For Connection of Item #1 to Item #5:** #12-14 self-drilling, self-tapping, hexhead steel screw with 5/8" OD formed steel washer and neoprene washer. Fasteners to be at panel and purlin intersection and adjacent to every major rib.
 - For Connection of Item #1 to Item #1 (Panel Lap):** #12-14 self-drilling, self-tapping, hexhead steel screw with 5/8" OD formed steel washer and neoprene washer. Fasteners to be 20" on center.
- TAPE SEALANT:** Used along panel side laps and endlaps for watertightness
- INSULATION:** (Optional) 6" Vinyl Faced compressible insulation.
- PURLINS:** No. 16 MSG (Min. yield strength 50,000 PSI), maximum 5'0 spacing

BERRIDGE MANUFACTURING COMPANY

2610 Harry Wurzbach Road, San Antonio, TX 78209 | 800-669-0009 | Fax 210-650-0379

Visit www.berridge.com for the most up-to date information. All information herein subject to change without notice. For technical assistance please contact Berridge.