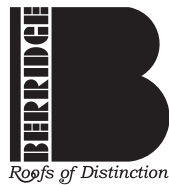


# DEEP-DECK PANEL INSTALLATION DETAILS



**BERRIDGE  
MANUFACTURING  
COMPANY**

**800-669-0009 • [www.Berridge.com](http://www.Berridge.com)**

INDEX	DD-0
INDEX	DD-1
INSTALLATION INSTRUCTIONS	DD-I-1
INSTALLATION INSTRUCTIONS	DD-I-2
INSTALLATION INSTRUCTIONS	DD-I-3
INSTALLATION INSTRUCTIONS	DD-I-4
INTRODUCTION TO TYPICAL DETAILS	DD-2
OVERVIEW DD PANEL	DD-3
FASTENER LOCATIONS	DD-4
FOAM CLOSURE DETAILS	DD-5
EAVE DETAIL; SOLID SHEATHING	DD-10
EAVE DETAIL; OPEN FRAMING	DD-11
EAVE DETAIL; W/WALL PANEL; OPEN FRAMING	DD-12
HIP RIDGE; SOLID SHEATHING	DD-20
SHED ROOF RIDGE	DD-21
HIP RIDGE; OPEN FRAMING	DD-22
SHED RIDGE DETAIL	DD-23
RIDGE TERMINATION AT DORMER VALLEY	DD-24
GABLE;	DD-30
GABLE; WITH WALL PANEL; OPEN FRAMING	DD-31
HEAD WALL; WITH PARAPET	DD-40
HEAD WALL; WITH WALL PANEL	DD-41
HEAD WALL; WITH REGLET	DD-42
RAKE WALL; WITH WALL PANEL	DD-50
RAKE WALL; WITH WALL PANEL	DD-51
RAKE WALL; WITH REGLET	DD-52
SLOPE TRANSITION WITH FLASHING	DD-60
VALLEY	DD-70
VALLEY; OPEN FRAMING	DD-71



**BERRIDGE  
MANUFACTURING  
COMPANY**

## INDEX

### Deep-Deck Panel

DATE: 04-02-03

PAGE/FILE

DD-0

ROOF PENETRATION; PIPE PENETRATION	DD-80
ROOF PENETRATION; SQUARE (PLAN VIEW)	DD-81
ROOF PENETRATION; SIDE A	DD-82
ROOF PENETRATION; SIDE B	DD-83
ROOF PENETRATION; SIDE C	DD-84
ROOF PENETRATION; LARGER THAN 4"; OPEN FRAMING	DD-85

GRADE DETAIL; OPEN FRAMING	DD-100
GRADE DETAIL	DD-101

OUTSIDE CORNER; OPEN FRAMING	DD-102
OUTSIDE CORNER; SOLID SHEATHING	DD-103
INSIDE CORNER; OPEN FRAMING	DD-104
INSIDE CORNER; SOLID SHEATHING	DD-105

HEAD DETAIL; OPEN FRAMING	DD-106
HEAD DETAIL; SOLID SHEATHING	DD-107
JAMB DETAIL; OPEN FRAMING	DD-108
JAMB DETAIL; SOLID SHEATHING	DD-109
SILL DETAIL; OPEN FRAMING	DD-110



**BERRIDGE  
MANUFACTURING  
COMPANY**

## INDEX

DATE: 04-02-03

Deep-Deck Panel

PAGE/FILE  
DD-1

- A. BERRIDGE DEEP-DECK PANEL: PANEL IS FACTORY FABRICATED TO A CONSTANT CORRUGATION DEPTH OF 1-1/2" PANEL COVERAGE OF A NOMINAL 36"  
  
PANELS ARE FABRICATED TO A MINIMUM LENGTH OF 5'-0" AND A MAXIMUM LENGTH OF 40'-0".
- B. MINIMUM SLOPE: THE DEEP-DECK PANELS ARE RECOMMENDED FOR ROOF SLOPES OF 3 ON 12 OR GREATER. SLOPES LESS CONSULT BERRIDGE MANUFACTURING COMPANY.
- C. MATERIAL STORAGE: CAUTION MUST BE EXERCISED IN STORAGE OF MATERIAL PRIOR TO INSTALLATION. KEEP ALL BERRIDGE PREFINISHED MATERIAL IN A DRY LOCATION WITH ADEQUATE VENTILATION AND OUT OF DIRECT SUNLIGHT.

EXPOSURE TO DIRECT SUNLIGHT AND/OR MOISTURE MAY CAUSE THE FACTORY APPLIED STRIPPABLE PLASTIC FILM TO ADHERE TO THE METAL PERMANENTLY AND DISCOLOR THE FINISH. IF THIS SHOULD OCCUR THE PAINT WARRANTY WILL BE VOID.

- D. STRIPPABLE FILM: THE STRIPPABLE PLASTIC FILM, WHICH IS APPLIED OVER MOST BERRIDGE PREFINISHED PRODUCTS, PANELS, FLASHINGS, COILS AND FLAT SHEETS, PROVIDES PROTECTION OF THE FINISH DURING FABRICATION AND TRANSIT. THIS FILM MUST BE REMOVED PRIOR TO INSTALLATION.
- E. SOLID SHEATHING REQUIREMENTS: BERRIDGE MANUFACTURING COMPANY RECOMMENDS THE USE OF EITHER BERRIDGE 24 GA. CORRUGATED SHEATHING (NOMINAL 2-1/2" PITCH BY 7/8" DEPTH) OR A MINIMUM OF 1/2" PLYWOOD SHEATHING TO PROVIDE SUFFICIENT HOLDING POWER FOR FASTENERS. CONTACT BERRIDGE MANUFACTURING'S ENGINEERING DEPARTMENT FOR USE OF ANY OTHER TYPE OF SOLID SHEATHING, (# 30 FELT UNDERLAYMENT OR EQUAL MUST BE USED OVER ANY SOLID SHEATHING).

DUE TO # 30 FELT TENDENCY TO TEAR WHEN USED OVER CORRUGATED DECKING, BERRIDGE MANUFACTURING RECOMMENDS GRACE ICE AND WATERSHIELD OR EQUAL TO BE USED AS AN UNDERLAYMENT FOR ALL CORRUGATED DECKS.

- F. SHEATHING INSPECTION:
  1. SHEATHING END JOINTS SHOULD BE STAGGERED.
  2. ALL END JOINTS SHOULD MEET AT EITHER A JOIST OR RAFTER.
  3. BLOCKING OF "H" CLIPS SHOULD BE USED OF JOINTS DO NOT REMAIN FLAT UNDER THE WEIGHT OF WORKMEN.
  4. USE SHIMS TO KEEP ENTIRE SUBSTRATE EVEN; UNEVEN SUBSTRATE WILL RESULT IN "OIL-CANNING" IN THE PANELS. SUBSTRATE SHOULD BE LEVEL TO 1/4" ON 20'-0".
  5. ALL CUTS AT PENETRATIONS SHOULD BE TIGHT, WITHOUT GAPS.
  6. USE WOOD FRAMED CRICKETS AT LARGE PENETRATIONS.
  7. MAKE SURE SUBSTRATE JOINTS ARE TIGHT AT ALL HIPS, VALLEYS AND RIDGES.
- G. INSTALLATION OVER OPEN FRAMING: FOR DIAPHRAGM CAPABILITIES OF DEEP-DECK PANEL CONSULT BERRIDGE TECHNICAL DEPT. PURLIN OR OTHER STRUCTURAL BRACING IS THE RESPONSIBILITY OF OTHERS,



**BERRIDGE  
MANUFACTURING  
COMPANY**

## INSTALLATION INSTRUCTIONS

### Deep-Deck Panel

DATE: 04-02-03

PAGE/FILE  
DDI-1

H. OPEN FRAMING INSPECTION:

1. PURLINS SHOULD BE ALIGNED WITH TOP FLANGES IN THE SAME PLANE TO A TOLERANCE OF 1/4" IN 20'-0". UNEVENNESS IN THE TOP PLANE OF THE PURLINS WILL RESULT IN ABNORMAL "OIL-CANNING" OF PANELS. PURLINS SHALL BE ADEQUATELY BRACED.
2. BERRIDGE MANUFACTURING COMPANY RECOMMENDS SOLID SHEATHING IN VALLEY AND AROUND ROOF PENETRATIONS. DO NOT APPLY PANELS ON OPEN FRAMING AT VALLEYS OR ROOF PENETRATIONS WITHOUT REFERRING TO DETAILS DD-71 AND DD-85.
3. FOOT TRAFFIC ON THE PANELS MUST BE KEPT TO A MINIMUM. ARCHITECTURAL PANELS ARE DESIGNED FOR AESTHETICS AND CAN BE EASILY DAMAGED OR DEFORMED IF EXTREME CARE IS NOT USED.

I. FASCIA/RAKE INSPECTION:

1. STRIKE A LINE THE FULL LENGTH OF THE FASCIA OR RAKE. IF NOT STRAIGHT, CORRECT WITH SHIMS.
2. MAKE SURE FASCIA/RAKE IS FLUSH WITH SHEATHING

J. FELT UNDERLAYMENT: A SINGLE LAYER OF NUMBER THIRTY FELT UNDERLAYMENT (OR EQUAL) MUST BE APPLIED OVER SOLID SHEATHING, AS SHOWN IN THE BERRIDGE MANUFACTURING COMPANY TYPICAL FELTING DETAILS. THE USE OF ADDITIONAL LAYERS OF NUMBER THIRTY FELT IS RECOMMENDED ON LOW SLOPED ROOFS, AT ALL VALLEY CONDITIONS, AT ROOF PENETRATIONS AND AT CERTAIN OTHER FLASHING CONDITIONS AS DEPICTED IN THE DEEP-DECK PANEL TYPICAL DETAILS.

GRACE ICE AND WATERSHIELD MAY BE REQUIRED ON LOW SLOPED ROOFS OR AT CERTAIN FLASHING CONDITIONS.

K. FELTING INSTALLATION:

1. DO NOT USE RED ROSIN PAPER UNDER METAL ROOFING PANELS.
2. SWEEP ROOF AREA CLEAN.
3. USE FLAT HEAD GALVANIZED ROOFING NAILS 1-1/4" LONG WITH BERRIDGE GALVANIZED FELT CAPS.
4. INSTALL VALLEY FELT FIRST.
5. INSTALL FELT PARALLEL TO THE EAVE, (2 LAYERS REQUIRED AT EAVE) STARTING AT EAVE AND USING MINIMUM 6" LAPS. USE 2 LAYERS OF FELT ON ENTIRE ROOF DECK IF ROOF SLOPE IS 3 ON 12.
6. REFER TO FELTING DETAILS WHEN VALLEYS OR ROOF PENETRATIONS ARE INVOLVED ON OPEN FRAMING CONDITIONS.
7. INSULATE BETWEEN WOOD BLOCKING AND METAL WITH FELT OR GRACE ICE AND WATERSHIELD.
8. VERIFY CORRECT METHOD OF INSTALLING ICE AND WATERSHIELD WITH ICE AND WATERSHIELD MANUFACTURE.

ELECTROLYSIS: AVOID ALLOWING FLASHINGS AND PANELS TO COME INTO CONTACT WITH

L. EITHER LEAD, COPPER OR OTHER DISSIMILAR METALS AND PREVENT EXPOSURE TO WATER RUNDOWN FROM COPPER AND/OR LEAD.

M. SEALANT RECOMMENDATIONS: TREMCO, INC. SPECTREM 1 SILICONE SEALANT.  
DO NOT USE CLEAR CAULK.



**BERRIDGE  
MANUFACTURING  
COMPANY**

## INSTALLATION INSTRUCTIONS

### Deep-Deck Panel

DATE: 04-02-03

PAGE/FILE  
DDI-2

N. FLASHING: IF BERRIDGE MANUFACTURING COMPANY IS TO SUPPLY FLASHING, ALL FLASHINGS WILL BE FABRICATED IN 10'-0" LENGTHS WITH SQUARE END CUTS ONLY. THE PURCHASER MUST PROVIDE ALL DIMENSIONS AND DEGREES OF ANGLE.

O. FLASHING INSTALLATION:

1. REMOVE STRIPPABLE PLASTIC FILM FROM ALL FLASHINGS PRIOR TO INSTALLATION.
2. ALWAYS STAGGER JOINTS WHEN ONE FLASHING IS INSTALLED OVER OTHER FLASHINGS.
3. INSTALL ALL FLASHINGS AS PER BERRIDGE TYPICAL DETAILS.
4. ALL FLASHINGS ARE TO BE DESIGNED AND INSTALLED TO AVOID TRAPPING WATER.

P. PANELS: BERRIDGE MANUFACTURING COMPANY WILL PROVIDE SQUARE END CUTS ONLY ON ALL DEEP-DECK PANELS. COMPUTATION OF ALL QUANTITIES AND DIMENSIONS ARE THE RESPONSIBILITY OF THE PURCHASER.

Q. PANEL INSTALLATION:

1. REMOVE STRIPPABLE PLASTIC FILM FROM EACH PANEL PRIOR TO INSTALLATION.
2. START AT ONE GABLE END OF THE ROOF AND WORK TOWARD THE OTHER GABLE.
3. EACH PANEL IS TO BE KEPT TIGHT AGAINST THE ADJOINING PANEL. NEVER PERMIT A GAP BETWEEN VERTICAL LAP. ANY CRIMPS OR BENDS MUST BE STRAIGHTENED PRIOR INSTALLATION.
4. KEEP PANELS ALIGNED TO THAT RIBS MATCH AT HIPS, VALLEYS AND WHERE VERTICAL PANELS ADJOIN ROOF PANELS. DO NOT INSTALL LONG CONTINUOUS RUNS OF PANELS ALL AT ONE TIME WHERE RIB LINES MUST MATCH. INSTALL EN OR TWELVE PANELS IN ONE ELEVATION AND THEN FOLLOW WITH A LIKE NUMBER OF PANELS ON THE OTHER ELEVATION. WHEN YOU INSTALL PANELS IN THIS MANNER, YOU WILL BE ABLE TO MAKE ANY ADJUSTMENTS REQUIRED TO INSURE RIB MATCHING.
5. COPPER-COTE™, CHAMPAGNE, LEAD-COTE™ AND PREWEATHERED GALVALUME® PANEL INSTALLATION: NOTE THE SERIES OF ARROWS PAINTED ON THE UNDERSIDE OF THE PANEL. ALL PANELS MUST BE INSTALLED IN A CONSISTENT MANNER, MEANING THAT THE ARROWS ON EVERY PANEL ARE ALL POINTING IN THE SAME DIRECTION. IF A PANEL IS REVERSED (ARROWS POINTING OPPOSITE IF THOSE ON OTHER PANELS) IT WILL APPEAR, FROM A DISTANCE, A DIFFERENT SHADE DUE TO THE GRANULAR EFFECTS OF THE PIGMENTS ON THE FINISH. METALLIC FINISHES ARE MATCH-LOT FINISHES. DO NOT MIX LOTS.

R. FASTENERS: INSTALL FASTENERS AS PER TYPICAL DETAILS. USE #10 HEX HEAD ZINC PLATED FASTENER WITH METAL BACKED NEOPRENE FASTENER WHEN FASTENING TO WOOD. USE #12 HEX HEAD ZINC PLATED FASTENER WITH A METAL BACKED NEOPRENE WASHER WHEN FASTENING TO METAL\* WHEN USING POP RIVETS ON FLASHING, STAINLESS STEEL RIVETS ARE RECOMMENDED TO AVOID RUST STAINS.

MAKE SURE ALL FASTENERS ARE DRIVEN STRAIGHT AND SET FLAT, DO NOT OVER DRIVE FASTENERS AS THIS WILL CAUSE THE CLIP AND/OR FLASHINGS TO BUCKLE OR BECOME RECESSED BELOW THE ELEVATION OF THE SUBSTRATE.

\* CONSULT BERRIDGE MANUFACTURINGS ENGINEERING DEPARTMENT REGARDING FASTENER SPACING TO MEET DESIGN CRITERIA AND THE USE OF ANY OTHER TYPE OF FASTENER.



**BERRIDGE  
MANUFACTURING  
COMPANY**

## INSTALLATION INSTRUCTIONS

### Deep-Deck Panel

DATE: 04-02-03

PAGE/FILE  
DDI-3

BERRIDGE MANUFACTURING COMPANY STRIVES TO PROVIDE ITS CUSTOMERS WITH THE HIGHEST QUALITY STRETCHER LEVELED STEEL AVAILABLE. THE LATEST TECHNOLOGY IS ALSO INCORPORATED IN BERRIDGE'S HIGH-PRECISION COIL HANDLING AND ROLL FORMING EQUIPMENT TO MINIMIZE THE STRESS ON METAL DURING PRODUCTION. FURTHERMORE, BERRIDGE UTILIZES HEAVIER 24 GAUGE METAL RATHER THAN 26 GAUGE STEEL TO LIGHT GAUGE ALUMINUM AS OFFERED BY MANY COMPETITORS. ALL THESE MEASURES HAVE BEEN TAKEN TO MINIMIZE THE AMOUNT OF "OILCANNING" (WAVINESS) WHICH IS NATURALLY INHERENT IN FLAT SHEET METAL. MANY TIMES, HOWEVER, THE CAUSE OF WAVINESS OR "OIL-CANNING" CAN BE TRACED TO UNEVEN SHEATHING, IMPROPER FELT INSTALLATION OR, IN THE CASE OF OPEN FRAMING, UNEVENNESS OF THE TOP PLANE OF THE PURLINS OR FOOT TRAFFIC ON THE PANELS.

ALL ARCHITECTURAL PANELS REQUIRE CARE IN HANDLING AND INSTALLATION TO AVOID DAMAGING OR DEFORMING THE PANELS.

THESE INSTALLATION INSTRUCTIONS AND THE FOLLOWING TYPICAL DETAILS ARE INTENDED TO PROVIDE OUR CUSTOMERS WITH THE INFORMATION REQUIRED FOR AN AESTHETICALLY PLEASING AND FUNCTIONAL INSTALLATION OF THE BERRIDGE DEEP-DECK PANEL SYSTEM.

NOTE: ALL PRODUCT SPECIFICATIONS, DETAIL AND INSTALLATION INSTRUCTIONS SUBJECT TO CHANGE WITHOUT NOTICE. FOR SPECIFIC PROJECT DETAILS, CONTACT BERRIDGE.



**BERRIDGE  
MANUFACTURING  
COMPANY**

**INSTALLATION  
INSTRUCTIONS**

**Deep-Deck Panel**

DATE: 04-02-03

PAGE/FILE  
DDI-4

DEEP DECK PANEL PROPERTIES					
GA. 24		Tkns/INCH 0.0240		WT PSF 1.21	
FY KSI 40					
TOP IN COMPRESSION			BOTTOM IN COMPRESSION		
Ix In <sup>4</sup> /ft	Sx In <sup>3</sup> /ft	Ma In-kip/ft	Ix In <sup>4</sup> /ft	Sx In <sup>3</sup> /ft	Ma In-kip/ft
0.1073	0.1218	2.92	0.1073	0.1218	2.92

DEEP-DECK PANEL LOAD PROFILES DEAD + LIVE LOADING (PSF)						
SPAN (FEET)	1-SPAN		2-SPAN		3-SPAN	
	STRESS	DEFL L/240	STRESS	DEFL L/240	STRESS	DEFL L/240
4'-0"	120	110	120	264	141	207
5'-0"	77	56	77	135	90	106
6'-0"	53	33	53	78	62	61
7'-0"	39	20	39	49	45	39

DEEP-DECK WIND UPLIFT LOADING (PSF)						
SPAN (FEET)	1-SPAN		2-SPAN		3-SPAN	
	STRESS	DEFL L/240	STRESS	DEFL L/240	STRESS	DEFL L/240
4'-0"	123	110	123	264	143	207
5'-0"	79	56	79	135	92	106
6'-0"	55	33	55	78	64	61
7'-0"	41	20	41	49	48	39

**NOTES:**

1. THE PANEL WEIGHT HAS BEEN DEDUCTED FROM THE ALLOWABLE STRESS VALUES.
2. THE PROPERTIES AND LOAD TABLES ARE FOR THE PANEL ALONE: THE PANEL PROFILE HAS BEEN ASSUMED TO REMAIN CONSTANT UNDER LOADING. THE CAPACITY OF FASTENERS IS NOT INCLUDED.
3. THE PANEL SECTION PROPERTIES HAVE BEEN CALCULATED IN ACCORDANCE WITH THE 2001 AISI SPECIFICATION.



**BERRIDGE  
MANUFACTURING  
COMPANY**

**INSTALLATION  
INSTRUCTIONS**

**Deep-Deck Panel**

DATE: 04-02-03

PAGE/FILE  
DDI-5



THE DETAILS CONTAINED IN THE FOLLOWING PAGES ARE MERELY RECOMMENDATIONS AS TO HOW BERRIDGE MANUFACTURING MATERIALS SHOULD BE INSTALLED. THEY MAY REQUIRE ADAPTATIONS OR MODIFICATIONS FOR A SPECIFIC PROJECT AS CONDITIONS VARY IN BOTH BUILDING DESIGN AND LOCAL WEATHER PECULIARITIES.

BERRIDGE MANUFACTURING COMPANY SHALL BE HELD HARMLESS FROM ANY AND ALL CLAIMS ARISING FROM LACK OF WATERTIGHTNESS AS A RESULT OF FOLLOWING THESE RECOMMENDED DETAILS. ENSURING WATERTIGHTNESS ON ANY GIVEN PROJECT IS THE FUNCTION OF THE INSTALLER. THE ARCHITECT/GENERAL CONTRACTOR/INSTALLER MUST ACCEPT THE RESPONSIBILITY TO ADAPT THESE DETAILS TO MEET PARTICULAR BUILDING REQUIREMENTS AND TO ASSURE ADEQUATE WATERTIGHTNESS.

THE INSTALLER CAN VIRTUALLY ASSURE WATERTIGHTNESS IF THESE FLASHING DETAILS HAVE BEEN PROPERLY ADAPTED, ADEQUATE LAPS HAVE BEEN PROVIDED, CORRECT TYPE OF SEALANT USED, ALL JOINTS ADEQUATELY CAULKED, AND PROFESSIONAL WORKMANSHIP EMPLOYED.



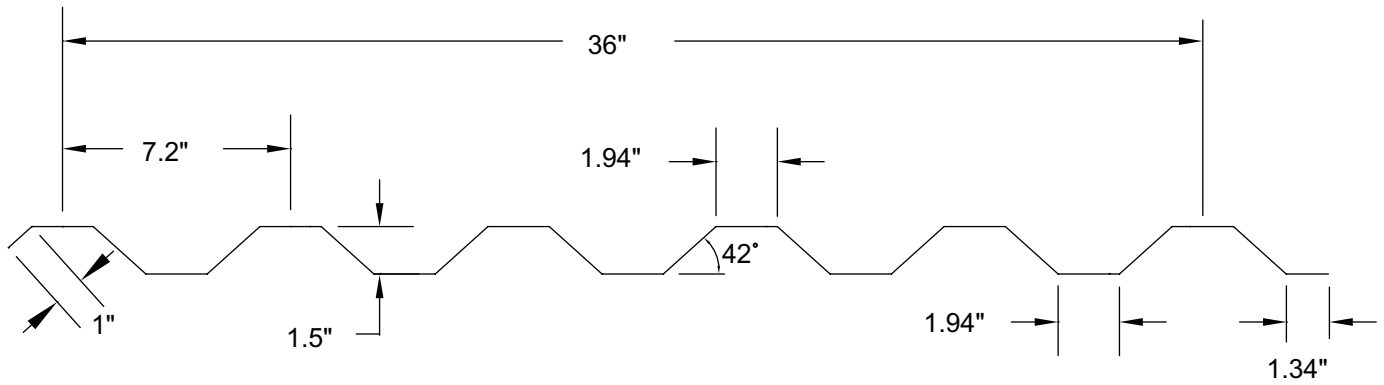
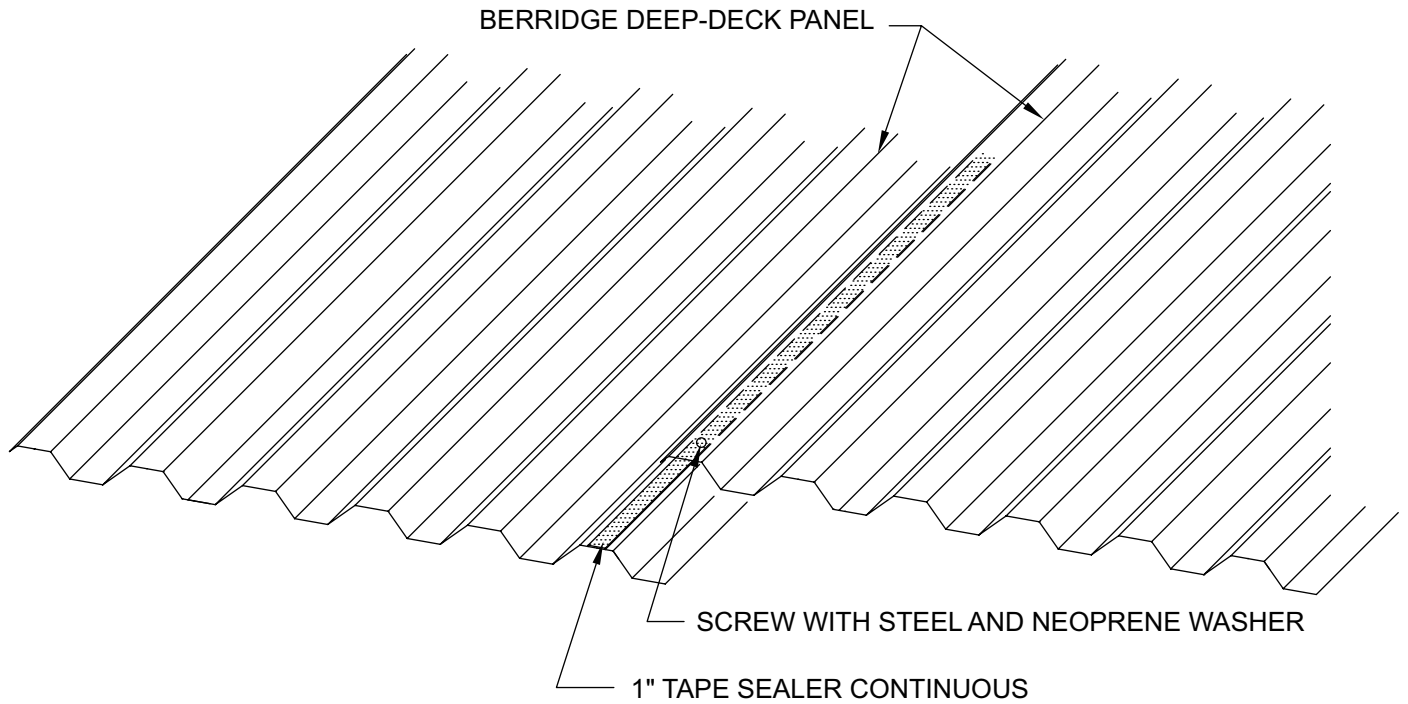
**BERRIDGE  
MANUFACTURING  
COMPANY**

**INTRODUCTION TO  
TYPICAL DETAILS**

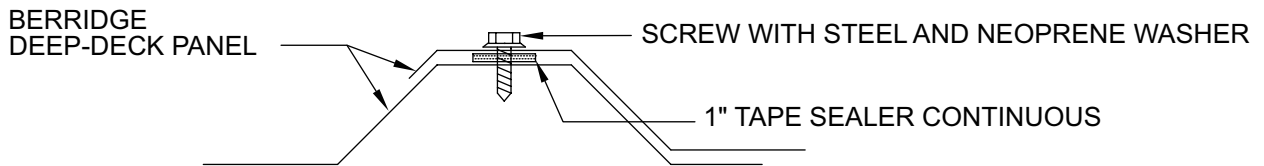
**Deep-Deck Panel**

DATE: 12-05-02

PAGE/FILE  
DD-2



OVERVIEW DEEP-DECK PANEL



SIDE LAP DETAIL (TYPICAL)



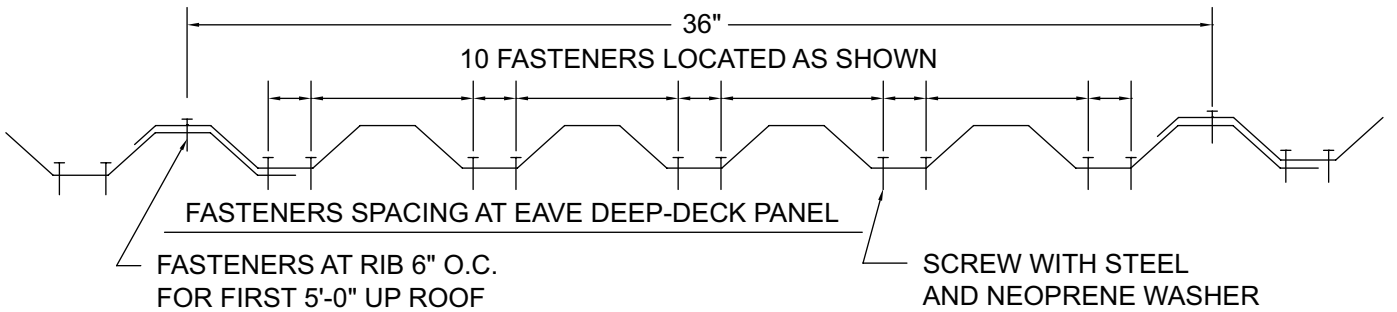
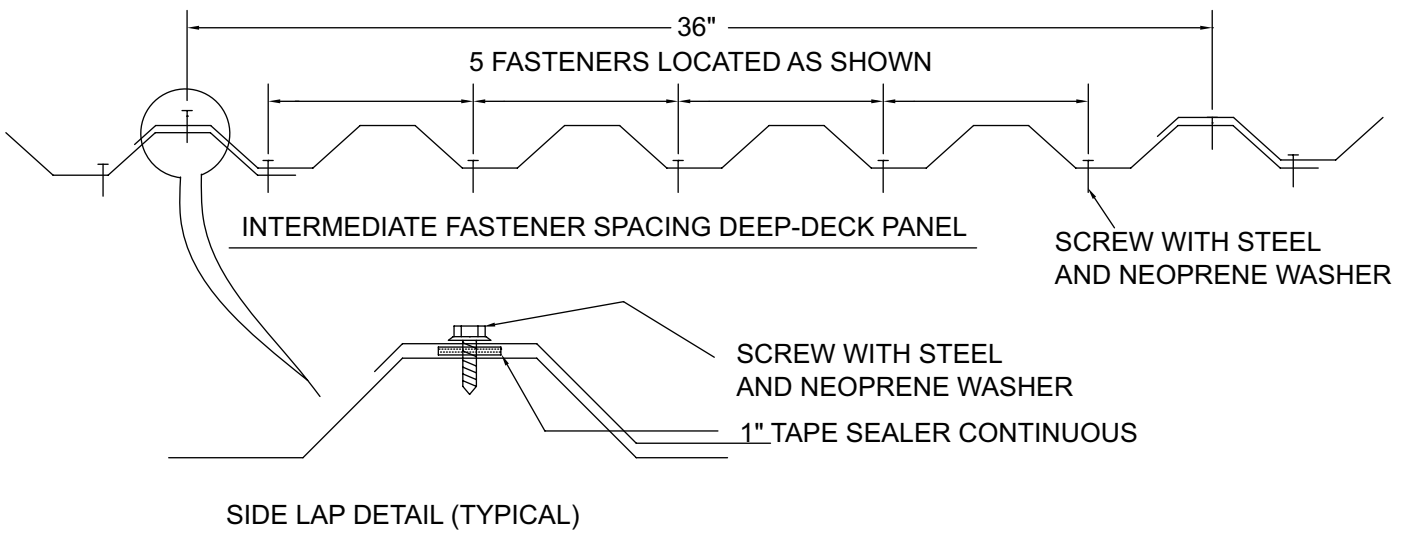
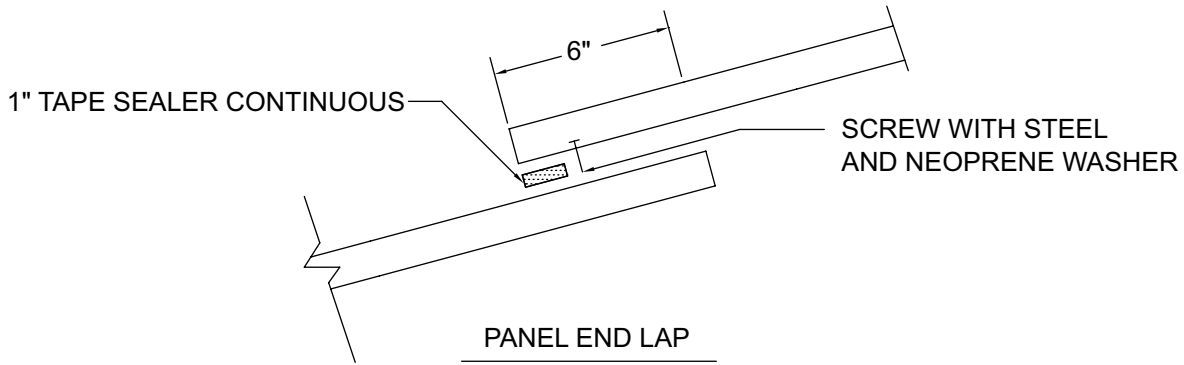
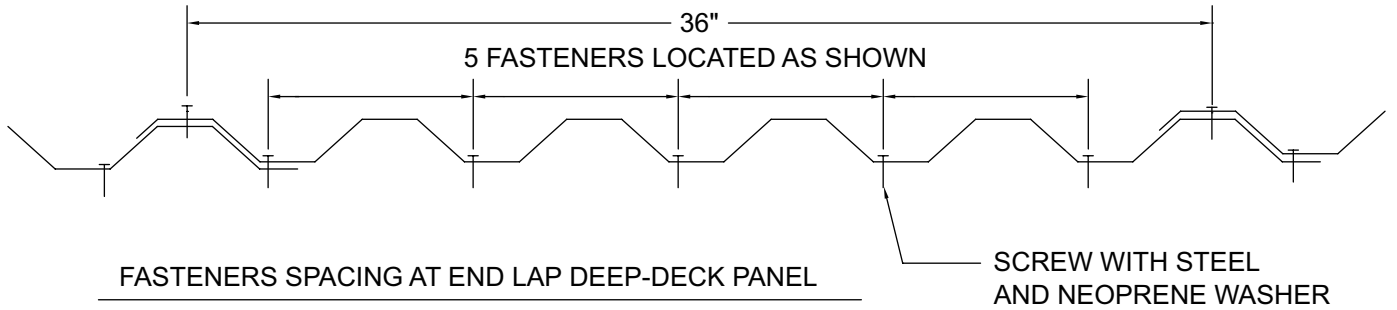
**BERRIDGE**  
**MANUFACTURING**  
**COMPANY**

OVERVIEW

Deep-Deck Panel

DATE: 12-05-02

PAGE/FILE  
 DD-3



**BERRIDGE**  
**MANUFACTURING**  
**COMPANY**

## FASTENER LOCATIONS

### Deep-Deck Panel

DATE: 12-05-02

PAGE/FILE  
 DD-4

BERRIDGE DEEP-DECK PANEL

INSIDE FOAM CLOSURE WITH TAPE SEALER TOP & BOTTOM

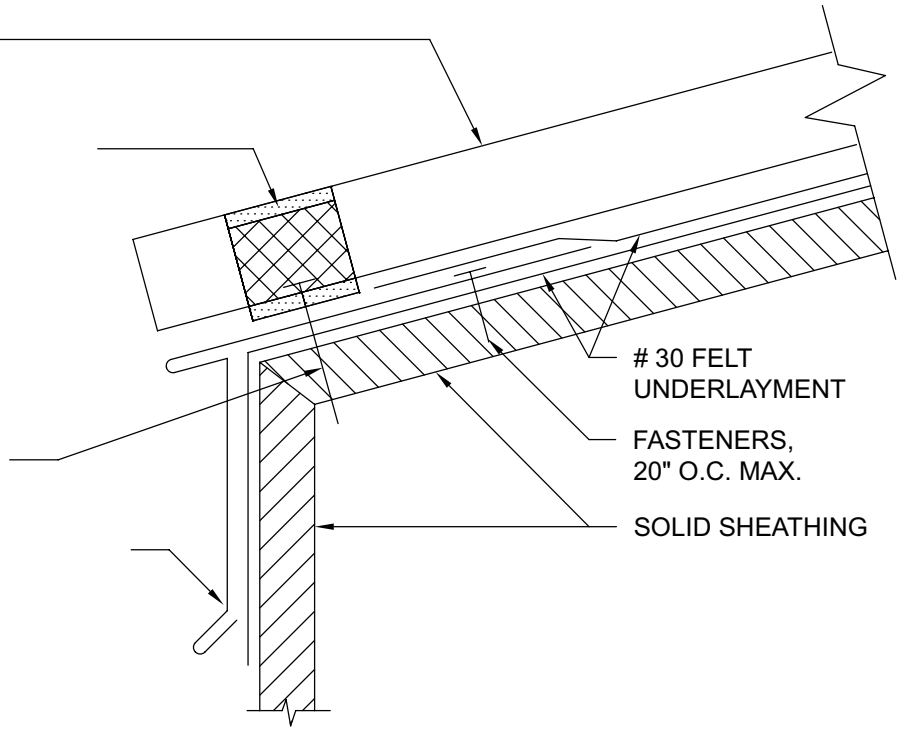
PANEL FASTENER WITH METAL BACKED NEOPRENE WASHER

EAVE FLASHING, 4" END LAPS WITH CONTINUOUS CAULK AT LAPS

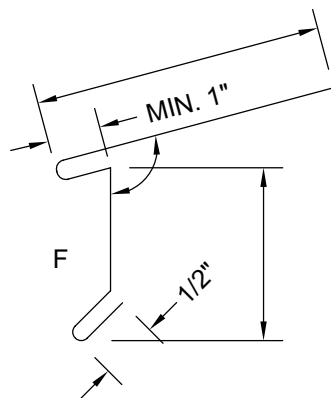
# 30 FELT UNDERLAYMENT

FASTENERS, 20" O.C. MAX.

SOLID SHEATHING



1. SOLID SHEATHING (BY OTHERS) TO BE MINIMUM 1/2" PLYWOOD OR EQUIVALENT IN STRENGTH FOR HOLDING POWER OF FASTENERS.
2. ALL FELT UNDERLAYMENT, CAULKING AND FASTENERS ARE ITEMS TO BE FURNISHED AND INSTALLED BY THE ROOFING INSTALLER AT THE DISCRETION OF THE ARCHITECT.



F = FINISH SIDE

EAVE FLASHING



BERRIDGE  
MANUFACTURING  
COMPANY

EAVE DETAIL  
SOLID SHEATHING

Deep-Deck Panel

DATE: 12-05-02

PAGE/FILE  
DD-10

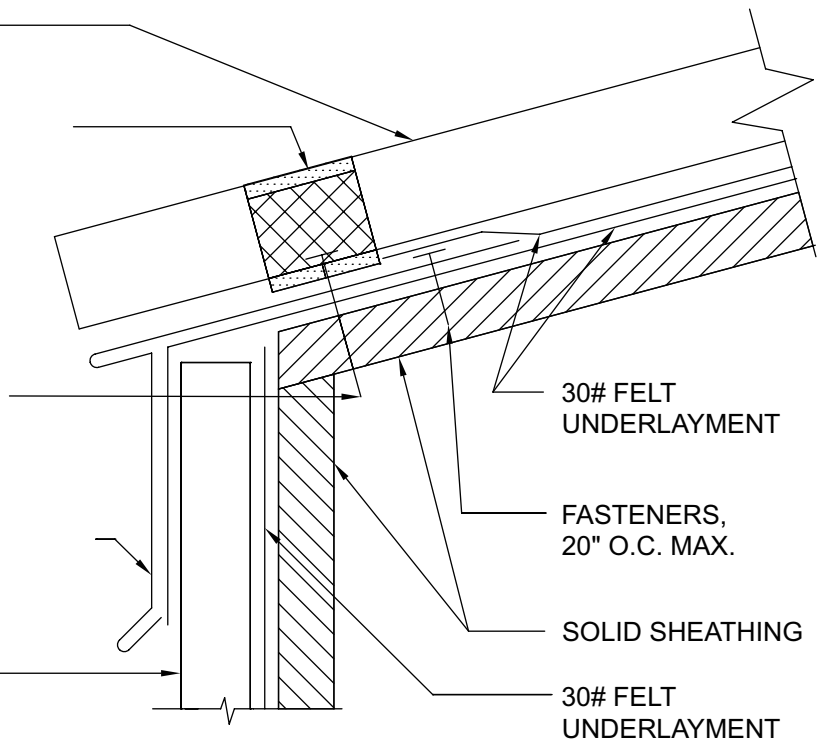
BERRIDGE DEEP-DECK PANEL

INSIDE FOAM CLOSURE WITH TAPE SEALER TOP & BOTTOM

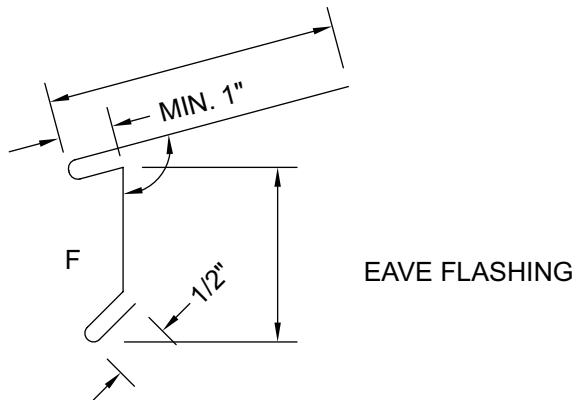
PANEL FASTENER WITH METAL BACKED NEOPRENE WASHER

EAVE FLASHING, 4" END LAPS WITH CONTINUOUS CAULK AT LAPS

BERRIDGE WALL PANEL



1. SOLID SHEATHING (BY OTHERS) TO BE MINIMUM 1/2" PLYWOOD OR EQUIVALENT IN STRENGTH FOR HOLDING POWER OF FASTENERS.
2. ALL FELT UNDERLAYMENT, CAULKING AND FASTENERS ARE ITEMS TO BE FURNISHED AND INSTALLED BY THE ROOFING INSTALLER AT THE DISCRETION OF THE ARCHITECT.



F = FINISH SIDE



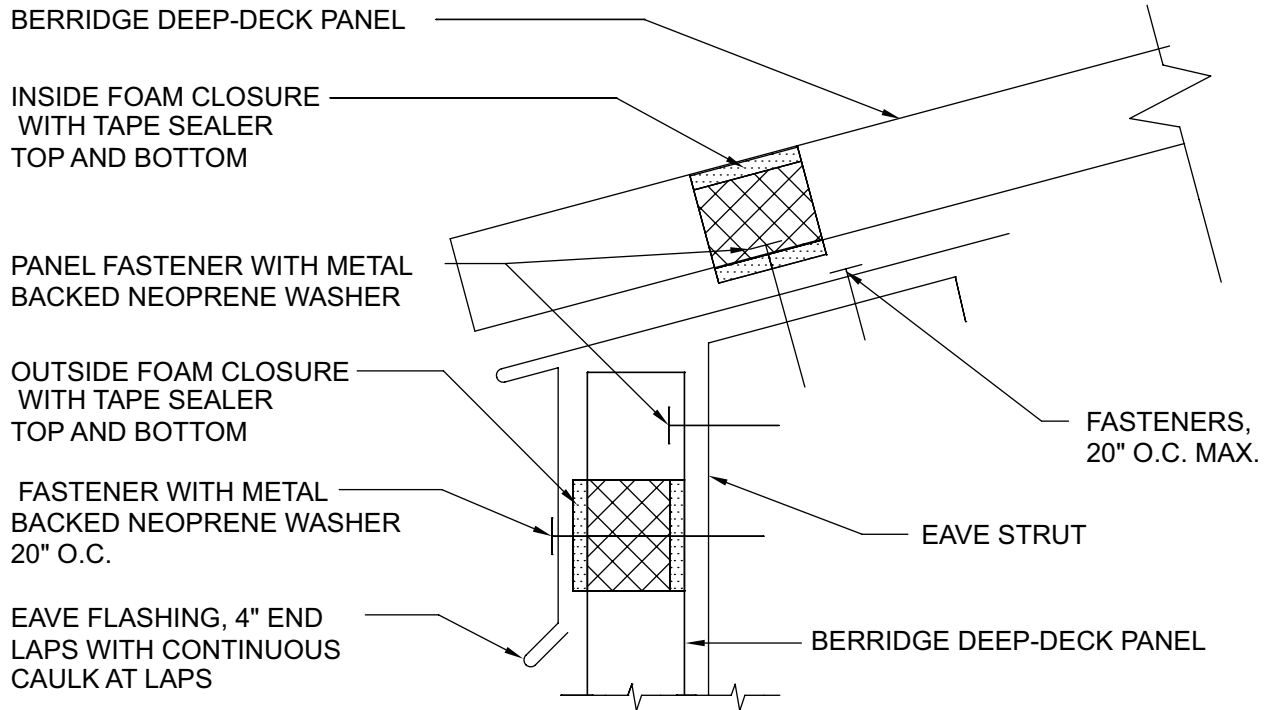
**BERRIDGE**  
MANUFACTURING  
COMPANY

**EAVE DETAIL  
SOLID SHEATHING**

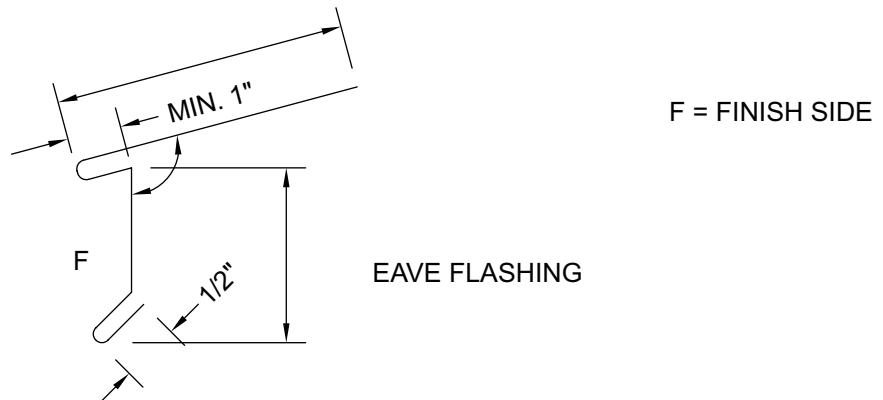
**Deep-Deck Panel**

DATE: 12-05-02

PAGE/FILE  
DD-11



1. CAULKING AND FASTENERS ARE ITEMS TO BE FURNISHED AND INSTALLED BY THE ROOFING INSTALLER AT THE DISCRETION OF THE ARCHITECT.



**BERRIDGE**  
**MANUFACTURING**  
**COMPANY**

*Roofs of Distinction*

**EAVE DETAIL**  
**OPEN FRAMING**

**Deep-Deck Panel**

DATE: 12-05-02

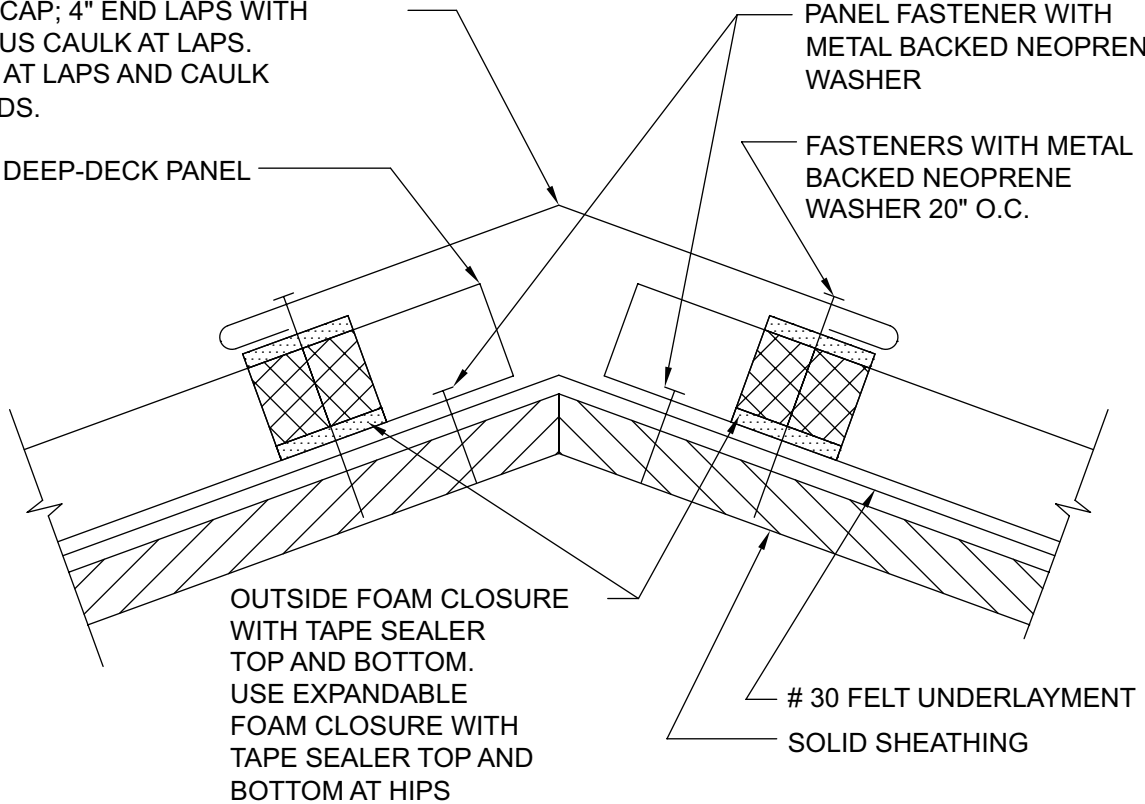
PAGE/FILE  
 DD-12

RIDGE/HIP CAP; 4" END LAPS WITH CONTINUOUS CAULK AT LAPS. POP RIVET AT LAPS AND CAULK RIVET HEADS.

BERRIDGE DEEP-DECK PANEL

PANEL FASTENER WITH METAL BACKED NEOPRENE WASHER

FASTENERS WITH METAL BACKED NEOPRENE WASHER 20" O.C.

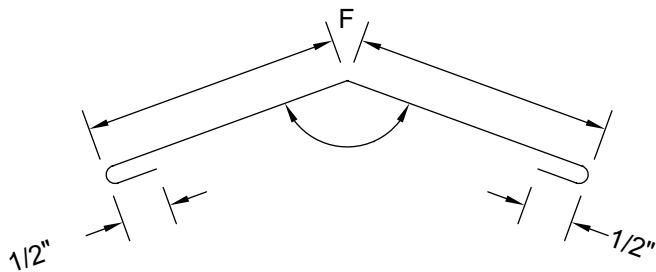


OUTSIDE FOAM CLOSURE WITH TAPE SEALER TOP AND BOTTOM. USE EXPANDABLE FOAM CLOSURE WITH TAPE SEALER TOP AND BOTTOM AT HIPS

# 30 FELT UNDERLAYMENT  
SOLID SHEATHING

1. SOLID SHEATHING (BY OTHERS) TO BE MINIMUM 1/2" PLYWOOD OR EQUIVALENT IN STRENGTH FOR HOLDING POWER OF FASTENERS.
2. ALL FELTING UNDERLAYMENT, CAULKING, AND FASTENERS, ARE ITEMS TO BE FURNISHED AND INSTALLED BY THE ROOFING INSTALLER AT THE DISCRETION OF THE ARCHITECT.

F = FINISH SIDE



RIDGE/HIP CAP



**BERRIDGE**  
MANUFACTURING  
COMPANY

*Roofs of Distinction*

## RIDGE AND HIP DETAIL

### Deep-Deck Panel

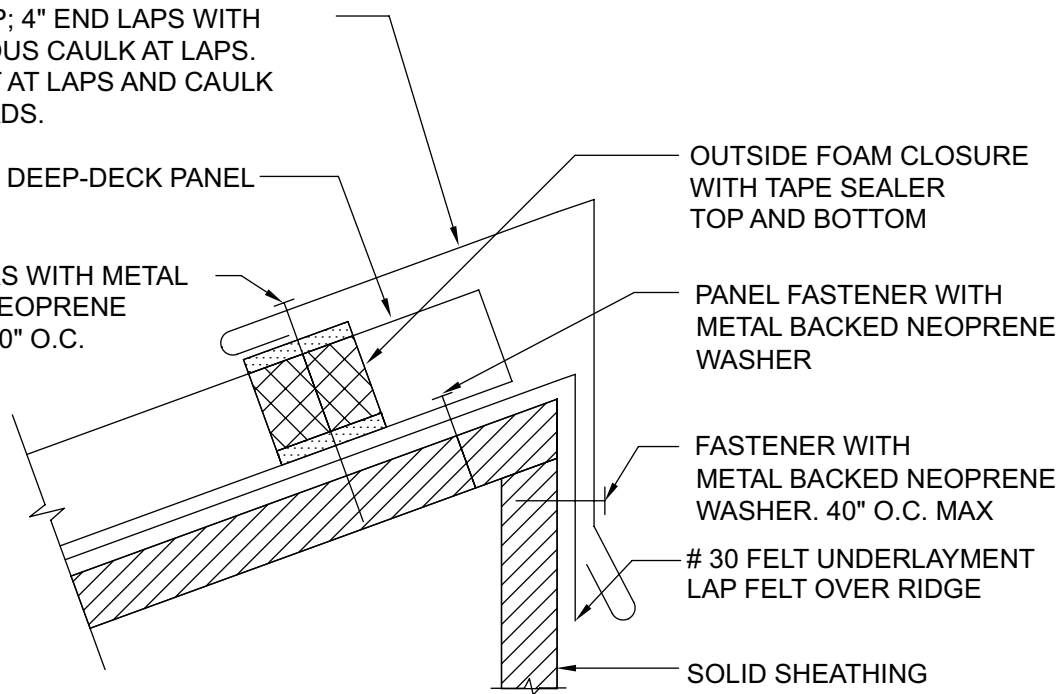
DATE: 12-05-02

PAGE/FILE  
DD-20

RIDGE CAP; 4" END LAPS WITH CONTINUOUS CAULK AT LAPS. POP RIVET AT LAPS AND CAULK RIVET HEADS.

BERRIDGE DEEP-DECK PANEL

FASTENERS WITH METAL BACKED NEOPRENE WASHER 20" O.C.



OUTSIDE FOAM CLOSURE WITH TAPE SEALER TOP AND BOTTOM

PANEL FASTENER WITH METAL BACKED NEOPRENE WASHER

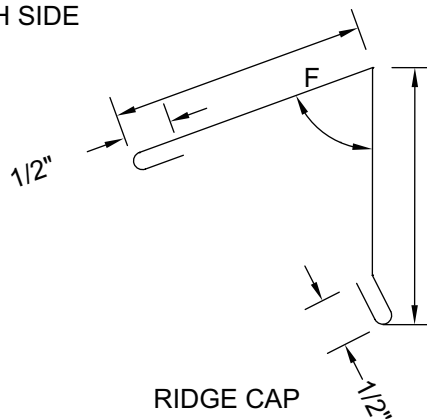
FASTENER WITH METAL BACKED NEOPRENE WASHER. 40" O.C. MAX

# 30 FELT UNDERLAYMENT LAP FELT OVER RIDGE

SOLID SHEATHING

1. SOLID SHEATHING (BY OTHERS) TO BE MINIMUM 1/2" PLYWOOD OR EQUIVALENT IN STRENGTH FOR HOLDING POWER OF FASTENERS.
2. ALL FELTING UNDERLAYMENT, CAULKING, AND FASTENERS, ARE ITEMS TO BE FURNISHED AND INSTALLED BY THE ROOFING INSTALLER AT THE DISCRETION OF THE ARCHITECT.

F = FINISH SIDE



RIDGE CAP



**BERRIDGE**  
MANUFACTURING  
COMPANY

## SHED ROOF RIDGE CAP DETAIL

Deep-Deck Panel

DATE: 12-05-02

PAGE/FILE

DD-21



RIDGE/HIP CAP; 4" END LAPS WITH CONTINUOUS CAULK AT LAPS.

BERRIDGE DEEP-DECK PANEL

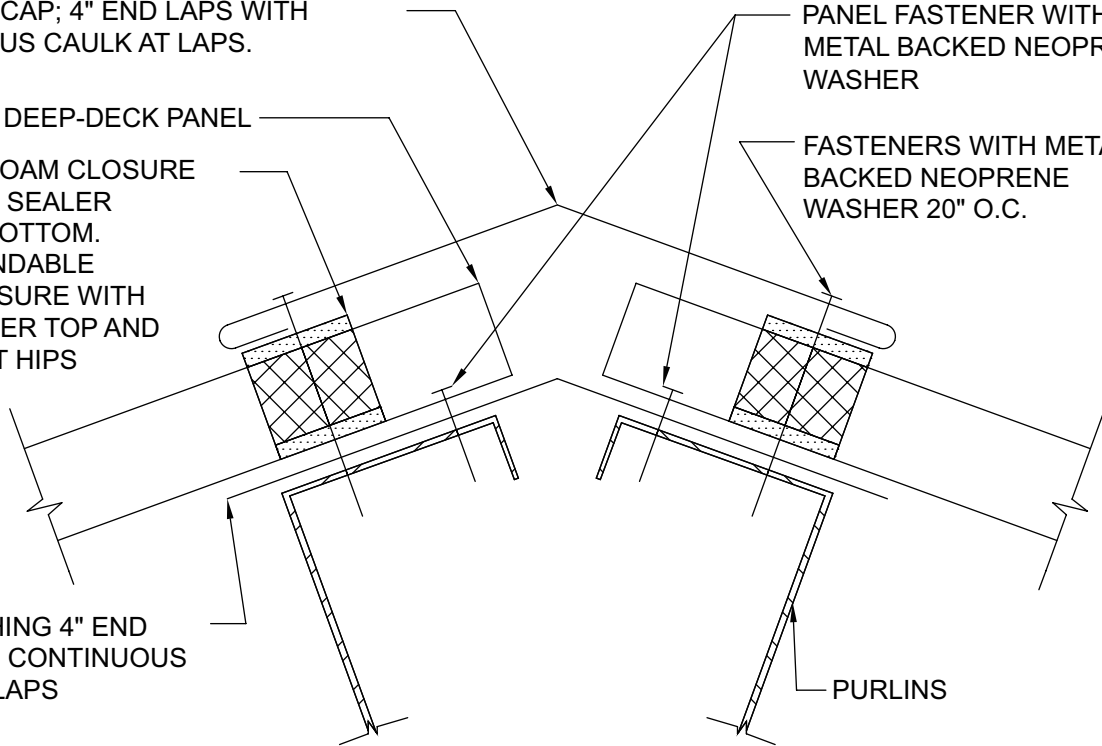
OUTSIDE FOAM CLOSURE WITH TAPE SEALER TOP AND BOTTOM. USE EXPANDABLE FOAM CLOSURE WITH TAPE SEALER TOP AND BOTTOM AT HIPS

PANEL FASTENER WITH METAL BACKED NEOPRENE WASHER

FASTENERS WITH METAL BACKED NEOPRENE WASHER 20" O.C.

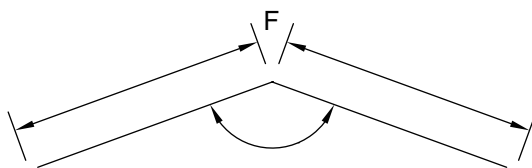
SUB FLASHING 4" END LAPS WITH CONTINUOUS CAULK AT LAPS

PURLINS

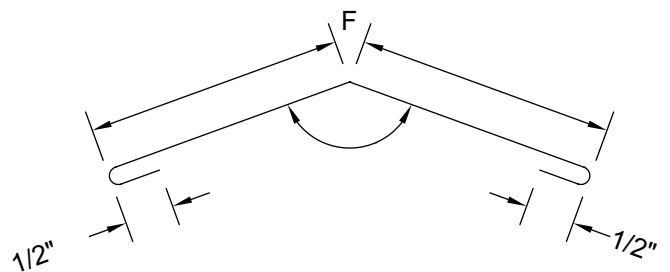


1. ALL CAULKING, AND FASTENERS, ARE ITEMS TO BE FURNISHED AND INSTALLED BY THE ROOFING INSTALLER AT THE DISCRETION OF THE ARCHITECT.

F = FINISH SIDE



SUB FLASHING



RIDGE/HIP CAP



**BERRIDGE**  
MANUFACTURING  
COMPANY

*Roofs of Distinction*

**RIDGE AND HIP DETAIL  
OPEN FRAMING**

**Deep-Deck Panel**

DATE: 12-05-02

PAGE/FILE

DD-22

METAL BUILDING RIDGE CAP; 4" END LAPS WITH CONTINUOUS CAULK AT LAPS.

SUB FLASHING 4" END LAPS WITH CONTINUOUS CAULK AT LAPS

BERRIDGE DEEP-DECK PANEL

PANEL FASTENER WITH METAL BACKED NEOPRENE WASHER

FASTENERS WITH METAL BACKED NEOPRENE WASHER 20" O.C.

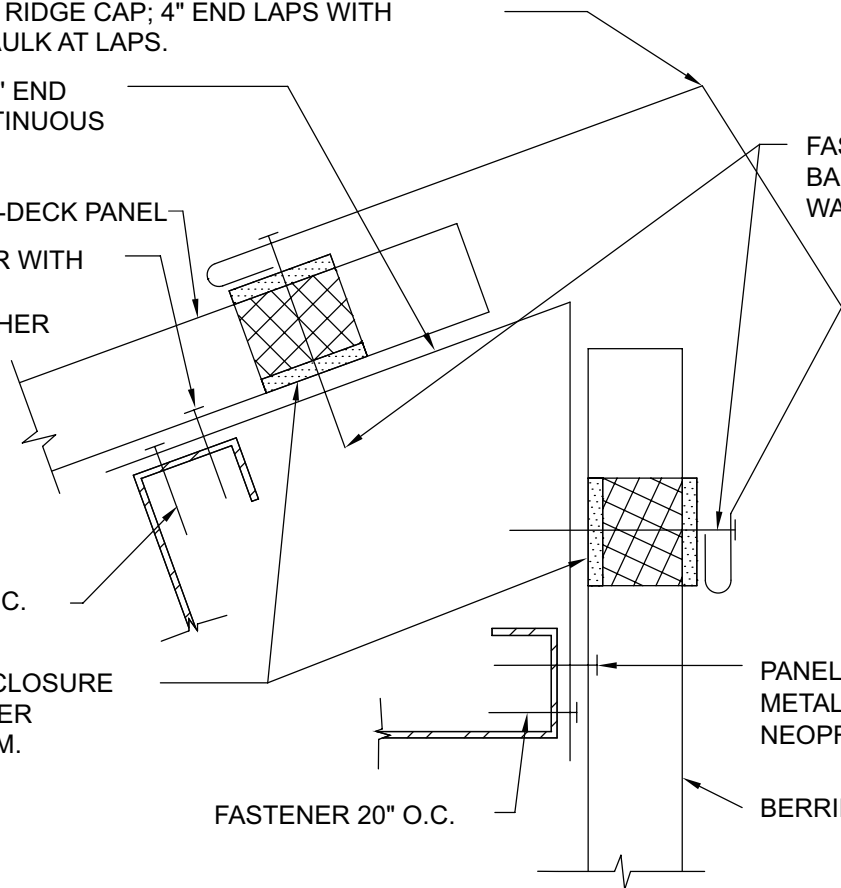
FASTENER 20" O.C.

OUTSIDE FOAM CLOSURE WITH TAPE SEALER TOP AND BOTTOM.

FASTENER 20" O.C.

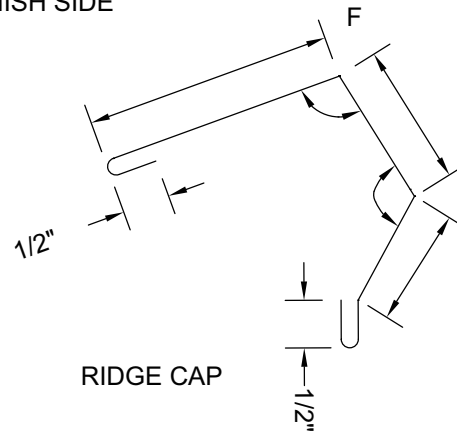
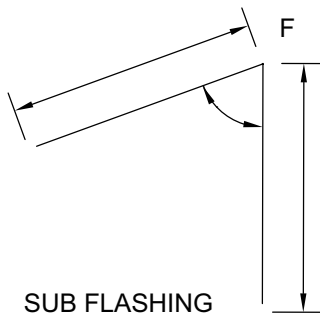
PANEL FASTENER WITH METAL BACKED NEOPRENE WASHER

BERRIDGE DEEP-DECK PANEL



1. CAULKING AND FASTENERS ARE ITEMS TO BE FURNISHED AND INSTALLED BY THE ROOFING INSTALLER AT THE DISCRETION OF THE ARCHITECT.

F = FINISH SIDE



**BERRIDGE**  
MANUFACTURING  
COMPANY

*Roofs of Distinction*

## SHED RIDGE DETAIL OPEN FRAMING

### Deep-Deck Panel

DATE: 12-05-02

PAGE/FILE

DD-23

# SECTION VIEW

FIELD FORM END OF RIDGE FLASHING  
AND EXTEND UNDER UPPER PANEL

RIDGE FLASHING; 4" END LAPS  
WITH CONTINUOUS CAULK AT LAPS

FIELD TAPERED OUTSIDE CLOSURE

BERRIDGE DEEP-DECK  
PANEL

EXPANDABLE FOAM  
CLOSURE WITH TAPE  
SEALER TOP AND BOTTOM

DD-20

# 30 FELT  
UNDERLAYMENT

PANEL FASTENER WITH  
METAL BACKED  
NEOPRENE WASHER

SOLID SHEATHING

VALLEY FLASHING; 12" LAPS WITH  
CONTINUOUS CAULK AT LAPS

# PLAN VIEW

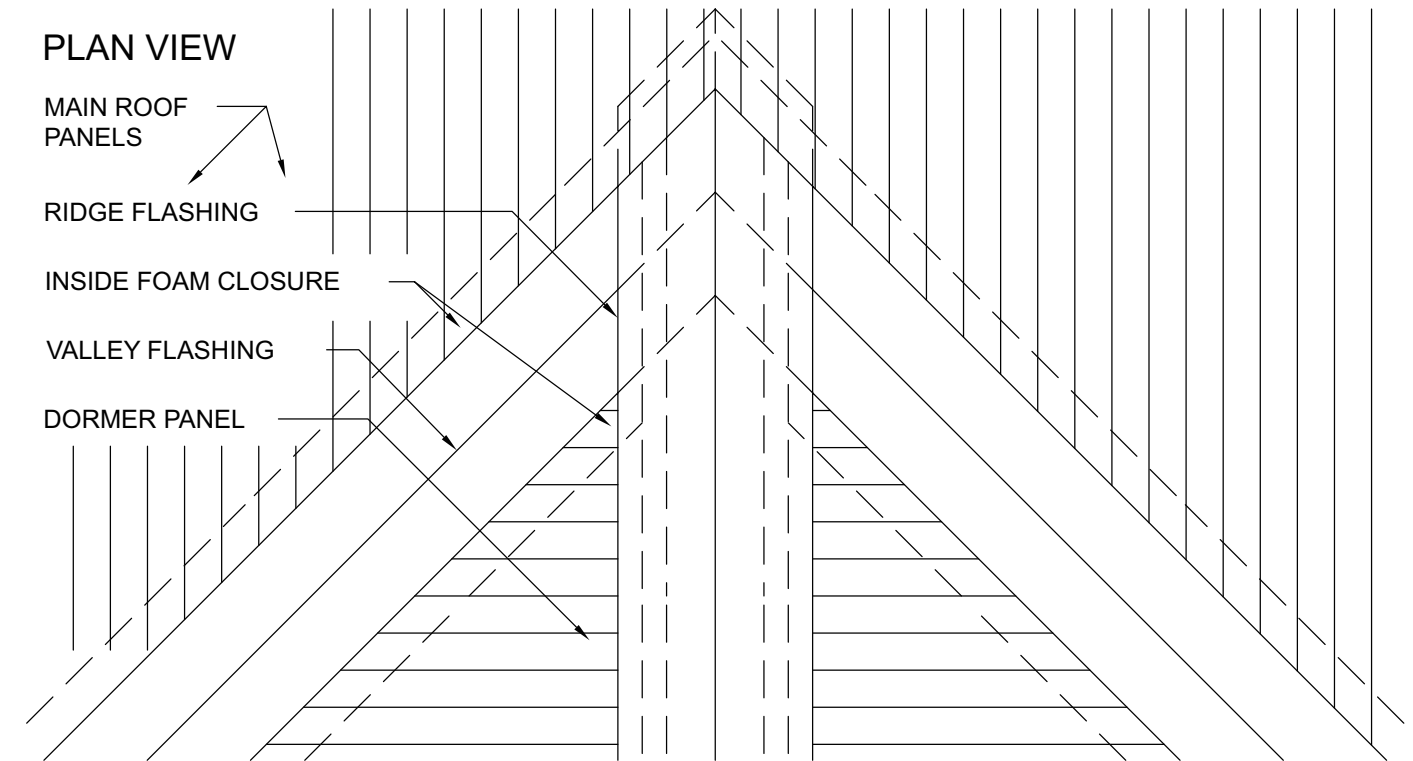
MAIN ROOF  
PANELS

RIDGE FLASHING

INSIDE FOAM CLOSURE

VALLEY FLASHING

DORMER PANEL



**BERRIDGE**  
MANUFACTURING  
COMPANY

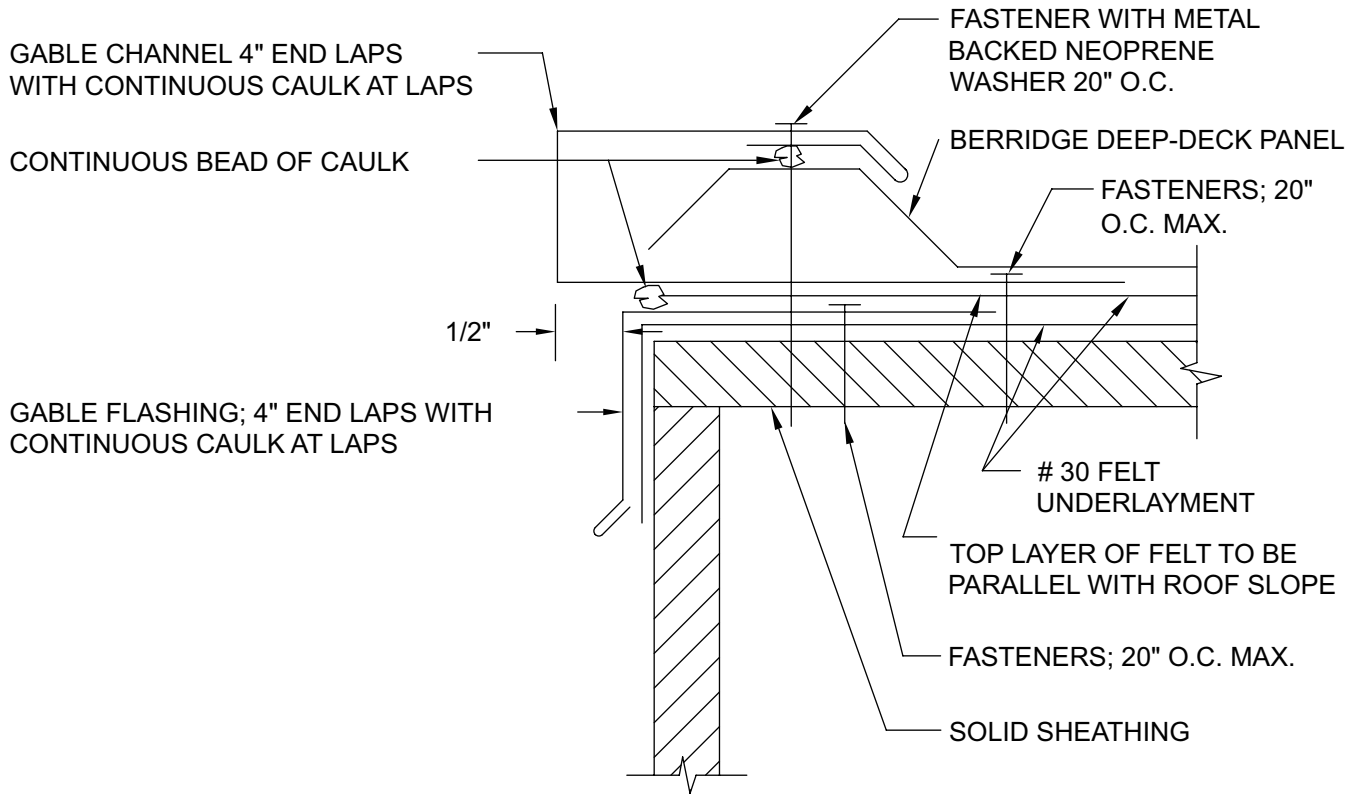
RIDGE TERMINATION AT  
DORMER VALLEY

Deep-Deck Panel

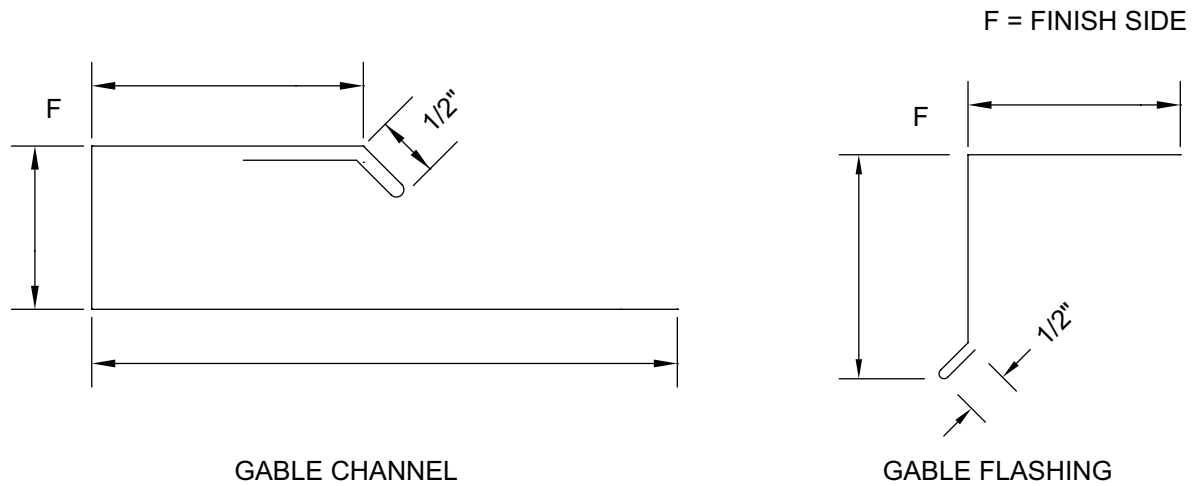
DATE: 12-05-02

PAGE/FILE

DD-24



1. SOLID SHEATHING (BY OTHERS) TO BE MINIMUM 1/2" PLYWOOD OR EQUIVALENT IN STRENGTH FOR HOLDING POWER OF FASTENERS.
2. ALL FELT UNDERLAYMENT, CAULKING, AND FASTENERS, ARE ITEMS TO BE FURNISHED AND INSTALLED BY THE ROOFING INSTALLER AT THE DISCRETION OF THE ARCHITECT.



**BERRIDGE  
MANUFACTURING  
COMPANY**

*Roofs of Distinction*

## GABLE DETAIL

### Deep-Deck Panel

DATE: 12-05-02

PAGE/FILE

DD-30

FASTENER WITH METAL BACKED NEOPRENE WASHER  
20" O.C.

GABLE FLASHING; 4" END LAPS WITH CONTINUOUS CAULK AT LAPS

PANEL FASTENER WITH METAL BACKED NEOPRENE WASHER

OUTSIDE FOAM CLOSURE WITH TAPE SEALER TOP AND BOTTOM

FASTENER WITH METAL BACKED NEOPRENE WASHER  
20" O.C.

BERRIDGE DEEP-DECK PANEL

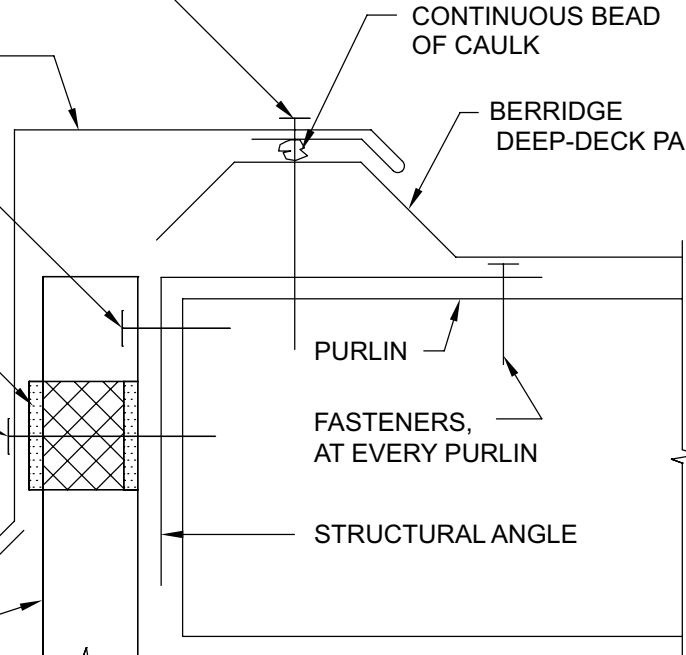
CONTINUOUS BEAD OF CAULK

BERRIDGE DEEP-DECK PANEL

PURLIN

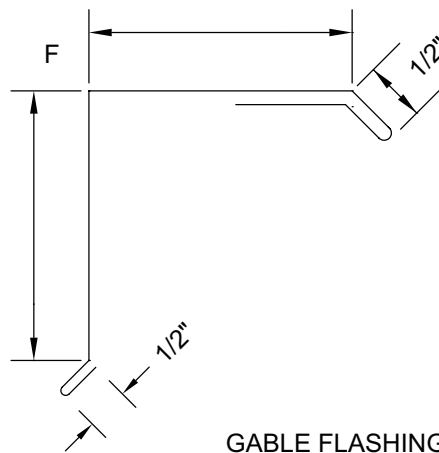
FASTENERS, AT EVERY PURLIN

STRUCTURAL ANGLE



1. CAULKING AND FASTENERS ARE ITEMS TO BE FURNISHED AND INSTALLED BY THE ROOFING INSTALLER AT THE DISCRETION OF THE ARCHITECT.

F = FINISH SIDE



GABLE FLASHING



**BERRIDGE**  
MANUFACTURING  
COMPANY

*Roofs of Distinction*

## GABLE DETAIL OPEN FRAMING

Deep-Deck Panel

DATE: 12-05-02

PAGE/FILE

DD-31

CAP FLASHING; 4" END LAPS WITH CONTINUOUS CAULK AT LAPS. POP RIVET TO COUNTER FLASHING 40" O.C. MAX. CAULK ALL RIVET HEADS

FASTENERS; 20" O.C. MAX.

COUNTERFLASHING; 4" END LAPS WITH CONTINUOUS CAULK AT LAPS

SUB-FLASHING; 4" END LAPS WITH CONTINUOUS CAULK AT LAPS

# 30 FELT UNDERLAYMENT

OUTSIDE FOAM CLOSURE WITH TAPE SEALER TOP AND BOTTOM

BERRIDGE DEEP-DECK PANEL

SOLID SHEATHING

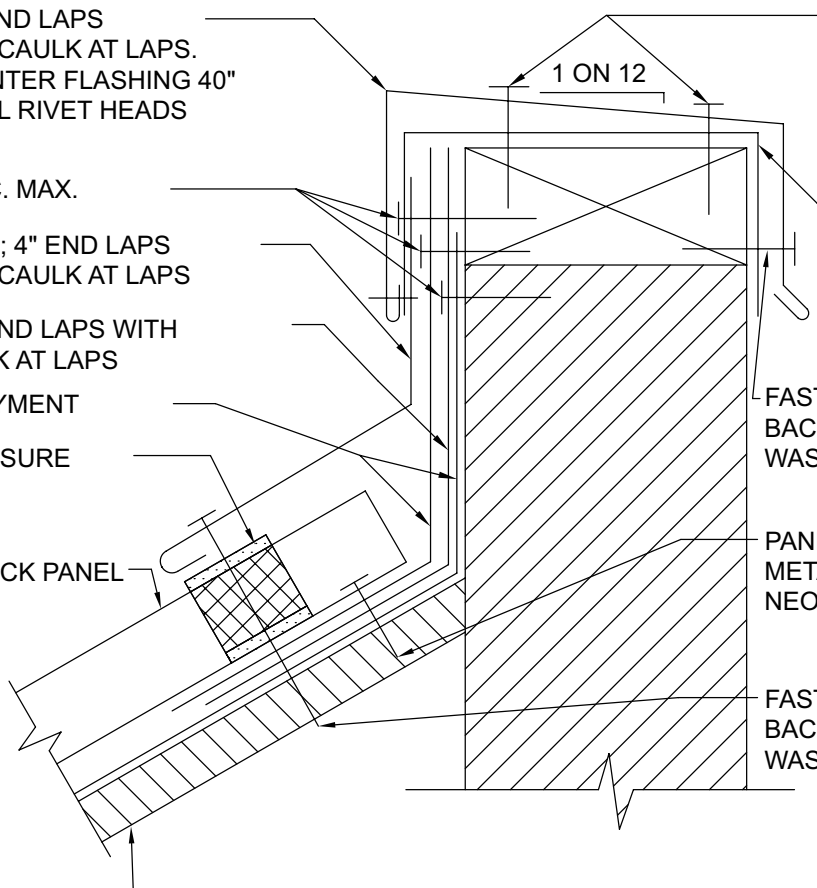
FASTENERS AT LAPS AND STAGGERED; 20" O.C. AND CAULK FASTENER HEADS

# 30 FELT UNDERLAYMENT

FASTENERS; WITH METAL BACKED NEOPRENE WASHER. 40" O.C. MAX.

PANEL FASTENERS; WITH METAL BACKED NEOPRENE WASHER.

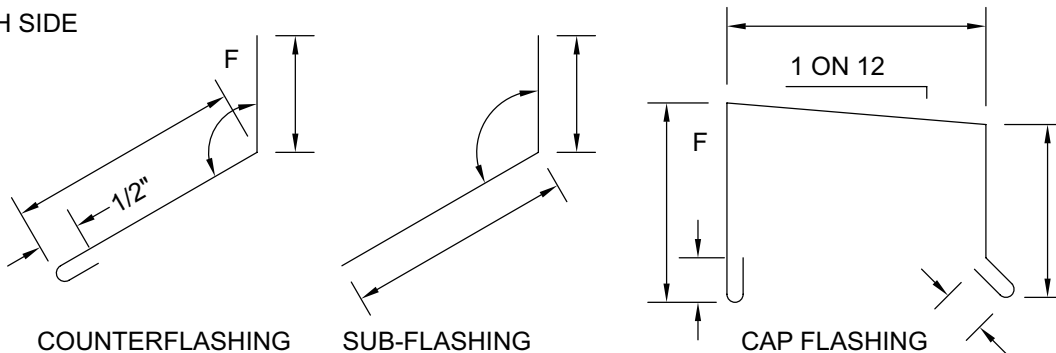
FASTENERS; WITH METAL BACKED NEOPRENE WASHER. 20" O.C. MAX.



1. SOLID SHEATHING (BY OTHERS) TO BE MINIMUM 1/2" PLYWOOD OR EQUIVALENT IN STRENGTH FOR HOLDING POWER OF FASTENERS.

2. ALL FELT UNDERLAYMENT, CAULKING, AND FASTENERS, ARE ITEMS TO BE FURNISHED AND INSTALLED BY THE ROOFING INSTALLER AT THE DISCRETION OF THE ARCHITECT.

F = FINISH SIDE



COUNTERFLASHING

SUB-FLASHING

CAP FLASHING



**BERRIDGE**  
MANUFACTURING  
COMPANY

**PARAPET DETAIL**

**Deep-Deck Panel**

DATE: 12-05-02

PAGE/FILE  
DD-40

BERRIDGE DEEP-DECK PANEL

COUNTERFLASHING; 4" END LAPS WITH CONTINUOUS CAULK AT LAPS.

SUB-FLASHING; 4" END LAPS WITH CONTINUOUS CAULK AT LAPS

INSIDE FOAM CLOSURE WITH TAPE SEALER TOP AND BOTTOM.

OUTSIDE FOAM CLOSURE WITH TAPE SEALER TOP AND BOTTOM.

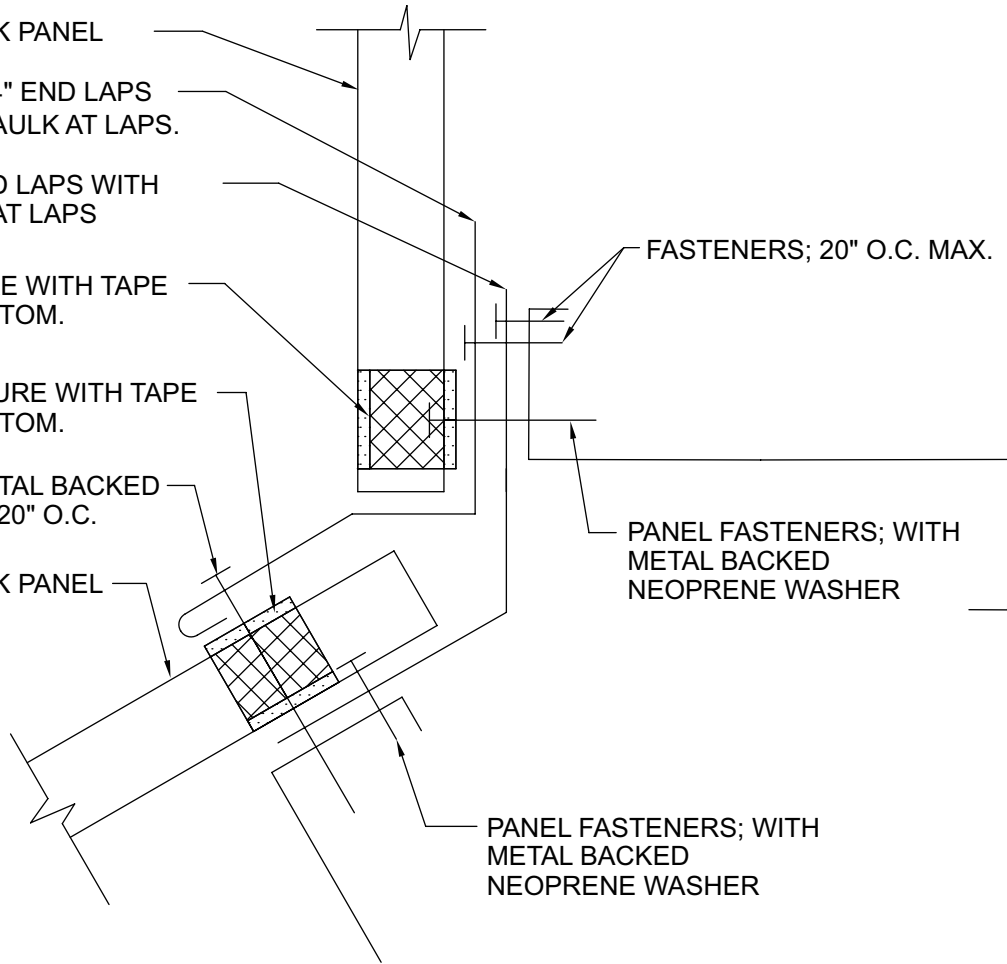
FASTENERS; WITH METAL BACKED NEOPRENE WASHER. 20" O.C.

BERRIDGE DEEP-DECK PANEL

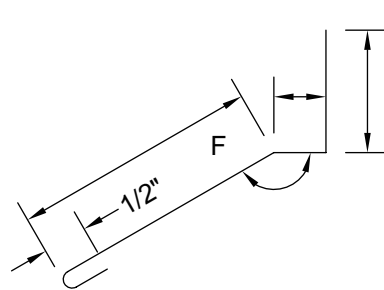
FASTENERS; 20" O.C. MAX.

PANEL FASTENERS; WITH METAL BACKED NEOPRENE WASHER

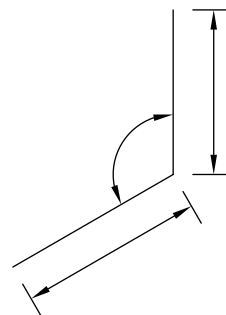
PANEL FASTENERS; WITH METAL BACKED NEOPRENE WASHER



1. CAULKING AND FASTENERS ARE ITEMS TO BE FURNISHED AND INSTALLED BY THE ROOFING INSTALLER AT THE DISCRETION OF THE ARCHITECT.



COUNTERFLASHING



SUB-FLASHING

F = FINISH SIDE



**BERRIDGE  
MANUFACTURING  
COMPANY**

*Roofs of Distinction*

# HEAD WALL DETAIL OPEN FRAMING

## Deep-Deck Panel

DATE: 12-05-02

PAGE/FILE  
DD-41

REGLET FLASHING; 4" END LAPS WITH CONTINUOUS CAULK AT LAPS

FASTENERS; 20" O.C. MAX.

COUNTERFLASHING; 4" END LAPS WITH CONTINUOUS CAULK AT LAPS.

SUB-FLASHING; 4" END LAPS WITH CONTINUOUS CAULK AT LAPS

BERRIDGE DEEP-DECK PANEL

OUTSIDE FOAM CLOSURE WITH TAPE SEALER TOP AND BOTTOM.

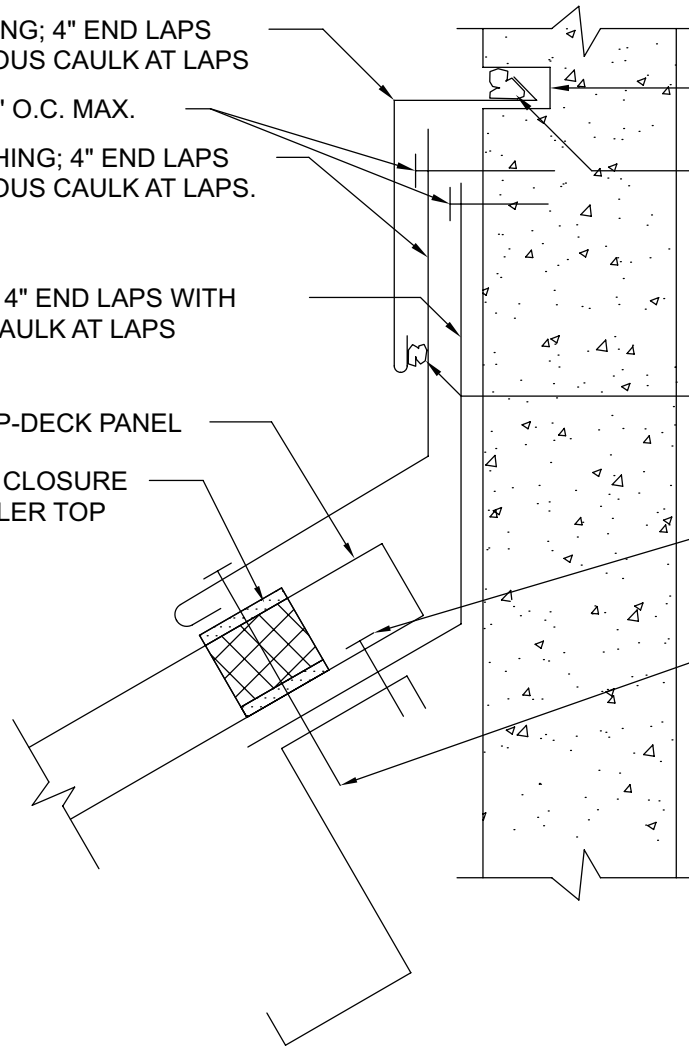
REGLET

CONTINUOUS CAULK AT REGLET

CONTINUOUS BEAD OF CAULK

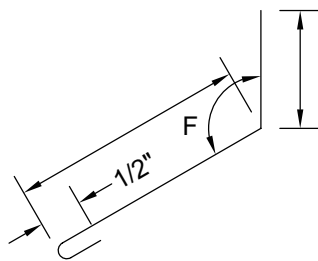
PANEL FASTENERS WITH METAL BACKED NEOPRENE WASHER.

FASTENERS WITH METAL BACKED NEOPRENE WASHER. 20" O.C.

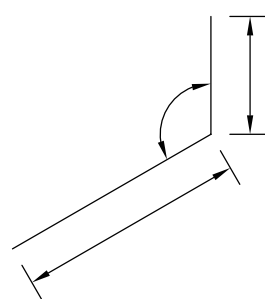


1. CAULKING AND FASTENERS ARE ITEMS TO BE FURNISHED AND INSTALLED BY THE ROOFING INSTALLER AT THE DISCRETION OF THE ARCHITECT.

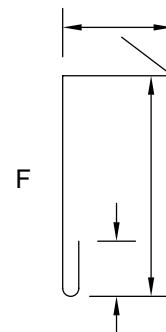
F = FINISH SIDE



COUNTERFLASHING



SUB-FLASHING



REGLET FLASHING



**BERRIDGE**  
MANUFACTURING  
COMPANY

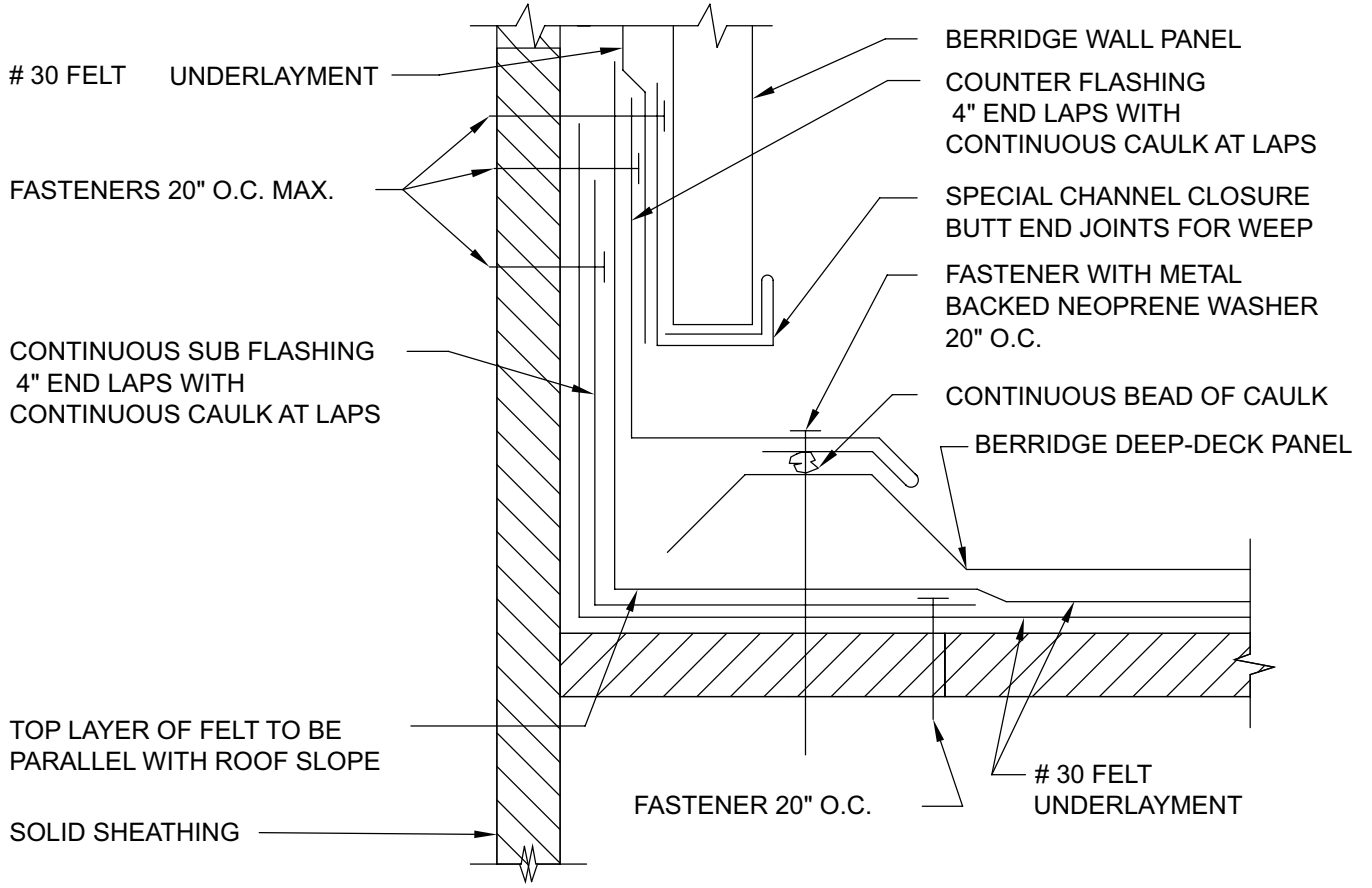
# HEAD WALL DETAIL OPEN FRAMING

## Deep-Deck Panel

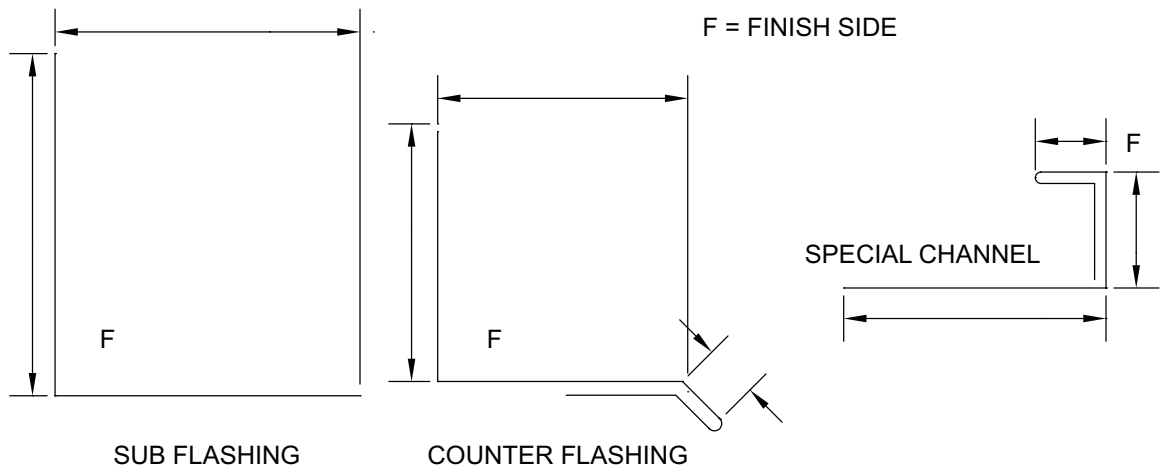
DATE: 12-05-02

PAGE/FILE  
DD-42





1. SOLID SHEATHING (BY OTHERS) TO BE MINIMUM 1/2" PLYWOOD OR EQUIVALENT IN STRENGTH FOR HOLDING POWER OF FASTENERS.
2. ALL FELT UNDERLAYMENT, CAULKING, AND FASTENERS, ARE ITEMS TO BE FURNISHED AND INSTALLED BY THE ROOFING INSTALLER AT THE DISCRETION OF THE ARCHITECT.



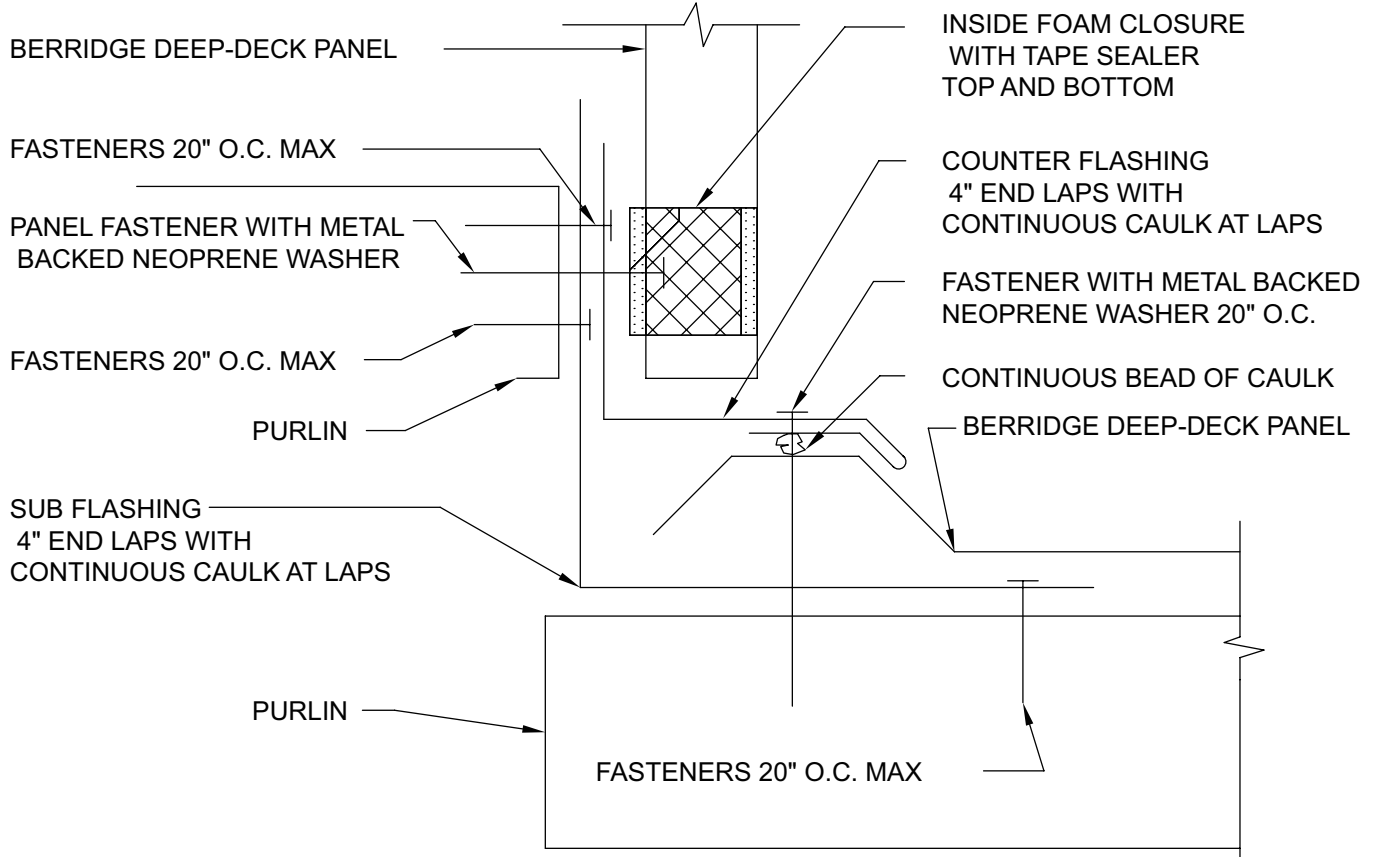
**BERRIDGE**  
**MANUFACTURING**  
**COMPANY**

**RAKE WALL**  
**WITH WALL PANEL**

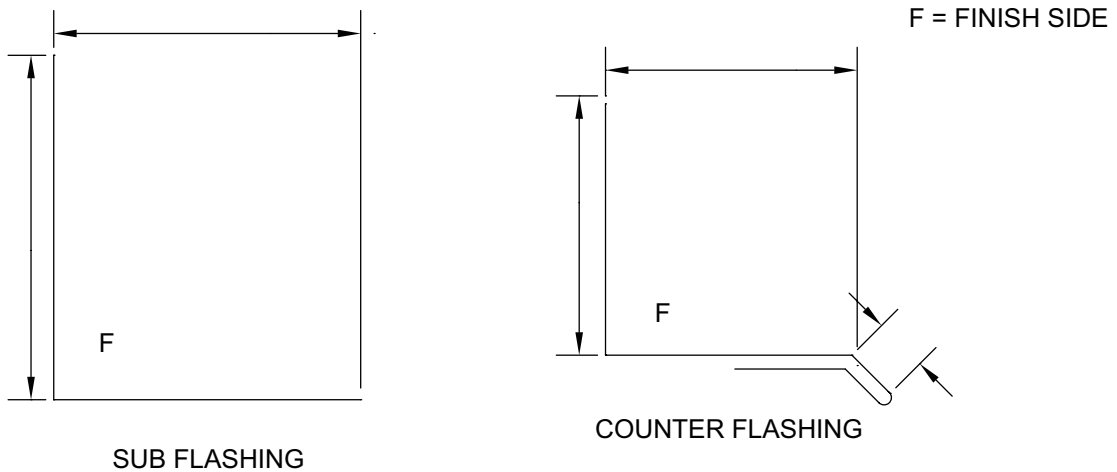
**Deep-Deck Panel**

DATE: 12-05-02

PAGE/FILE  
 DD-50



1. CAULKING AND FASTENERS ARE ITEMS TO BE FURNISHED AND INSTALLED BY THE ROOFING INSTALLER AT THE DISCRETION OF THE ARCHITECT.



**BERRIDGE**  
**MANUFACTURING**  
**COMPANY**

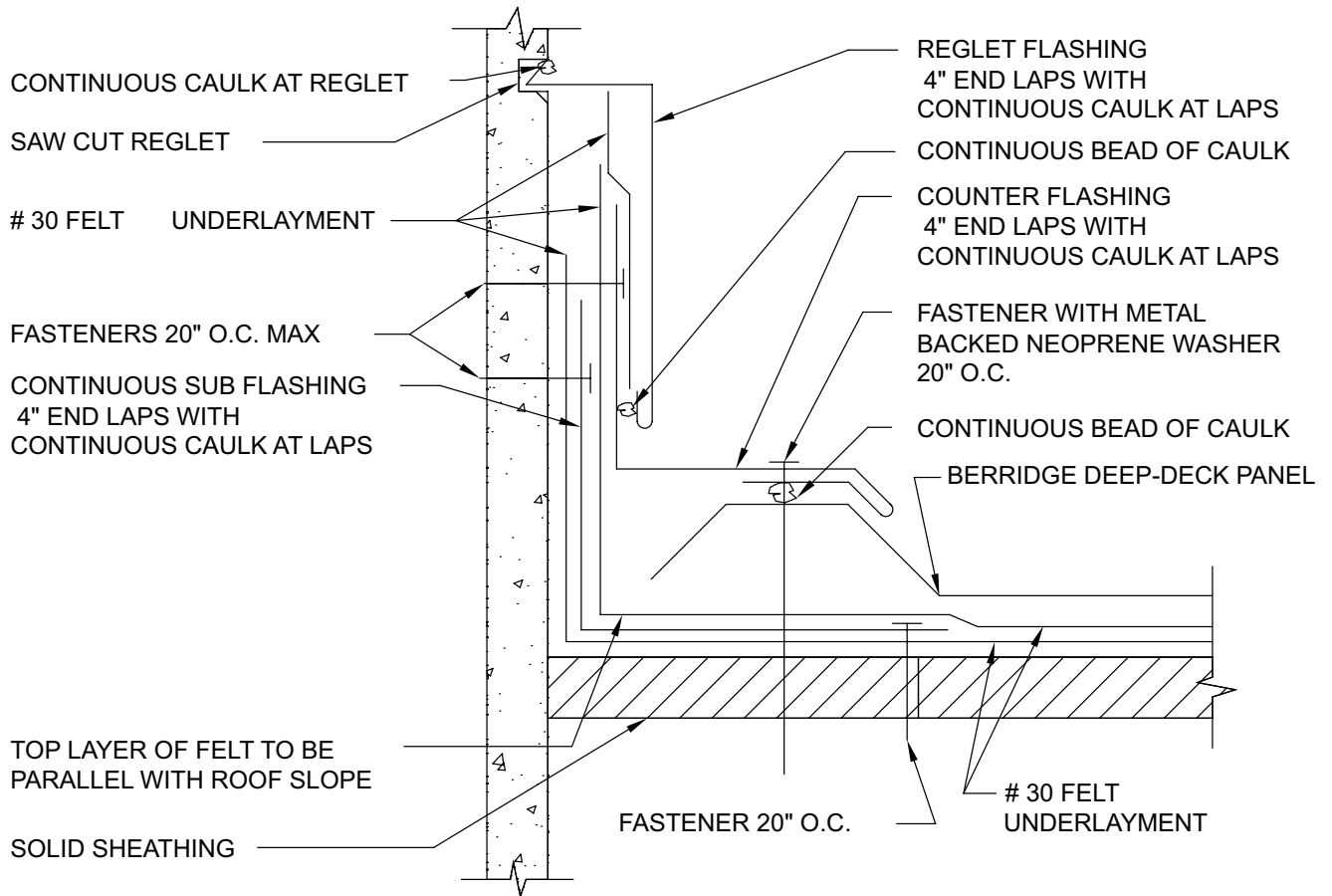
*Roofs of Distinction*

**RAKE WALL DETAIL**  
**OPEN FRAMING**

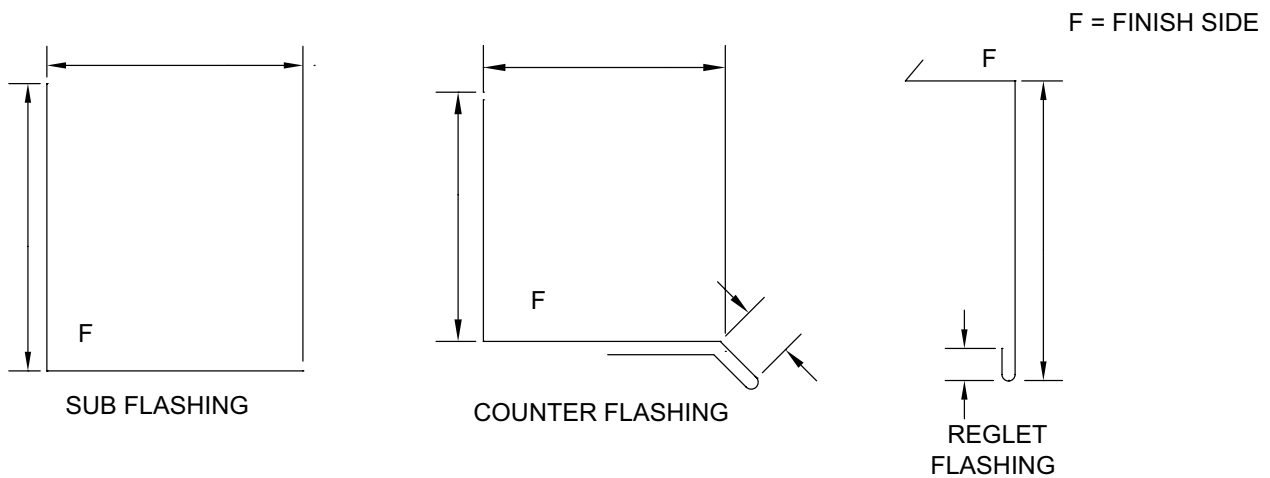
**Deep-Deck Panel**

DATE: 12-05-02

PAGE/FILE  
 DD-51



1. SOLID SHEATHING (BY OTHERS) TO BE MINIMUM 1/2" PLYWOOD OR EQUIVALENT IN STRENGTH FOR HOLDING POWER OF FASTENERS.
2. ALL FELT UNDERLAYMENT, CAULKING, AND FASTENERS, ARE ITEMS TO BE FURNISHED AND INSTALLED BY THE ROOFING INSTALLER AT THE DISCRETION OF THE ARCHITECT.



**BERRIDGE  
MANUFACTURING  
COMPANY**

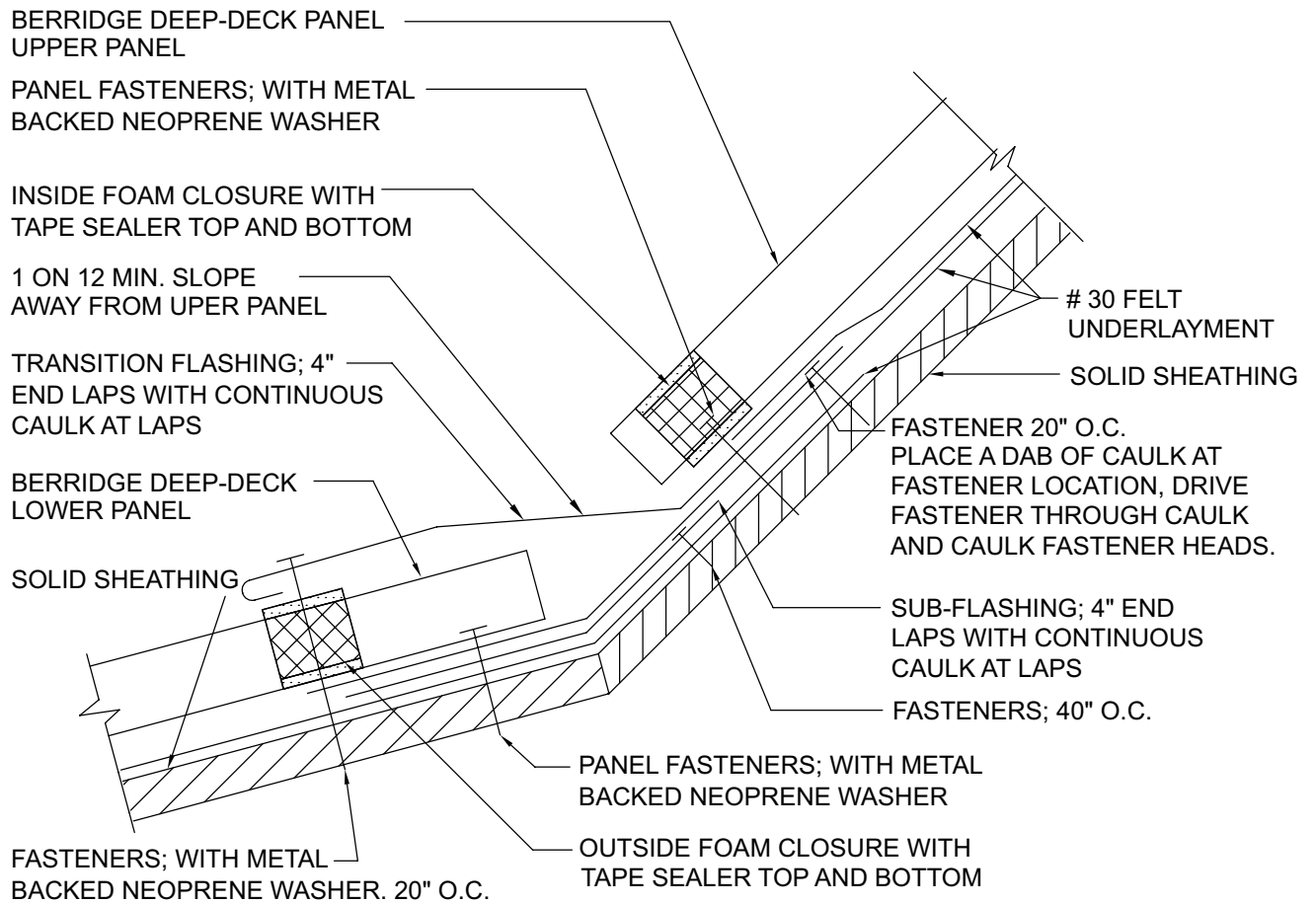
*Roofs of Distinction*

## RAKE WALL DETAIL WITH REGLET

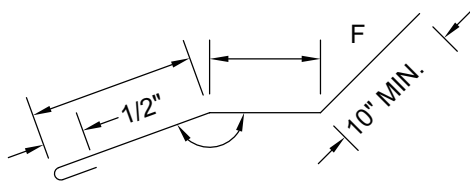
### Deep-Deck Panel

DATE: 12-05-02

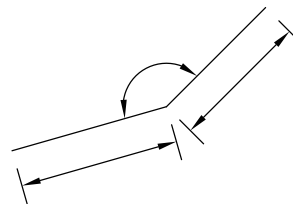
PAGE/FILE  
DD-52



1. SOLID SHEATHING (BY OTHERS) TO BE MINIMUM 1/2" PLYWOOD OR EQUIVALENT IN STRENGTH FOR HOLDING POWER OF FASTENERS.
2. ALL FELT UNDERLAYMENT, CAULKING, AND FASTENERS, ARE ITEMS TO BE FURNISHED AND INSTALLED BY THE ROOFING INSTALLER AT THE DISCRETION OF THE ARCHITECT.



TRANSITION FLASHING



SUB-FLASHING

F = FINISH SIDE



**BERRIDGE  
MANUFACTURING  
COMPANY**

## SLOPE TRANSITION DETAIL

Deep-Deck Panel

DATE: 12-05-02

PAGE/FILE  
DD-60

BERRIDGE DEEP-DECK PANEL

CONTINUOUS BEAD OF CAULK BETWEEN VALLEY FLASHING AND FELT UNDERLAYMENT

EXPANDABLE FOAM CLOSURE WITH TAPE SEALER TOP AND BOTTOM

FASTENERS 20" O.C. MAX.

# 30 FELT UNDERLAYMENT

VALLEY FLASHING 12" END LAPS WITH (2) CONTINUOUS BEADS CAULK AT LAPS

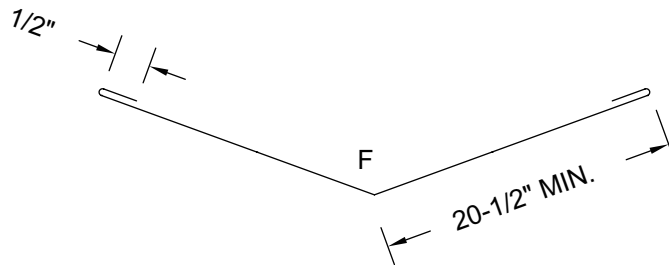
SOLID SHEATHING

9" MIN.

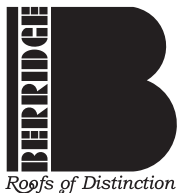
PANEL FASTENER WITH METAL BACKED NEOPRENE WASHER

1. SOLID SHEATHING (BY OTHERS) TO BE A MINIMUM OF 1/2" PLYWOOD OR EQUIVALENT IN STRENGTH FOR HOLDING POWER OF FASTENERS.
2. ALL FELT UNDERLAYMENT, CAULKING, AND FASTENERS, ARE ITEMS TO BE FURNISHED AND INSTALLED BY THE ROOFING INSTALLER AT THE DISCRETION OF THE ARCHITECT.

F = FINISH SIDE



VALLEY FLASHING



**BERRIDGE**  
MANUFACTURING  
COMPANY

## VALLEY DETAIL

### Deep-Deck Panel

DATE: 12-05-02

PAGE/FILE  
DD-70

BERRIDGE DEEP-DECK PANEL  
CONTINUOUS BEAD OF CAULK  
BETWEEN VALLEY FLASHING  
AND FELT UNDERLAYMENT

EXPANDABLE FOAM  
CLOSURE WITH TAPE  
SEALER TOP AND BOTTOM

FASTENERS 20" O.C. MAX.

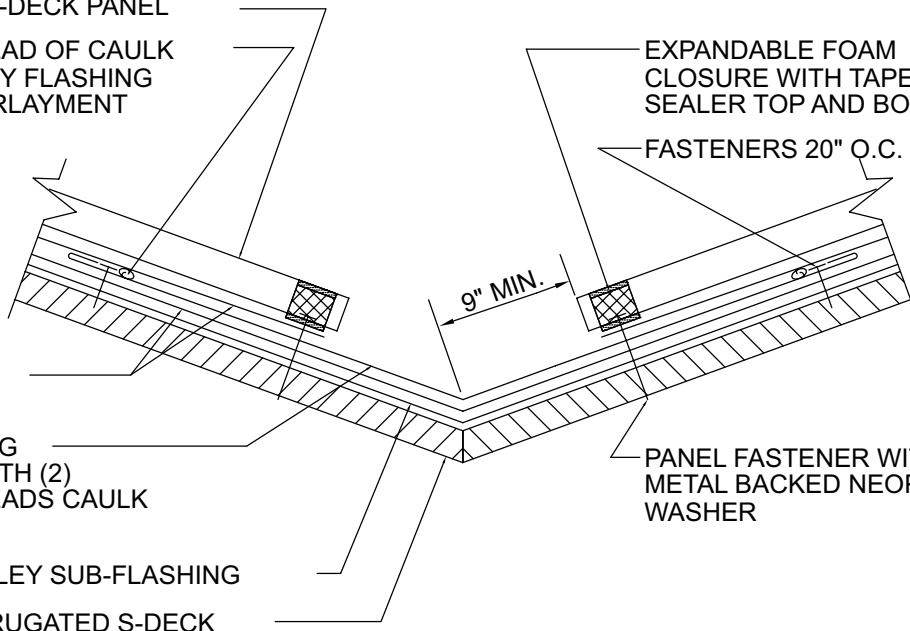
GRACE ICE AND  
WATERSHIELD

VALLEY FLASHING  
12" END LAPS WITH (2)  
CONTINUOUS BEADS CAULK  
AT LAPS

PANEL FASTENER WITH  
METAL BACKED NEOPRENE  
WASHER

FLAT SHEET VALLEY SUB-FLASHING

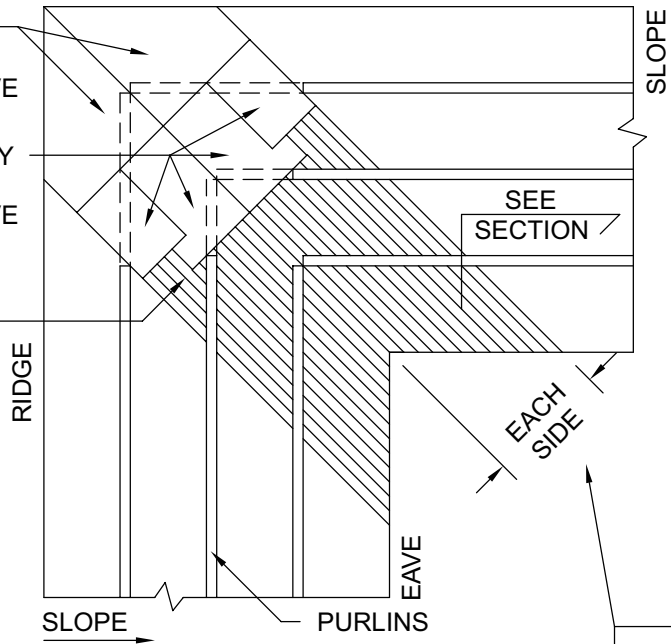
BERRIDGE CORRUGATED S-DECK



GRACE ICE AND  
WATER SHIELD  
RUN RIDGE TO EAVE

FLAT SHEET VALLEY  
SUB-FLASHING  
RUN RIDGE TO EAVE

BERRIDGE  
CORRUGATED  
S-DECK



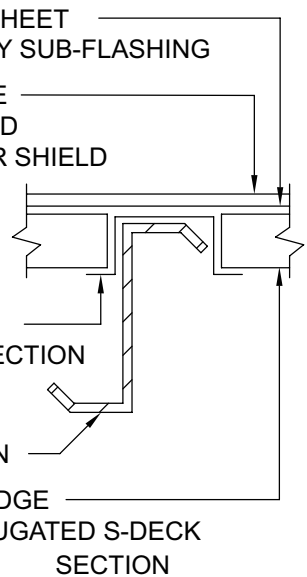
FLAT SHEET  
VALLEY SUB-FLASHING

GRACE  
ICE AND  
WATER SHIELD

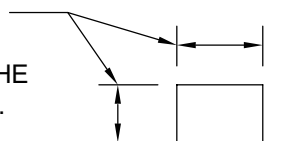
16 GA.  
HAT SECTION

PURLIN

BERRIDGE  
CORRUGATED S-DECK  
SECTION



16 GA. HAT SECTION SIZED TO  
FIT OVER PURLIN AND TO  
ACCOMMODATE THE DEPTH OF THE  
BERRIDGE CORRUGATED S-DECK.



ROOFS WITH A SLOPE OF 4:12  
OR LESS 6'-0" MIN.  
ROOFS ABOVE 4:12 3'-0" MIN.



**BERRIDGE**  
MANUFACTURING  
COMPANY

*Roofs of Distinction*

## VALLEY DETAIL OPEN FRAMING

### Deep-Deck Panel

DATE: 12-05-02

PAGE/FILE  
DD-71

ROOF PIPE PENETRATION OF  
4" IN DIA. OR LESS

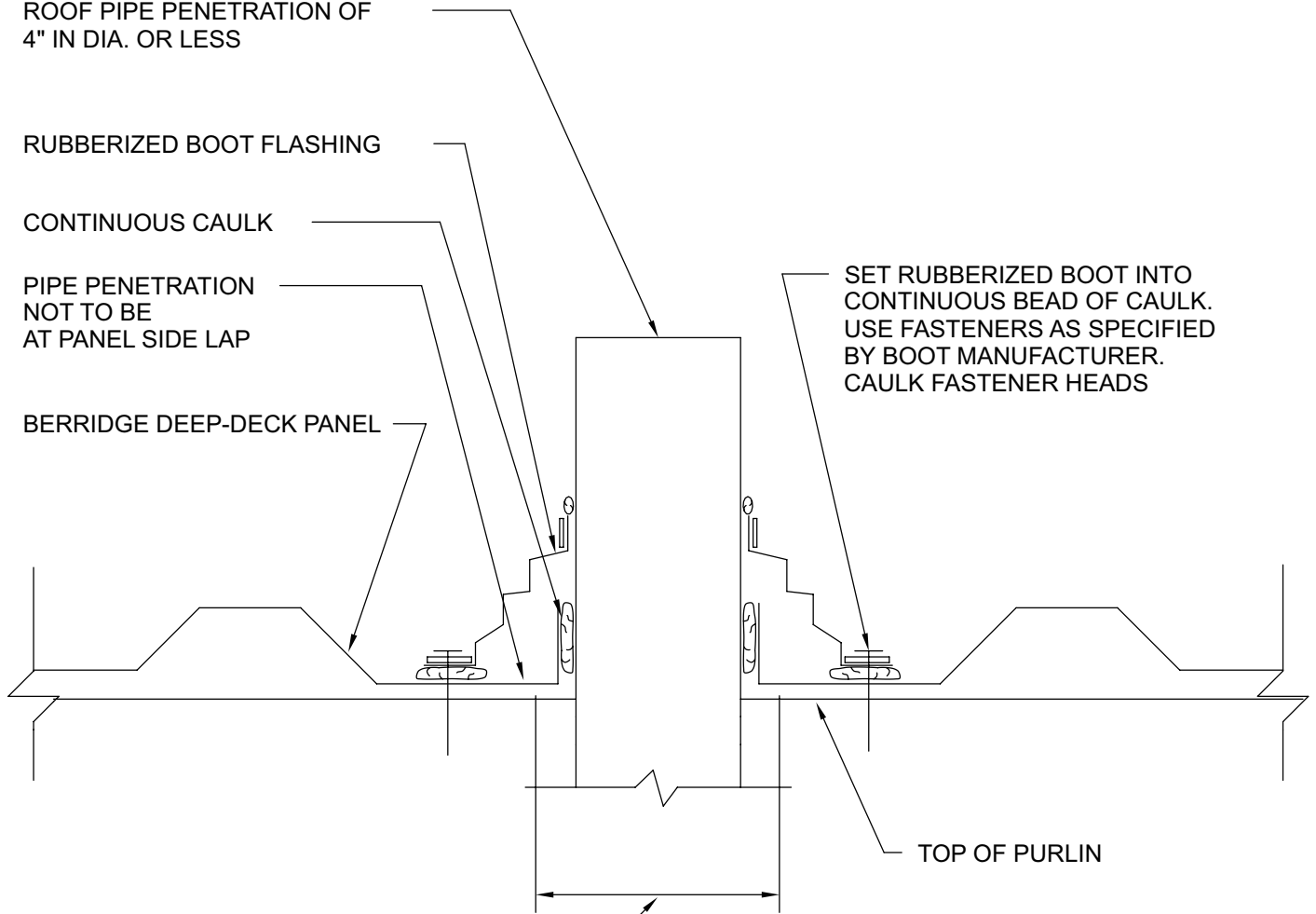
RUBBERIZED BOOT FLASHING

CONTINUOUS CAULK

PIPE PENETRATION  
NOT TO BE  
AT PANEL SIDE LAP

BERRIDGE DEEP-DECK PANEL

SET RUBBERIZED BOOT INTO  
CONTINUOUS BEAD OF CAULK.  
USE FASTENERS AS SPECIFIED  
BY BOOT MANUFACTURER.  
CAULK FASTENER HEADS



CUT PANEL 1" SMALLER THAN  
PENETRATION, BACK CUT TABS,  
FOLD TABS UP AROUND  
PENETRATION, AND CAULK.

NOTE: IF PIPE IS MADE OF METAL,  
IT MUST BE PAINTED TO PREVENT RUST  
RUN-OFF FROM STAINING PANELS.

NOTE: POSITION SQUARE BASED BOOTS IN A DIAMOND  
ORIENTATION WHERE POSSIBLE TO AID IN DIVERTING WATER.



**BERRIDGE  
MANUFACTURING  
COMPANY**

**PIPE PENETRATION**  
(PREFERRED METHOD)  
IN PAN OF PANEL ONLY - 4" DIA. OR LESS

**Deep-Deck Panel**

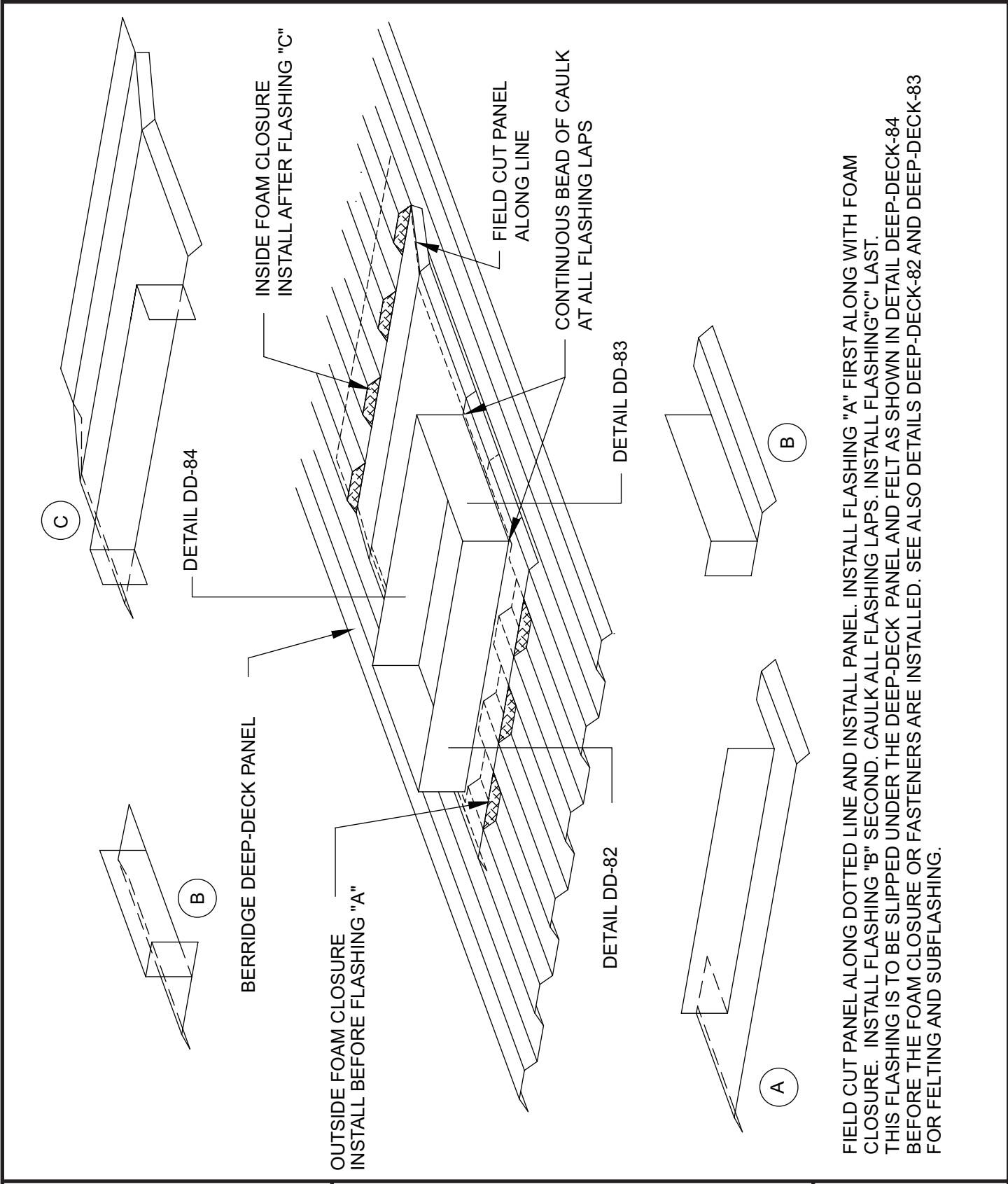
DATE: 12-05-02

PAGE/FILE  
DD-80

**ROOF PENETRATION**

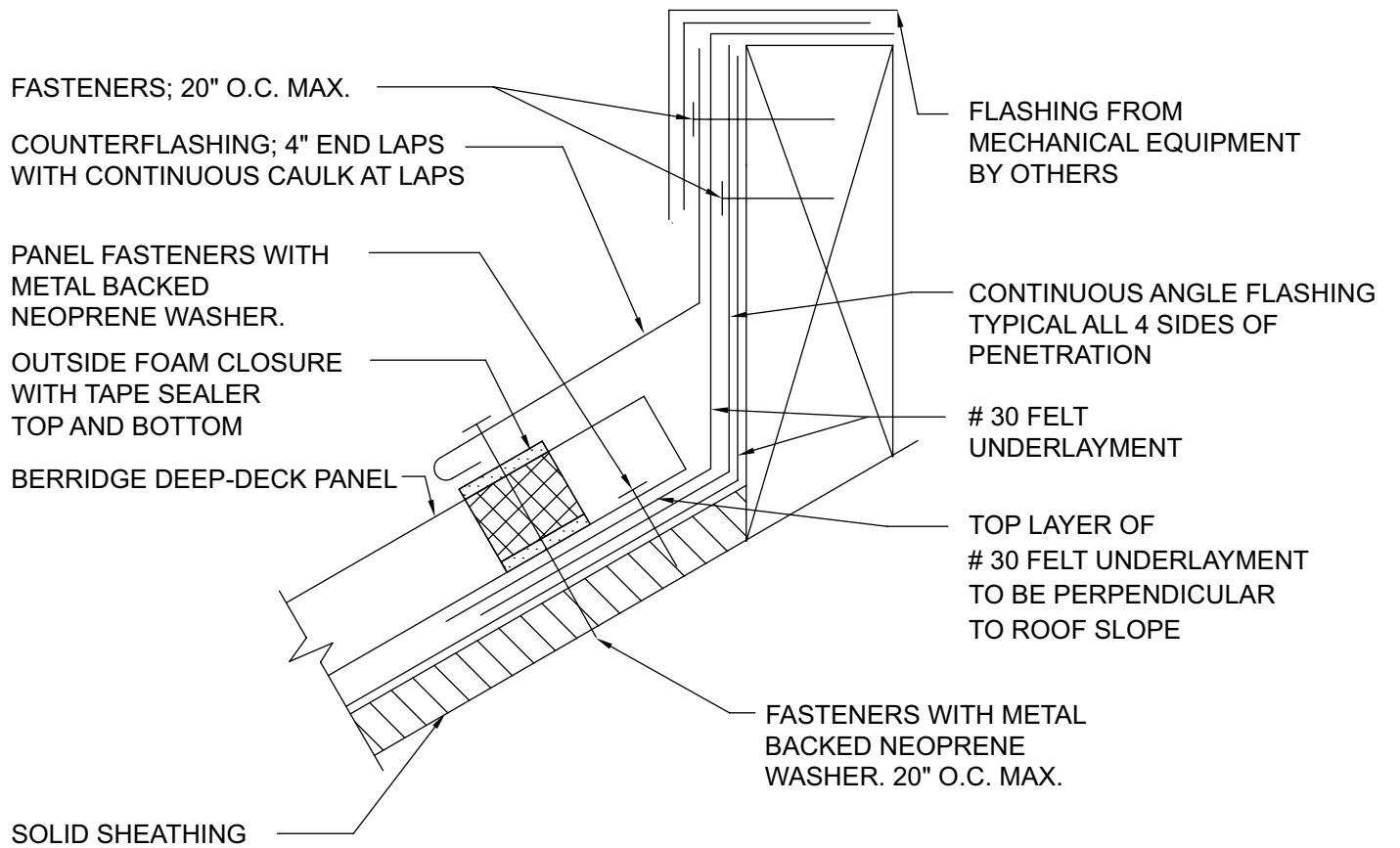
---

**Deep-Deck Panel**



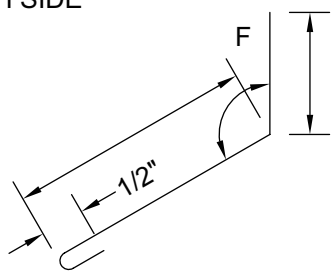
FIELD CUT PANEL ALONG DOTTED LINE AND INSTALL PANEL. INSTALL FLASHING "A" FIRST ALONG WITH FOAM CLOSURE. INSTALL FLASHING "B" SECOND. CAULK ALL FLASHING LAPS. INSTALL FLASHING "C" LAST. THIS FLASHING IS TO BE SLIPPED UNDER THE DEEP-DECK PANEL AND FELT AS SHOWN IN DETAIL DEEP-DECK-84 BEFORE THE FOAM CLOSURE OR FASTENERS ARE INSTALLED. SEE ALSO DETAILS DEEP-DECK-82 AND DEEP-DECK-83 FOR FELTING AND SUBFLASHING.



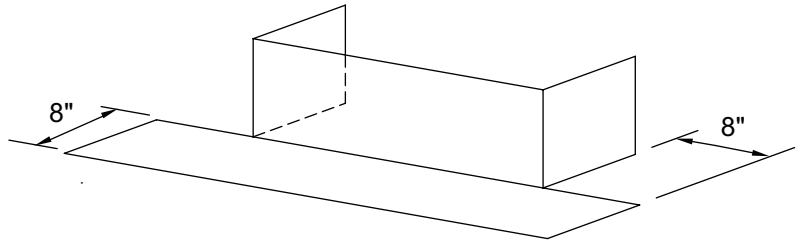


1. SOLID SHEATHING (BY OTHERS) TO BE MINIMUM 1/2" PLYWOOD OR EQUIVALENT IN STRENGTH FOR HOLDING POWER OF FASTENERS.
2. ALL FELT UNDERLAYMENT, CAULKING, AND FASTENERS, ARE ITEMS TO BE FURNISHED AND INSTALLED BY THE ROOFING INSTALLER AT THE DISCRETION OF THE ARCHITECT.

F = FINISH SIDE



COUNTER FLASHING  
SIDE A



ANGLE FLASHING



**BERRIDGE  
MANUFACTURING  
COMPANY**

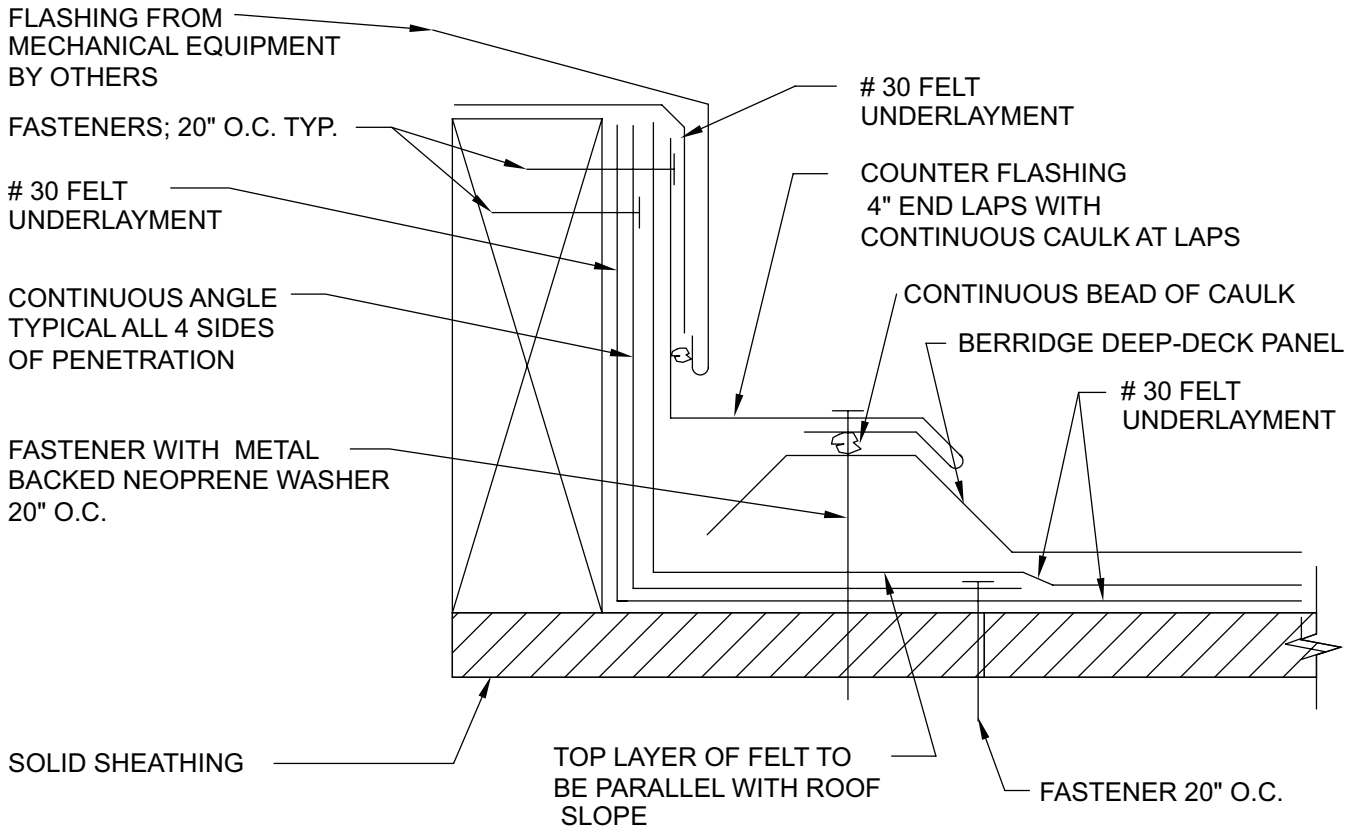
*Roofs of Distinction*

**ROOF PENETRATION  
SIDE A**

**Deep-Deck Panel**

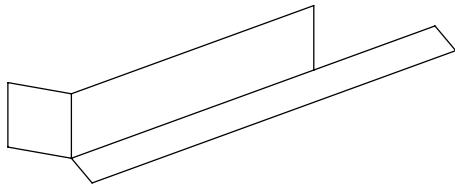
DATE: 12-05-02

PAGE/FILE  
DD-82

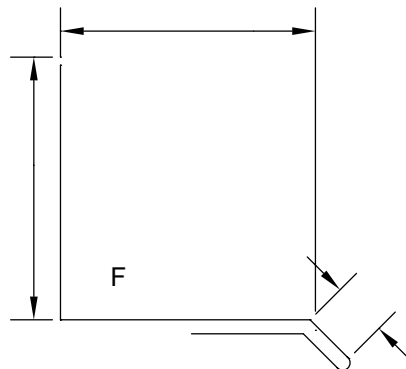


1. SOLID SHEATHING (BY OTHERS) TO BE MINIMUM 1/2" PLYWOOD OR EQUIVALENT IN STRENGTH FOR HOLDING POWER OF FASTENERS.
2. ALL FELT UNDERLAYMENT, CAULKING, AND FASTENERS, ARE ITEMS TO BE FURNISHED AND INSTALLED BY THE ROOFING INSTALLER AT THE DISCRETION OF THE ARCHITECT.

F = FINISH SIDE



ANGLE FLASHING  
SIDE B



COUNTER FLASHING



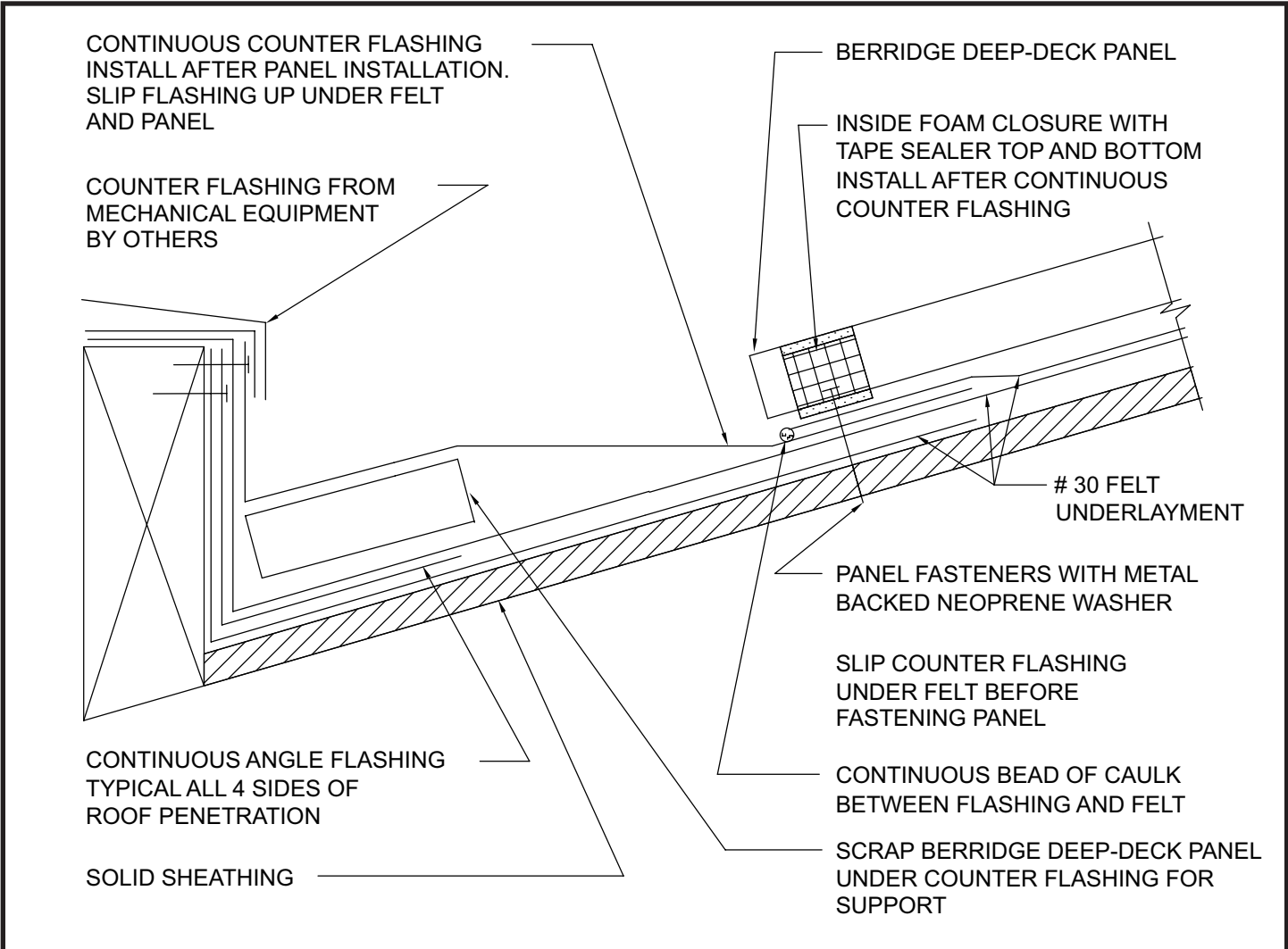
**BERRIDGE**  
BERRIDGE  
MANUFACTURING  
COMPANY

**ROOF PENETRATION  
SIDE B**

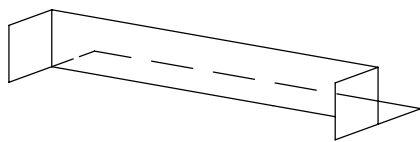
**Deep-Deck Panel**

DATE: 12-05-02

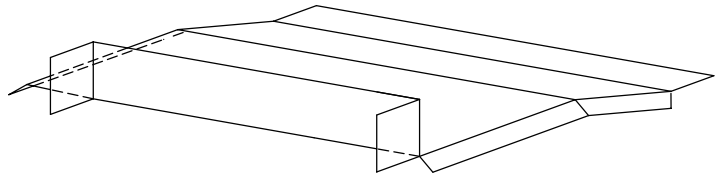
PAGE/FILE  
DD-83



1. SOLID SHEATHING (BY OTHERS) TO BE MINIMUM 1/2" PLYWOOD OR EQUIVALENT IN STRENGTH FOR HOLDING POWER OF FASTENERS.
2. ALL FELT UNDERLAYMENT, CAULKING, AND FASTENERS, ARE ITEMS TO BE FURNISHED AND INSTALLED BY THE ROOFING INSTALLER AT THE DISCRETION OF THE ARCHITECT.



ANGLE FLASHING



COUNTER FLASHING  
SIDE C

F = FINISH SIDE



**BERRIDGE  
MANUFACTURING  
COMPANY**

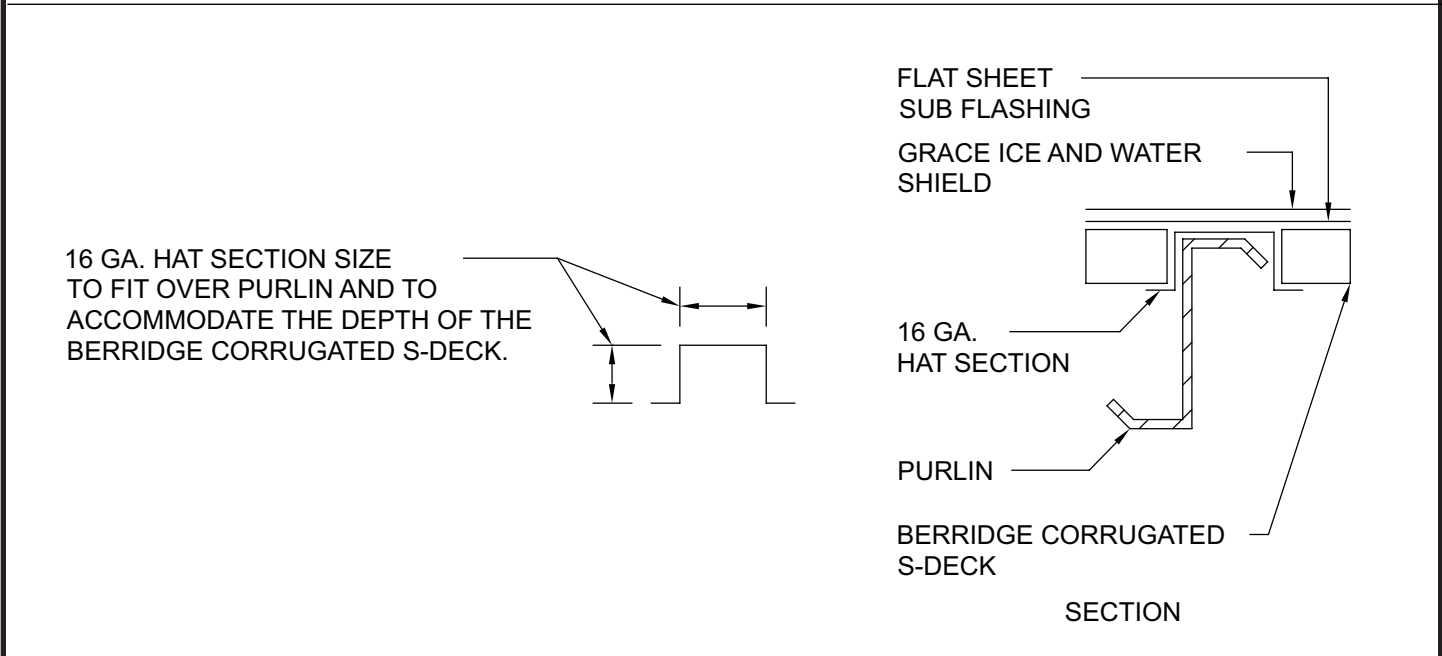
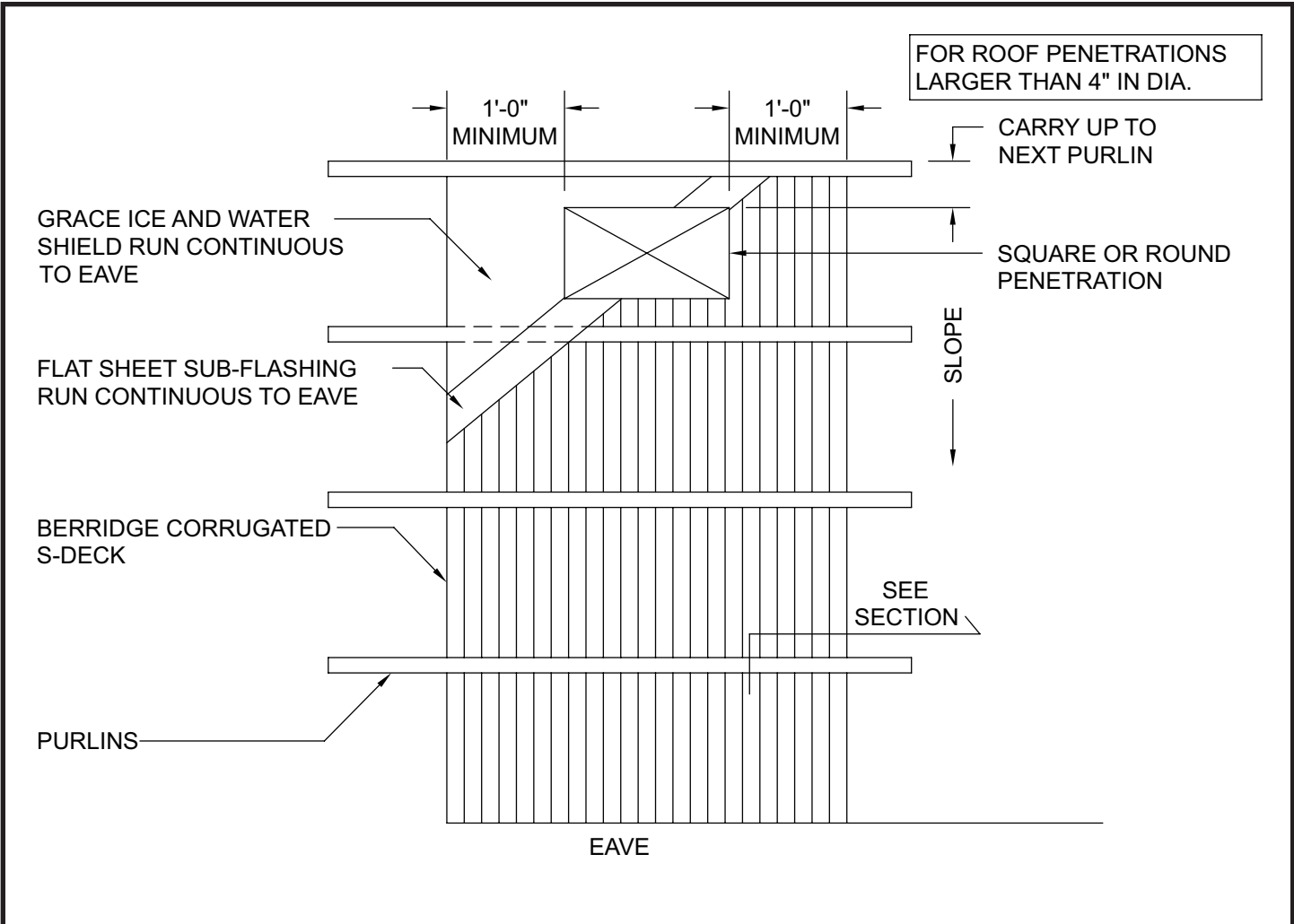
*Roofs of Distinction*

**ROOF PENETRATION  
SIDE C**

**Deep-Deck Panel**

DATE: 12-05-02

PAGE/FILE  
DD-84



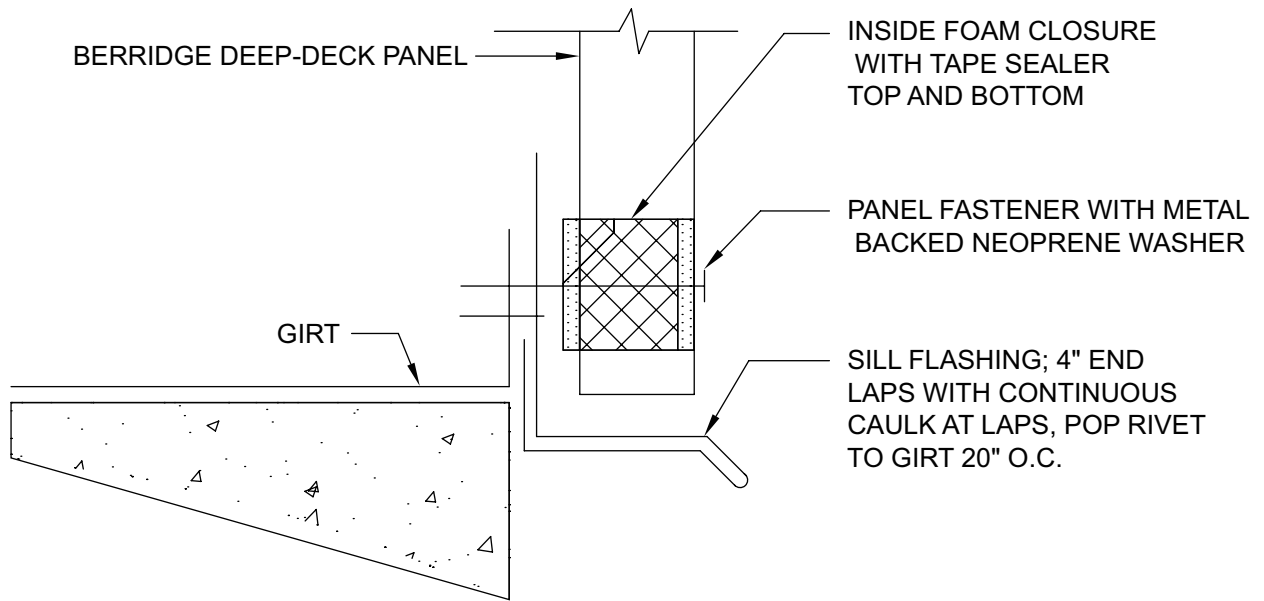
**BERRIDGE**  
**MANUFACTURING**  
**COMPANY**

**PENETRATION**  
**LARGER THAN 4" - OPEN FRAMING**

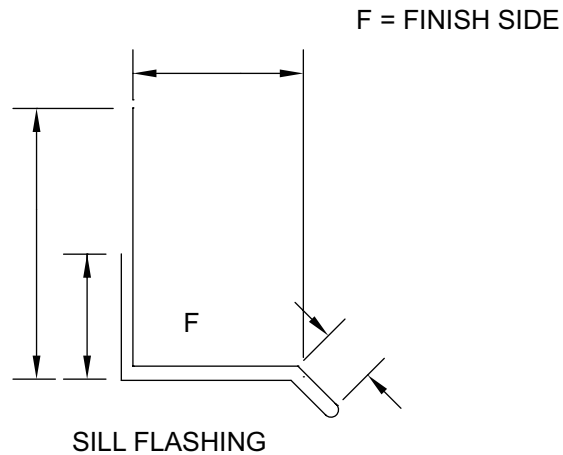
**Deep-Deck Panel**

DATE: 12-05-02

PAGE/FILE  
 DD-85



1. CAULKING AND FASTENERS ARE ITEMS TO BE FURNISHED AND INSTALLED BY THE ROOFING INSTALLER AT THE DISCRETION OF THE ARCHITECT.



**BERRIDGE**  
**MANUFACTURING**  
**COMPANY**

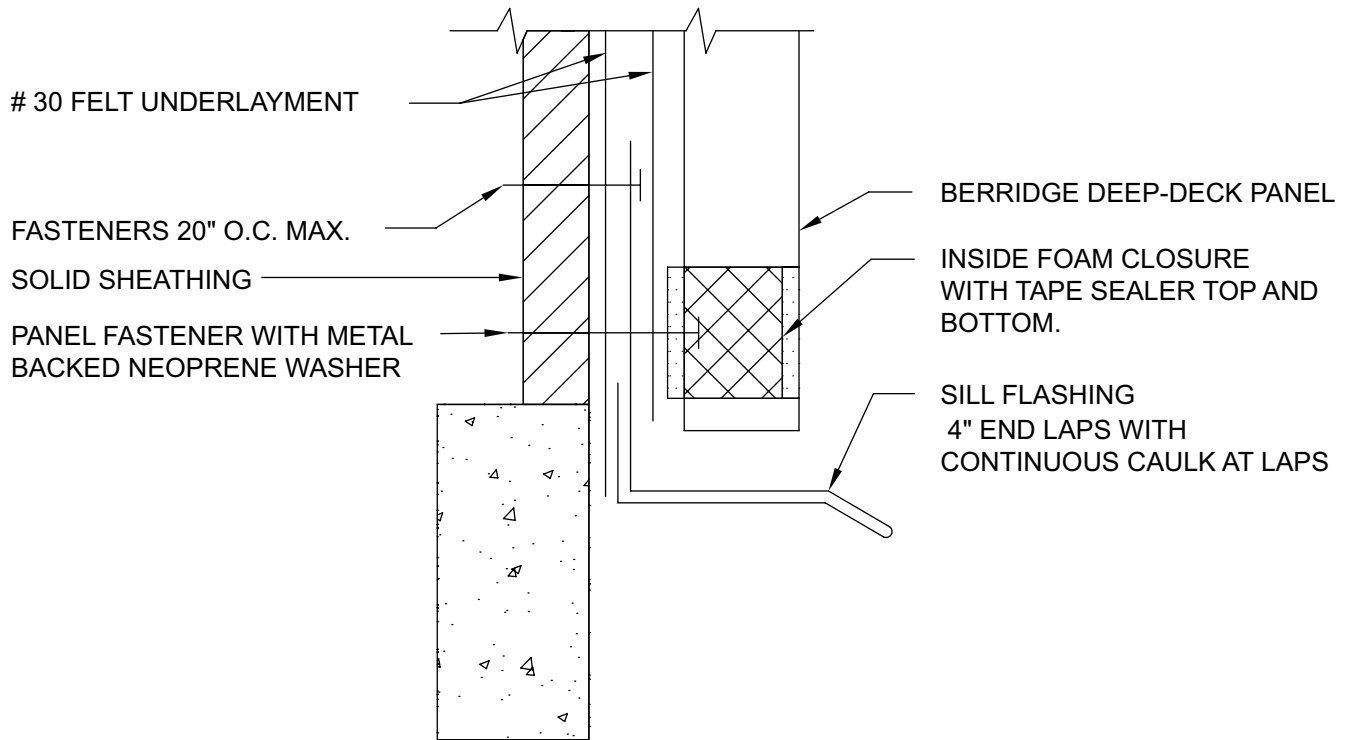
*Roofs of Distinction*

**GRADE DETAIL**  
**OPEN FRAMING**

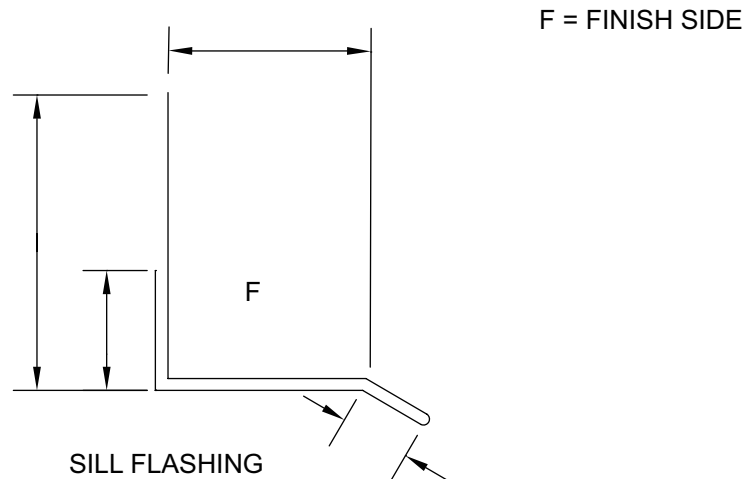
**Deep-Deck Panel**

DATE: 12-05-02

PAGE/FILE  
 DD-100



1. SOLID SHEATHING (BY OTHERS) TO BE MINIMUM 1/2" PLYWOOD OR EQUIVALENT IN STRENGTH FOR HOLDING POWER OF FASTENERS.
2. ALL FELT UNDERLAYMENT, CAULKING, AND FASTENERS, ARE ITEMS TO BE FURNISHED AND INSTALLED BY THE ROOFING INSTALLER AT THE DISCRETION OF THE ARCHITECT.



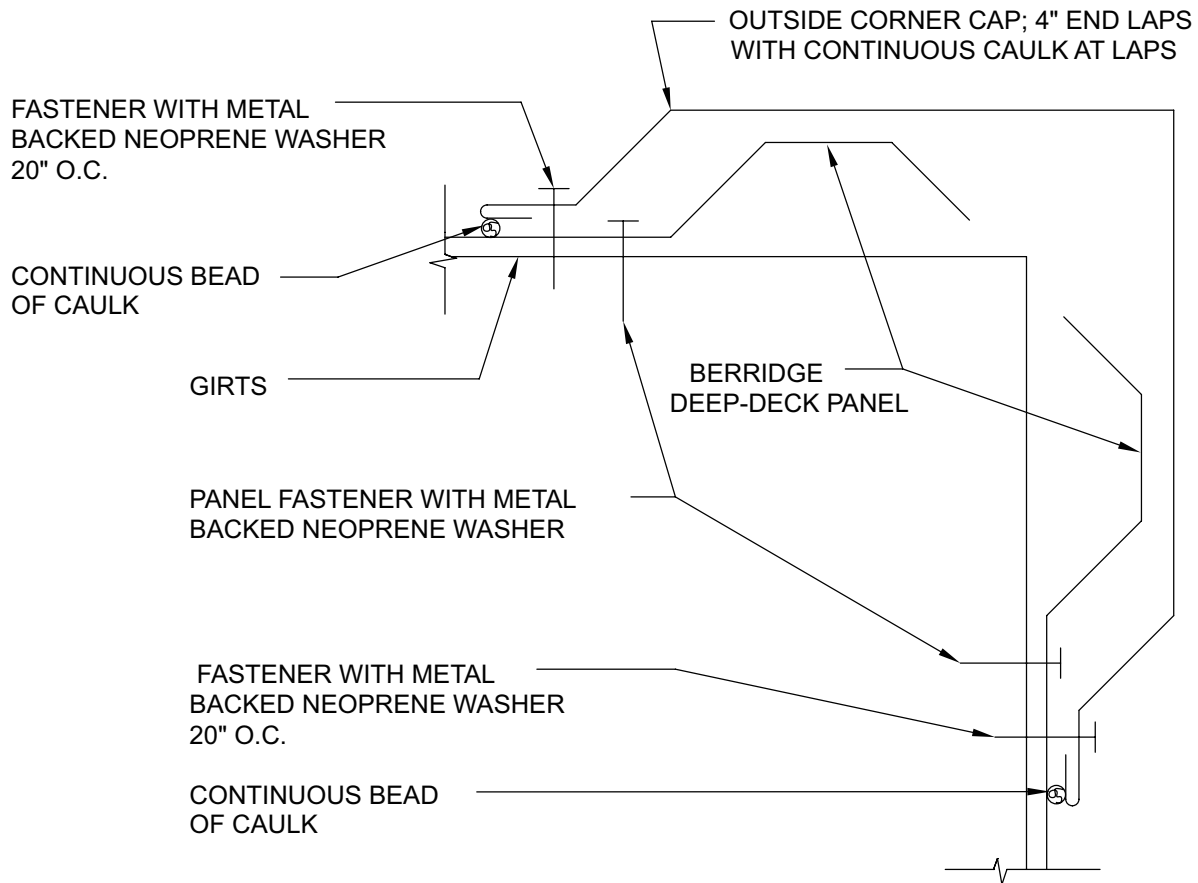
**BERRIDGE**  
**MANUFACTURING**  
**COMPANY**

## GRADE DETAIL

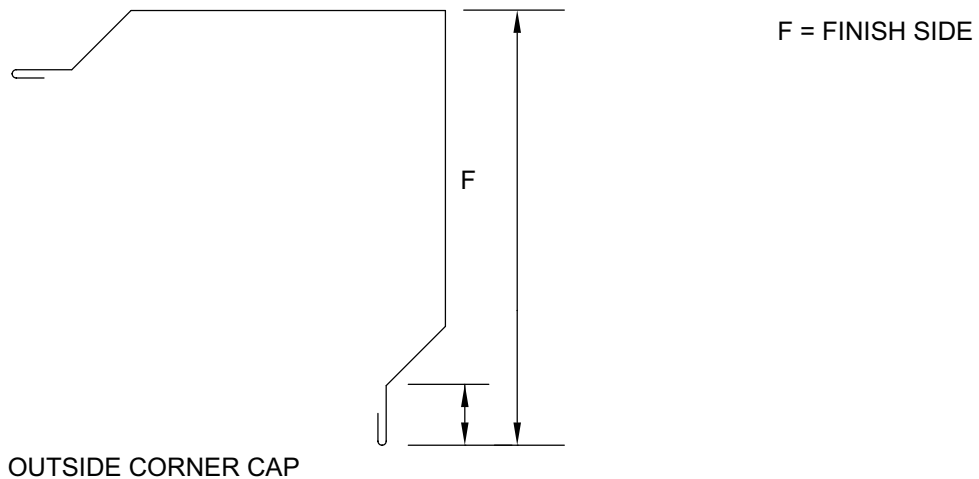
### Deep-Deck Panel

DATE: 12-05-02

PAGE/FILE  
 DD-101



1. CAULKING AND FASTENERS ARE ITEMS TO BE FURNISHED AND INSTALLED BY THE ROOFING INSTALLER AT THE DISCRETION OF THE ARCHITECT.



**BERRIDGE  
MANUFACTURING  
COMPANY**

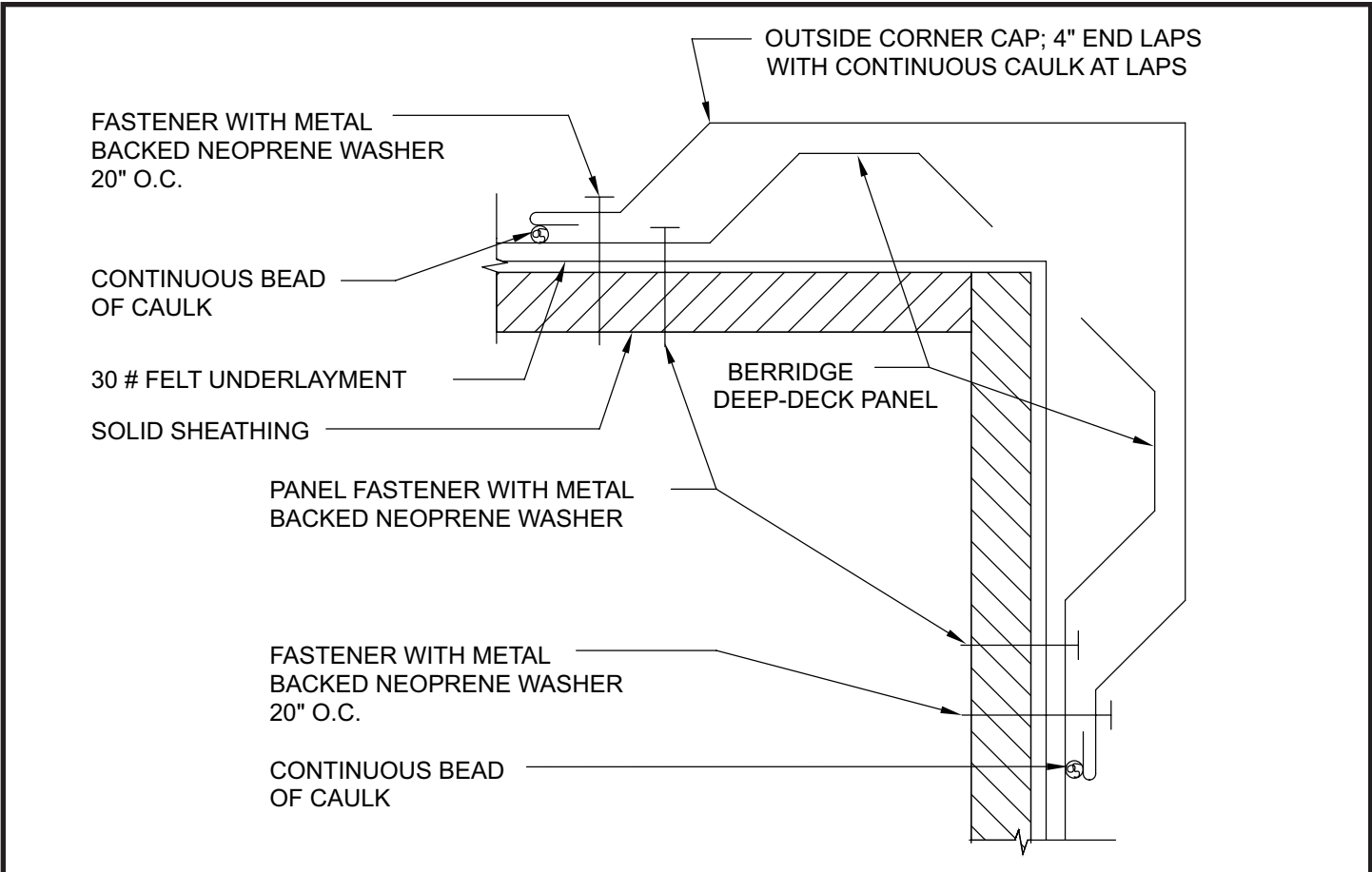
*Roofs of Distinction*

**OUTSIDE CORNER  
OPEN FRAMING**

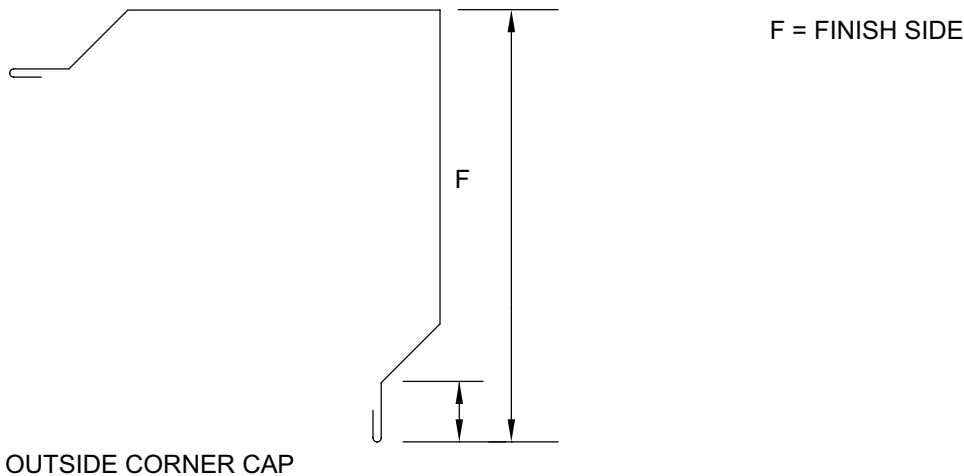
**Deep-Deck Panel**

DATE: 12-05-02

PAGE/FILE  
DD-102



1. SOLID SHEATHING (BY OTHERS) TO BE MINIMUM 1/2" PLYWOOD OR EQUIVALENT IN STRENGTH FOR HOLDING POWER OF FASTENERS.
2. ALL FELT UNDERLAYMENT, CAULKING AND FASTENERS ARE ITEMS TO BE FURNISHED AND INSTALLED BY THE ROOFING INSTALLER AT THE DISCRETION OF THE ARCHITECT.



**BERRIDGE  
MANUFACTURING  
COMPANY**

*Roofs of Distinction*

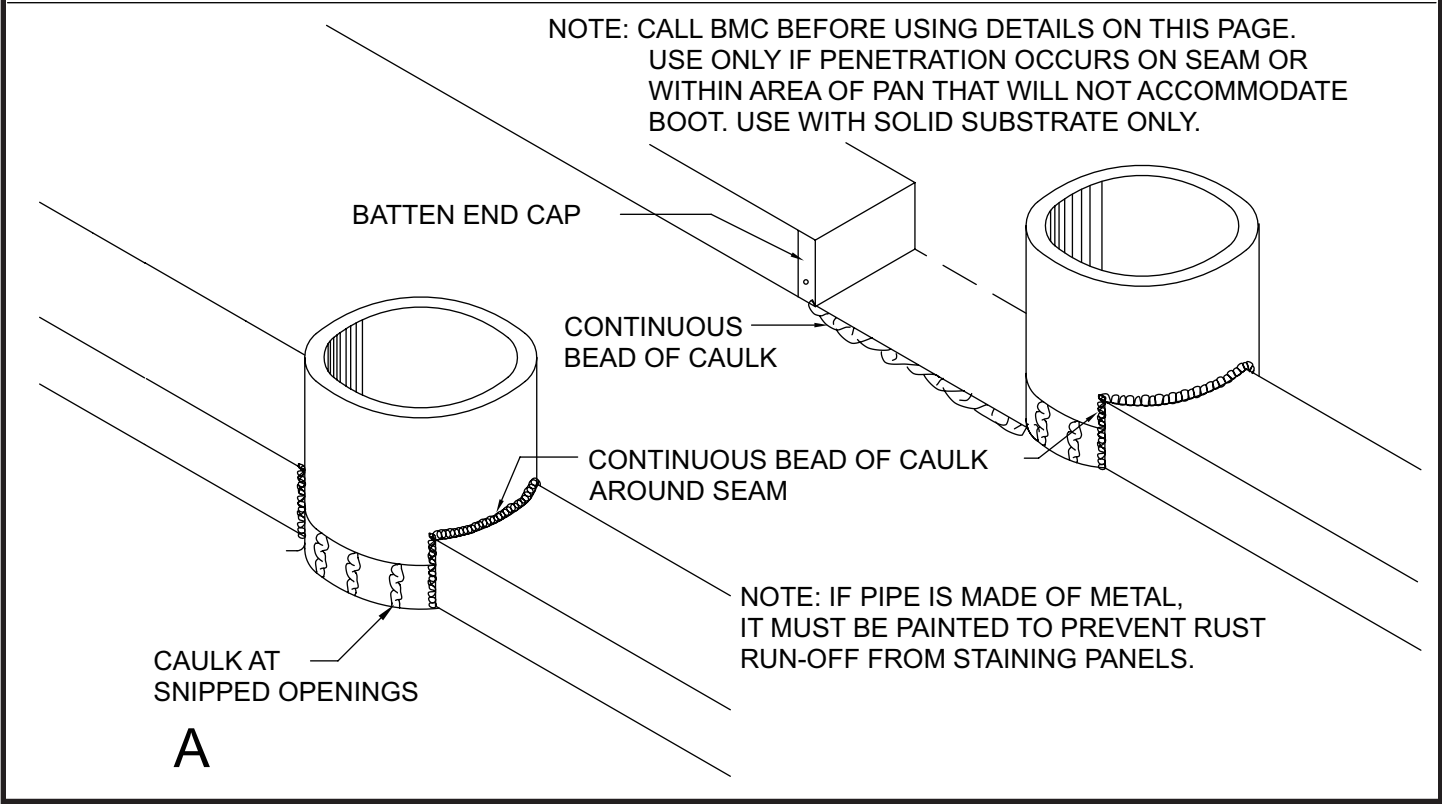
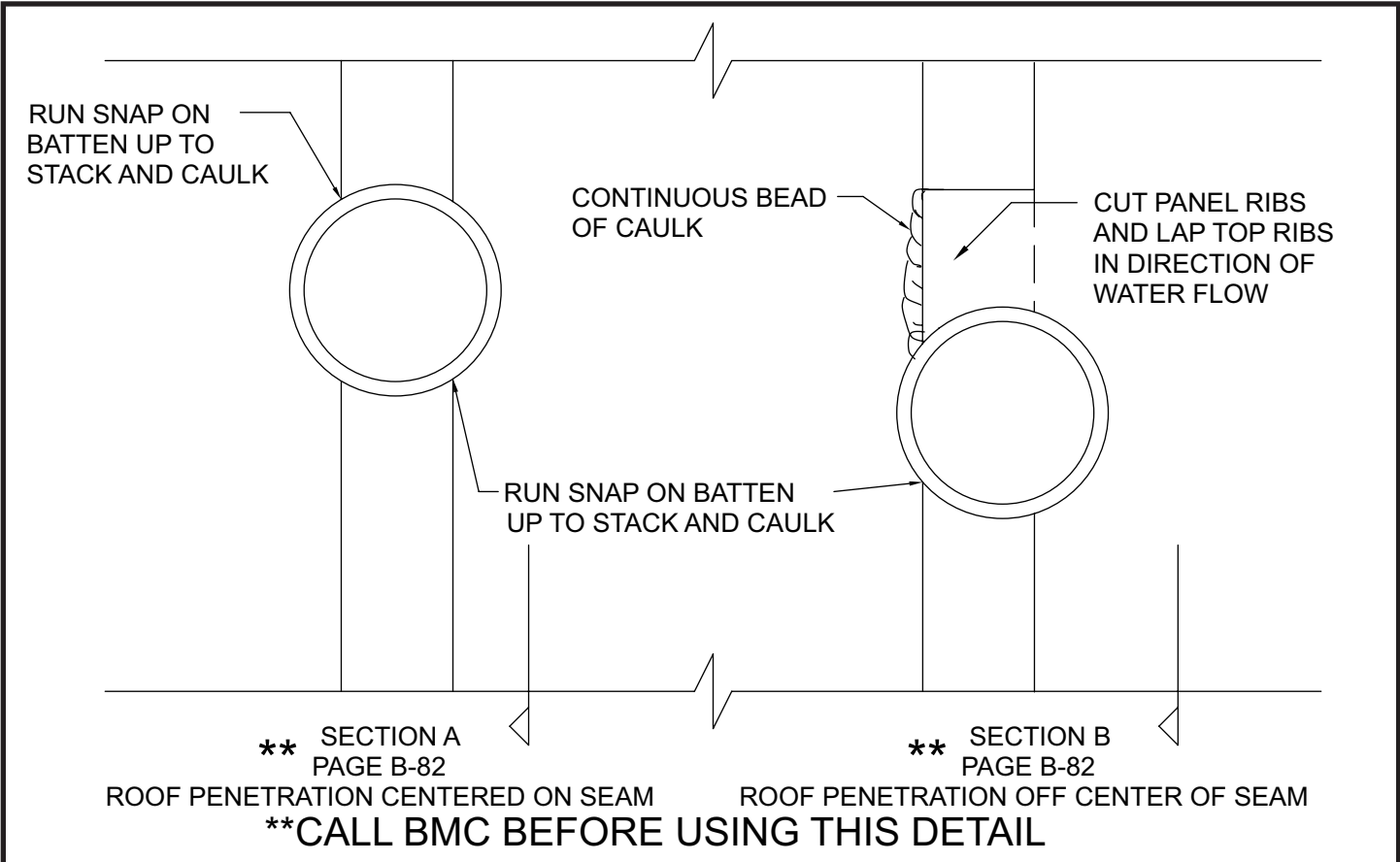
**OUTSIDE CORNER**


**Deep-Deck Panel**

DATE: 12-05-02

PAGE/FILE  
DD-103





 <p><b>BERRIDGE</b> MANUFACTURING COMPANY</p> <p><i>Roofs of Distinction</i></p>	<p><b>INSIDE CORNER OPEN FRAMING</b></p>	<p>DATE: 12-05-02</p>
	<p><b>Deep-Deck Panel</b></p>	<p>PAGE/FILE DD-104</p>

FASTENER WITH METAL BACKED NEOPRENE WASHER 20" O.C.

INSIDE CORNER CAP; 4" END LAPS WITH CONTINUOUS CAULK AT LAPS

PANEL FASTENER WITH METAL BACKED NEOPRENE WASHER

BERRIDGE DEEP-DECK PANEL

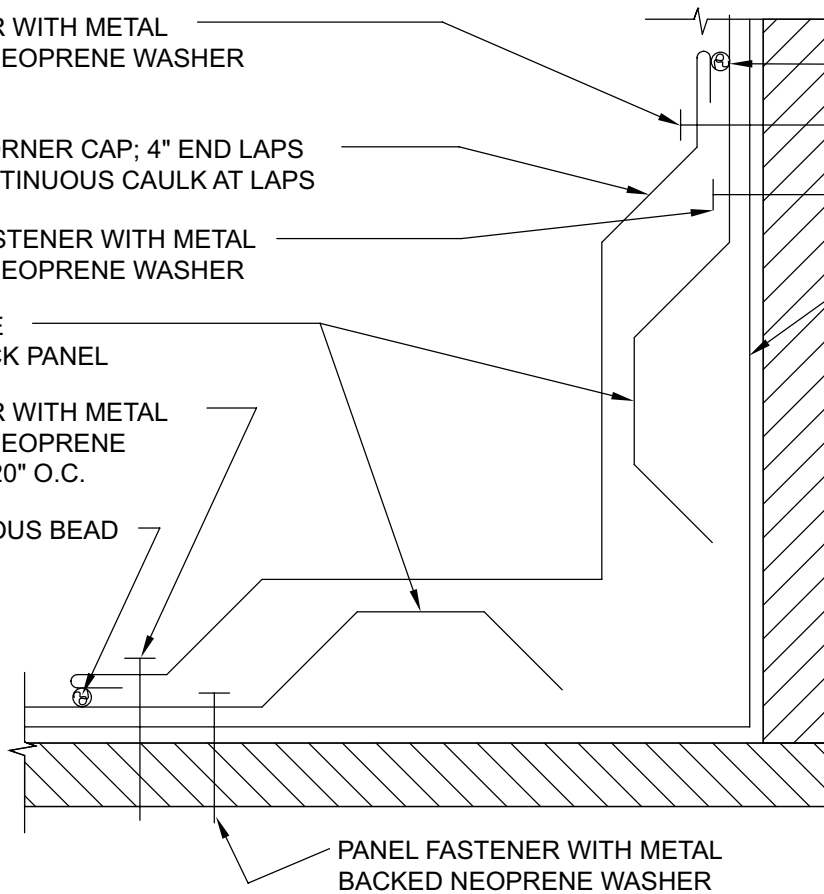
FASTENER WITH METAL BACKED NEOPRENE WASHER 20" O.C.

CONTINUOUS BEAD OF CAULK

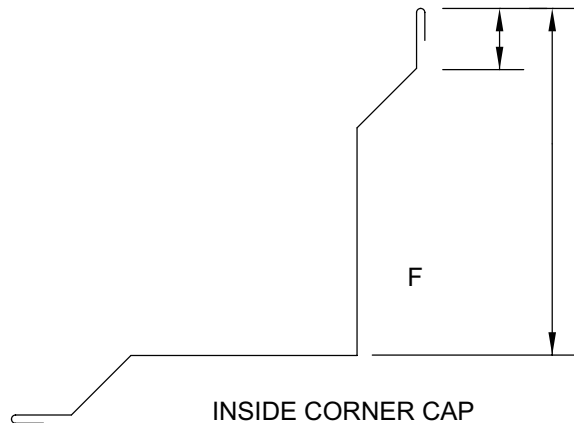
CONTINUOUS BEAD OF CAULK

30 # FELT UNDERLAYMENT

SOLID SHEATHING



1. SOLID SHEATHING (BY OTHERS) TO BE MINIMUM 1/2" PLYWOOD OR EQUIVALENT IN STRENGTH FOR HOLDING POWER OF FASTENERS.
2. ALL FELT UNDERLAYMENT, CAULKING AND FASTENERS ARE ITEMS TO BE FURNISHED AND INSTALLED BY THE ROOFING INSTALLER AT THE DISCRETION OF THE ARCHITECT.



F = FINISH SIDE

INSIDE CORNER CAP



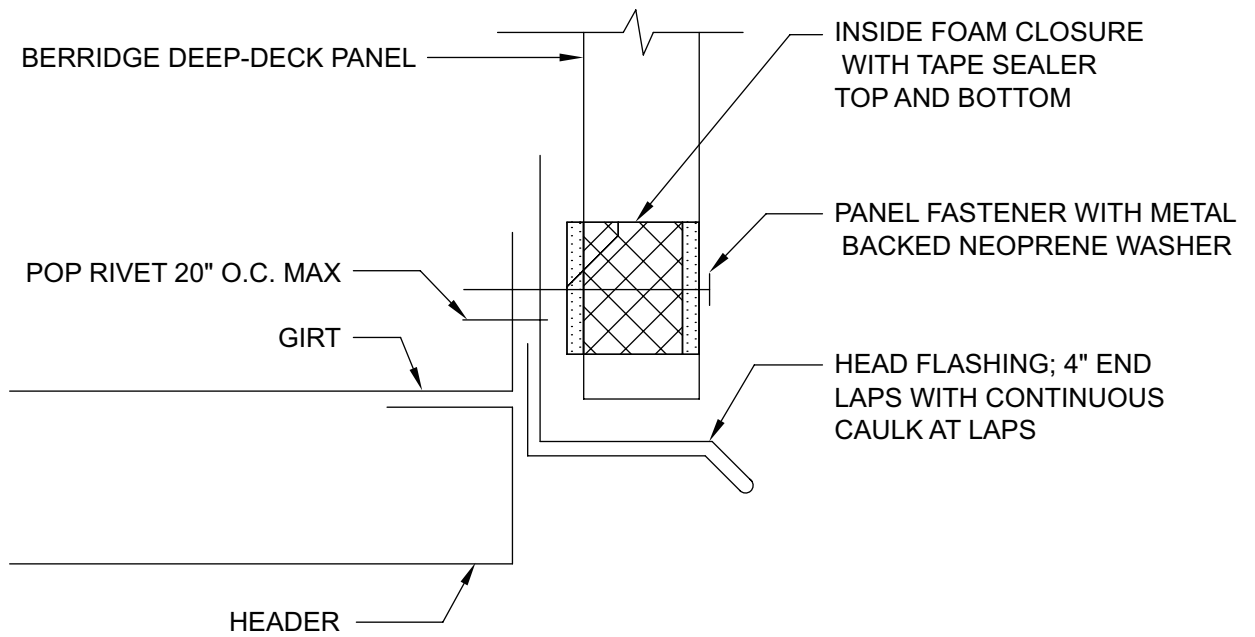
**BERRIDGE**  
MANUFACTURING  
COMPANY

**INSIDE CORNER**

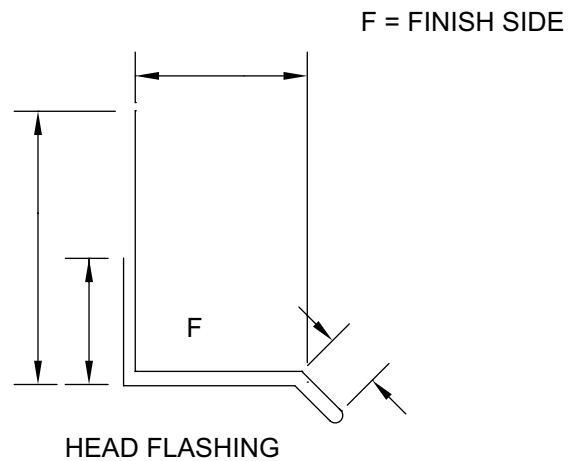
**Deep-Deck Panel**

DATE: 12-05-02

PAGE/FILE  
DD-105



1. CAULKING AND FASTENERS ARE ITEMS TO BE FURNISHED AND INSTALLED BY THE ROOFING INSTALLER AT THE DISCRETION OF THE ARCHITECT.



**BERRIDGE**  
**MANUFACTURING**  
**COMPANY**

*Roofs of Distinction*

**HEAD DETAIL**  
**OPEN FRAMING**

**Deep-Deck Panel**

DATE: 12-05-02

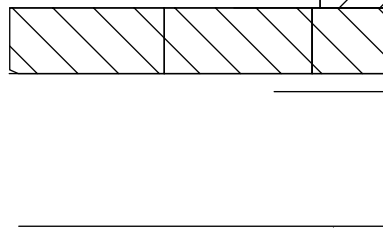
PAGE/FILE  
 DD-106

# 30 FELT UNDERLAYMENT

FASTENERS 20" O.C. MAX.

SOLID SHEATHING

PANEL FASTENER WITH METAL BACKED NEOPRENE WASHER



HEADER

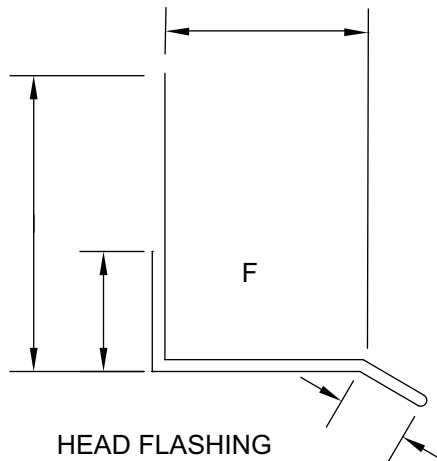
BERRIDGE DEEP-DECK PANEL

INSIDE FOAM CLOSURE WITH TAPE SEALER TOP AND BOTTOM.

HEAD FLASHING  
4" END LAPS WITH CONTINUOUS CAULK AT LAPS

1. SOLID SHEATHING (BY OTHERS) TO BE MINIMUM 1/2" PLYWOOD OR EQUIVALENT IN STRENGTH FOR HOLDING POWER OF FASTENERS.
2. ALL FELT UNDERLAYMENT, CAULKING, AND FASTENERS, ARE ITEMS TO BE FURNISHED AND INSTALLED BY THE ROOFING INSTALLER AT THE DISCRETION OF THE ARCHITECT.

F = FINISH SIDE



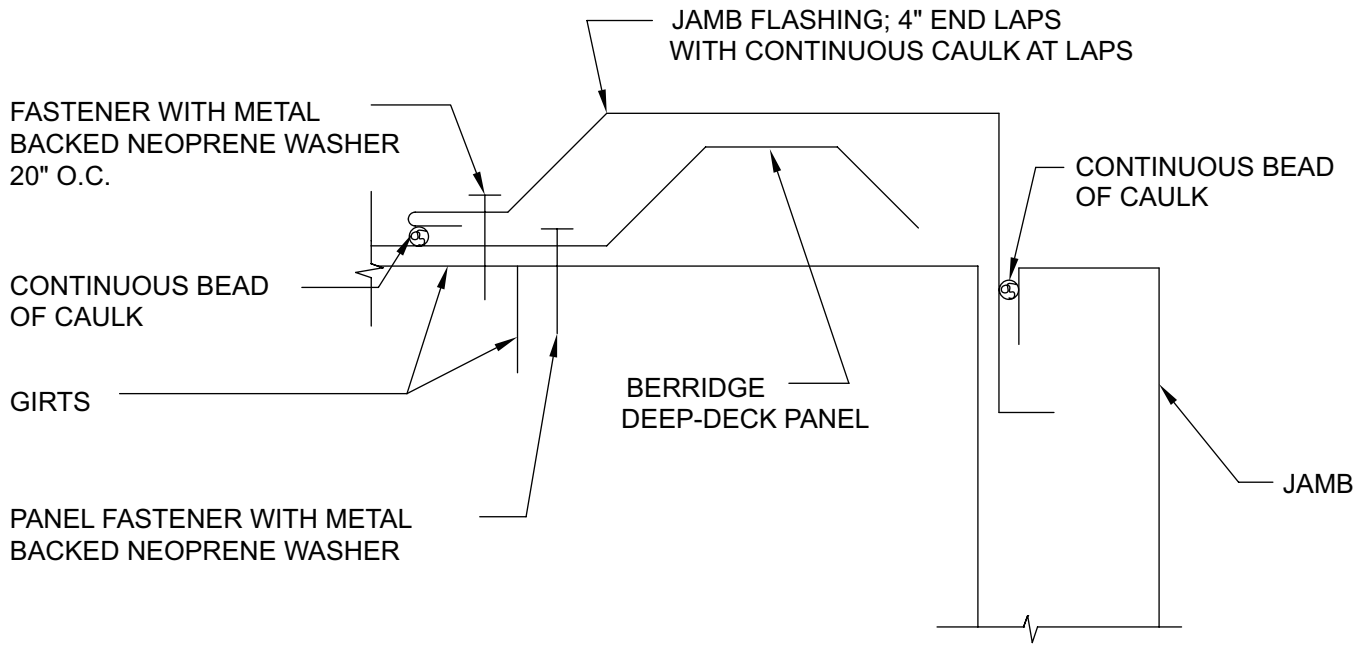
**BERRIDGE**  
BERRIDGE  
MANUFACTURING  
COMPANY

## HEAD DETAIL

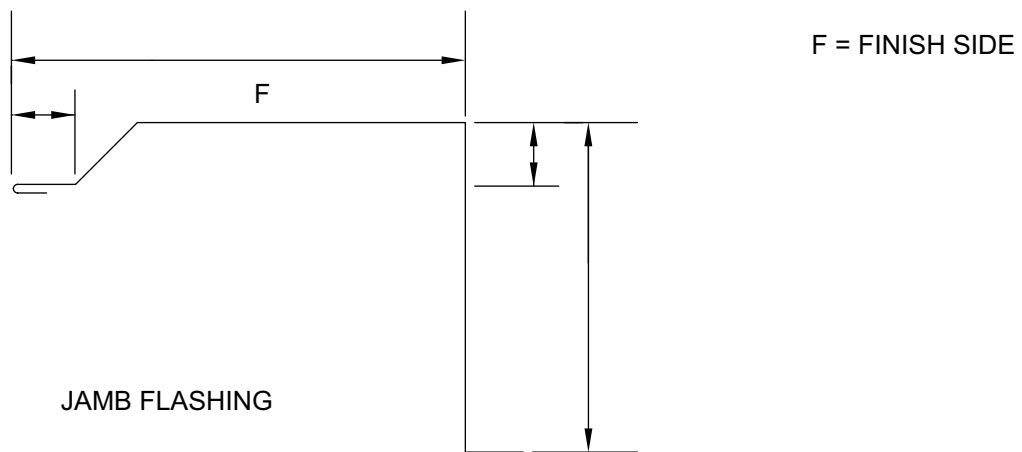
### Deep-Deck Panel

DATE: 12-05-02

PAGE/FILE  
DD-107



1. CAULKING AND FASTENERS ARE ITEMS TO BE FURNISHED AND INSTALLED BY THE ROOFING INSTALLER AT THE DISCRETION OF THE ARCHITECT.



**BERRIDGE**  
**MANUFACTURING**  
**COMPANY**

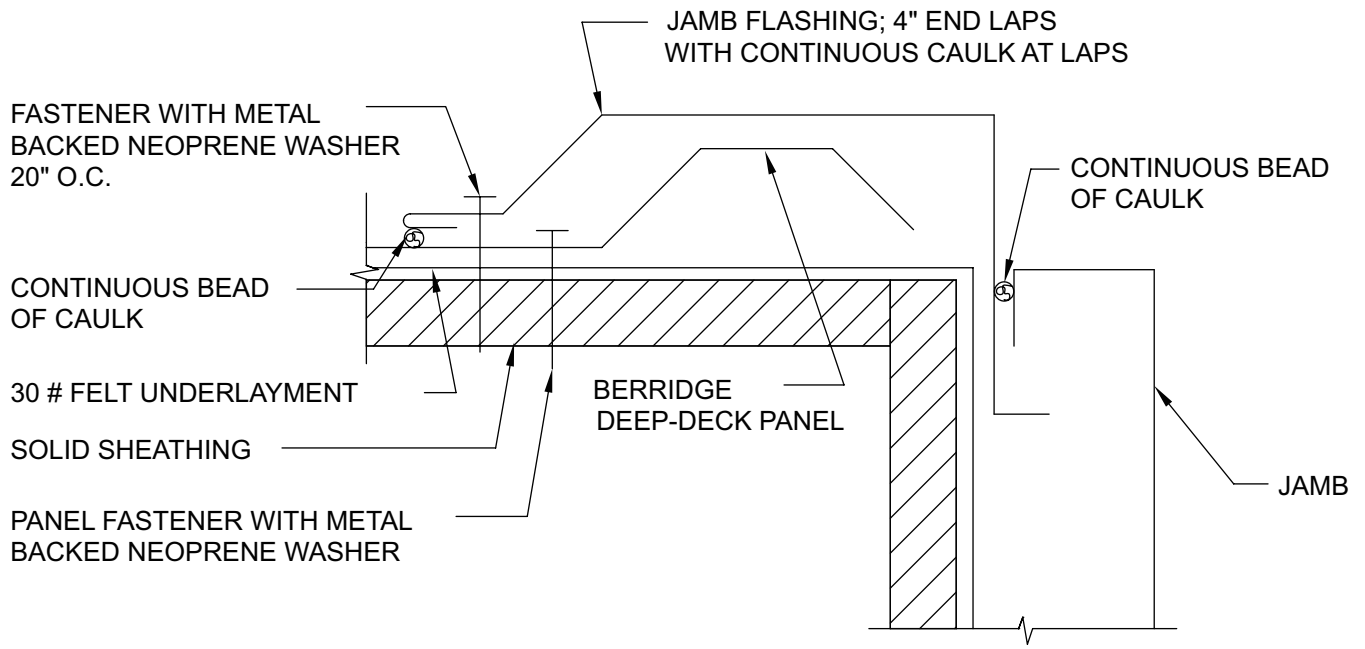
*Roofs of Distinction*

**JAMB DETAIL**  
**OPEN FRAMING**

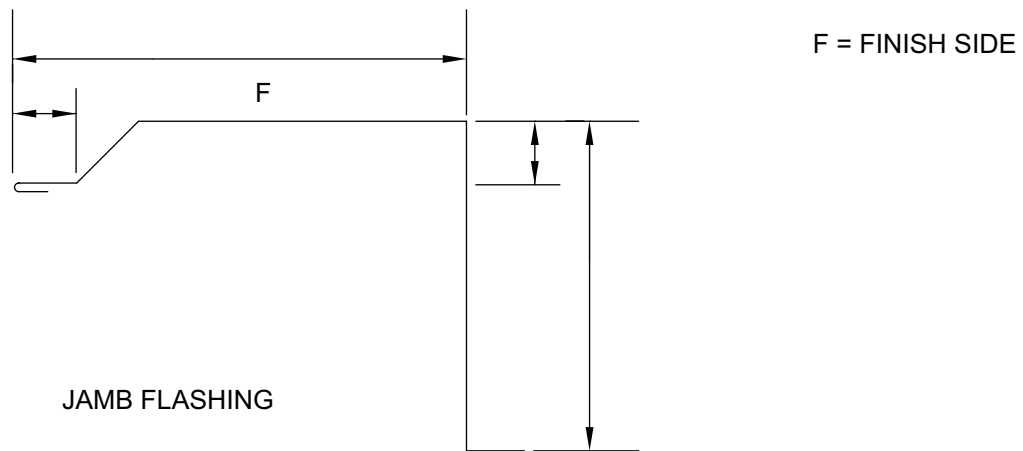
**Deep-Deck Panel**

DATE: 12-05-02

PAGE/FILE  
 DD-108



1. SOLID SHEATHING (BY OTHERS) TO BE MINIMUM 1/2" PLYWOOD OR EQUIVALENT IN STRENGTH FOR HOLDING POWER OF FASTENERS.
2. ALL FELT UNDERLAYMENT, CAULKING AND FASTENERS ARE ITEMS TO BE FURNISHED AND INSTALLED BY THE ROOFING INSTALLER AT THE DISCRETION OF THE ARCHITECT.



**BERRIDGE  
MANUFACTURING  
COMPANY**

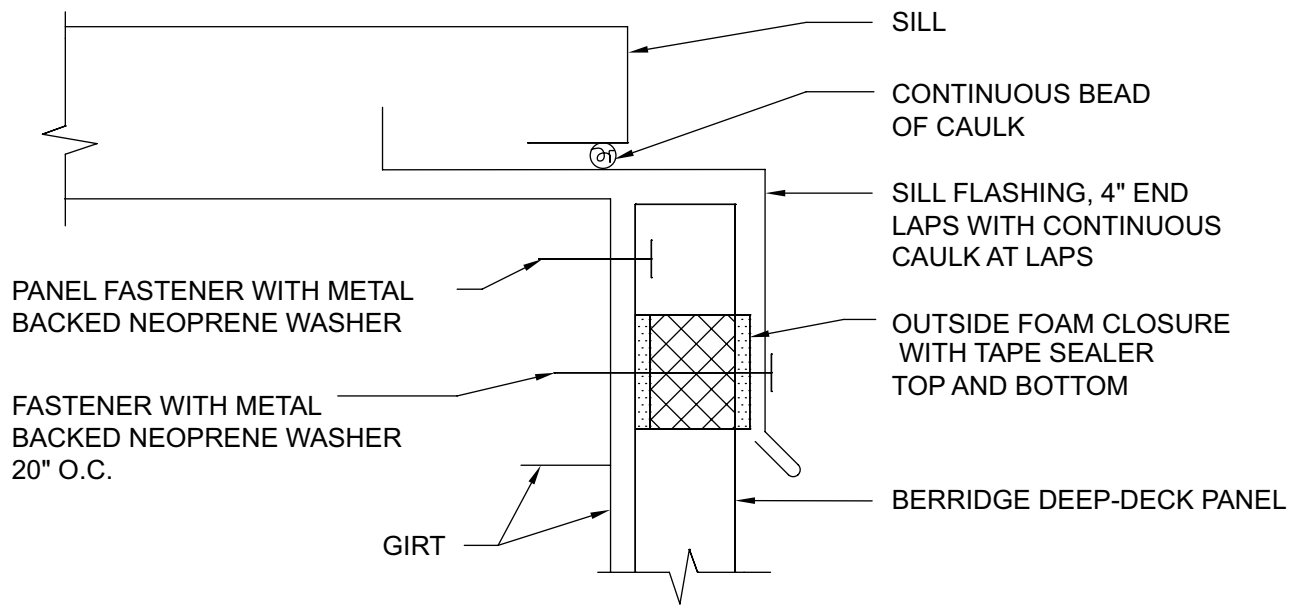
*Roofs of Distinction*

## JAMB DETAIL

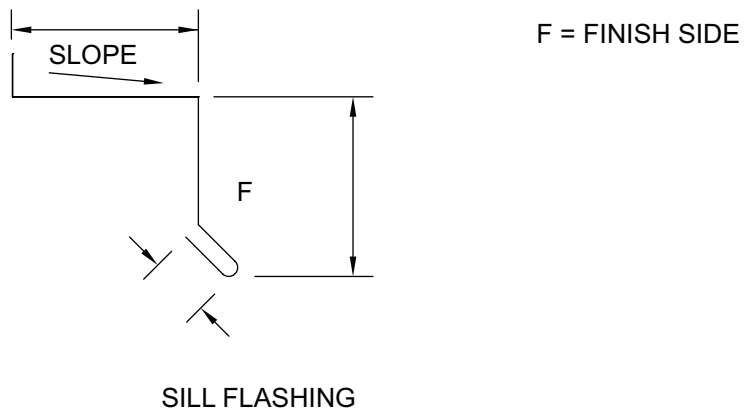
Deep-Deck Panel

DATE: 12-05-02

PAGE/FILE  
DD-109



1. CAULKING AND FASTENERS ARE ITEMS TO BE FURNISHED AND INSTALLED BY THE ROOFING INSTALLER AT THE DISCRETION OF THE ARCHITECT.



**BERRIDGE**  
**MANUFACTURING**  
**COMPANY**

*Roofs of Distinction*

**SILL DETAIL**  
**OPEN FRAMING**

**Deep-Deck Panel**

DATE: 12-05-02

PAGE/FILE  
 DD-110

BERRIDGE DEEP-DECK  
PANEL

INSIDE CORNER FLASHING;  
4" END LAPS WITH  
CONTINUOUS CAULK AT LAPS

OUTSIDE FOAM CLOSURE WITH TAPE  
SEALER TOP AND BOTTOM.

FASTENERS; WITH METAL  
BACKED NOEPRENE WASHER.  
20" O.C.

BERRIDGE  
DEEP-DECK PANEL

SUB-FLASHING; 4"  
END LAPS WITH  
CONTINUOUS CAULK AT LAPS

SOLID SHEATHING

# 30 FELT UNDERLAYMENT

FASTENERS; WITH METAL  
BACKED NOEPRENE WASHER.  
20" O.C.

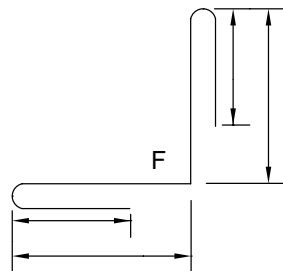
PANEL FASTENERS;  
WITH METAL BACKED  
NOEPRENE WASHER

PANEL FASTENERS;  
WITH METAL BACKED  
NOEPRENE WASHER

1. SOLID SHEATHING (BY OTHERS) TO BE MINIMUM 1/2" PLYWOOD OR EQUIVALENT IN  
STRENGTH FOR HOLDING POWER OF FASTENERS.

2. ALL FELT UNDERLAYMENT, CAULKING, AND FASTENERS, ARE ITEMS TO BE FURNISHED  
AND INSTALLED BY THE ROOFING INSTALLER AT THE DISCRETION OF THE ARCHITECT.

F = FINISH SIDE



CORNER FLASHING



**BERRIDGE**  
MANUFACTURING  
COMPANY

**INSIDE CORNER  
SOLID SHEATHING**

**Deep-Deck Panel**

DATE: 12-05-02

PAGE/FILE  
DD-111



OUTSIDE CORNER FLASHING; 4" END LAPS WITH CONTINUOUS CAULK AT LAPS.

PANEL FASTENERS; WITH METAL BACKED NEOPRENE WASHER.

FASTENERS; WITH METAL BACKED NEOPRENE WASHER. 20" O.C.

BERRIDGE DEEP-DECK PANEL

# 30 FELT UNDERLAYMENT

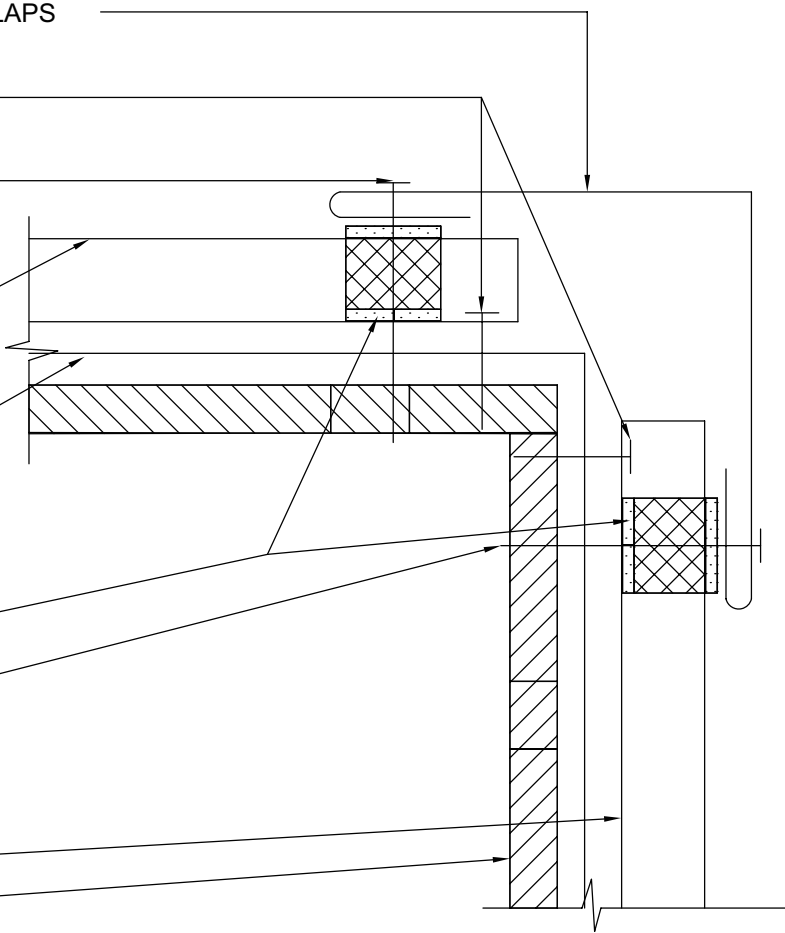
OUTSIDE FOAM CLOSURE WITH TAPE SEALER TOP AND BOTTOM.

FASTENERS; WITH METAL BACKED NEOPRENE WASHER. 20" O.C.

FASTENERS; 20" O.C. MAX.

BERRIDGE DEEP-DECK PANEL

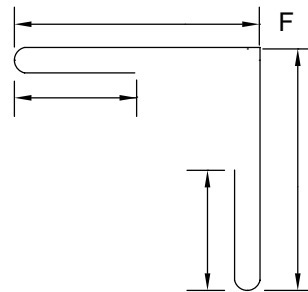
SOLID SHEATHING



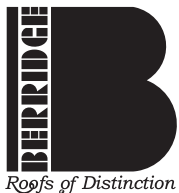
1. SOLID SHEATHING (BY OTHERS) TO BE MINIMUM 1/2" PLYWOOD OR EQUIVALENT IN STRENGTH FOR HOLDING POWER OF FASTENERS.

2. ALL FELT UNDERLAYMENT, CAULKING, AND FASTENERS, ARE ITEMS TO BE FURNISHED AND INSTALLED BY THE ROOFING INSTALLER AT THE DISCRETION OF THE ARCHITECT.

F = FINISH SIDE



OUTSIDE CORNER FLASHING



**BERRIDGE  
MANUFACTURING  
COMPANY**

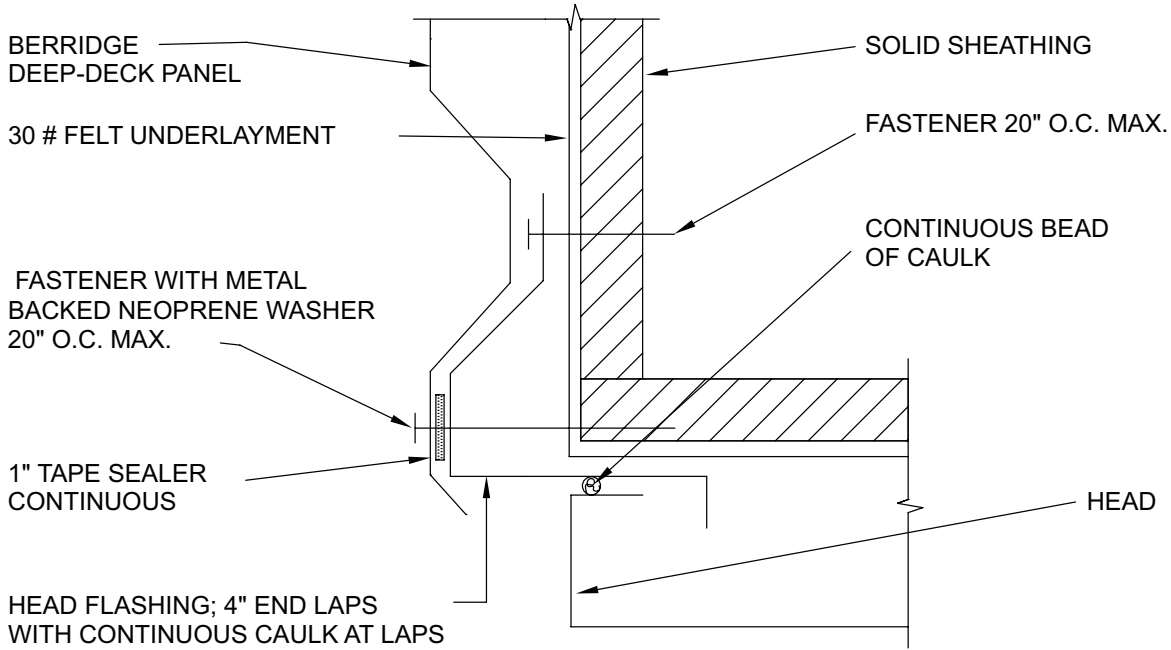
*Roofs of Distinction*

**OUTSIDE CORNER  
SOLID SHEATHING**

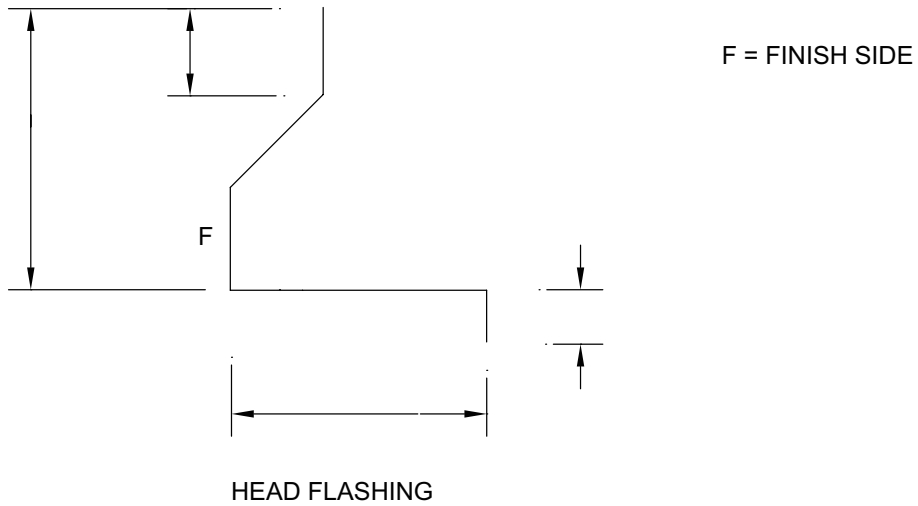
**Deep-Deck Panel**

DATE: 12-05-02

PAGE/FILE  
D-112



1. SOLID SHEATHING (BY OTHERS) TO BE MINIMUM 1/2" PLYWOOD OR EQUIVALENT IN STRENGTH FOR HOLDING POWER OF FASTENERS.
2. ALL FELT UNDERLAYMENT, CAULKING AND FASTENERS ARE ITEMS TO BE FURNISHED AND INSTALLED BY THE ROOFING INSTALLER AT THE DISCRETION OF THE ARCHITECT.



**BERRIDGE**  
**MANUFACTURING**  
**COMPANY**

## HEAD DETAIL

### Deep-Deck Panel

DATE: 12-05-02

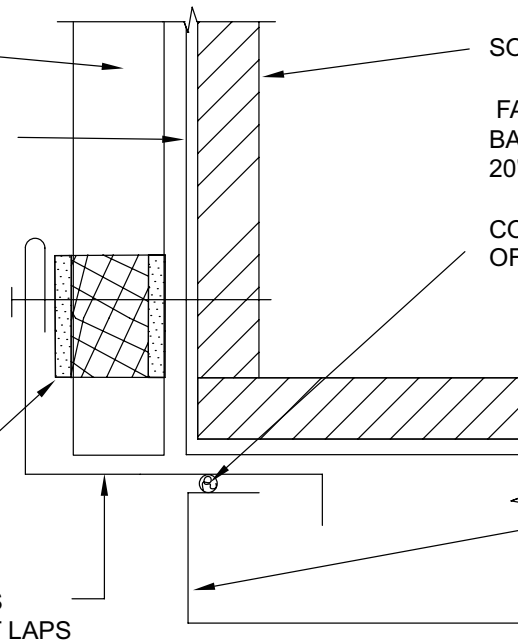
PAGE/FILE  
 DD-113

BERRIDGE  
DEEP-DECK PANEL

30 # FELT UNDERLAYMENT

OUTSIDE FOAM CLOSURE  
WITH TAPE SEALER  
TOP AND BOTTOM.

JAMB FLASHING; 4" END LAPS  
WITH CONTINUOUS CAULK AT LAPS



SOLID SHEATHING

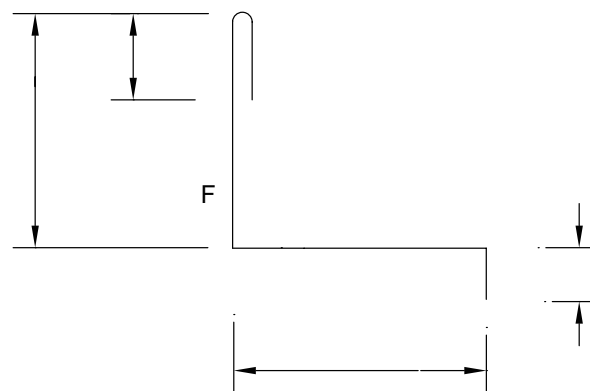
FASTENER WITH METAL  
BACKED NEOPRENE WASHER  
20" O.C. MAX.

CONTINUOUS BEAD  
OF CAULK

JAMB

1. SOLID SHEATHING (BY OTHERS) TO BE MINIMUM 1/2" PLYWOOD OR EQUIVALENT IN STRENGTH FOR HOLDING POWER OF FASTENERS.

2. ALL FELT UNDERLAYMENT, CAULKING AND FASTENERS ARE ITEMS TO BE FURNISHED AND INSTALLED BY THE ROOFING INSTALLER AT THE DISCRETION OF THE ARCHITECT.



F = FINISH SIDE

JAMB FLASHING



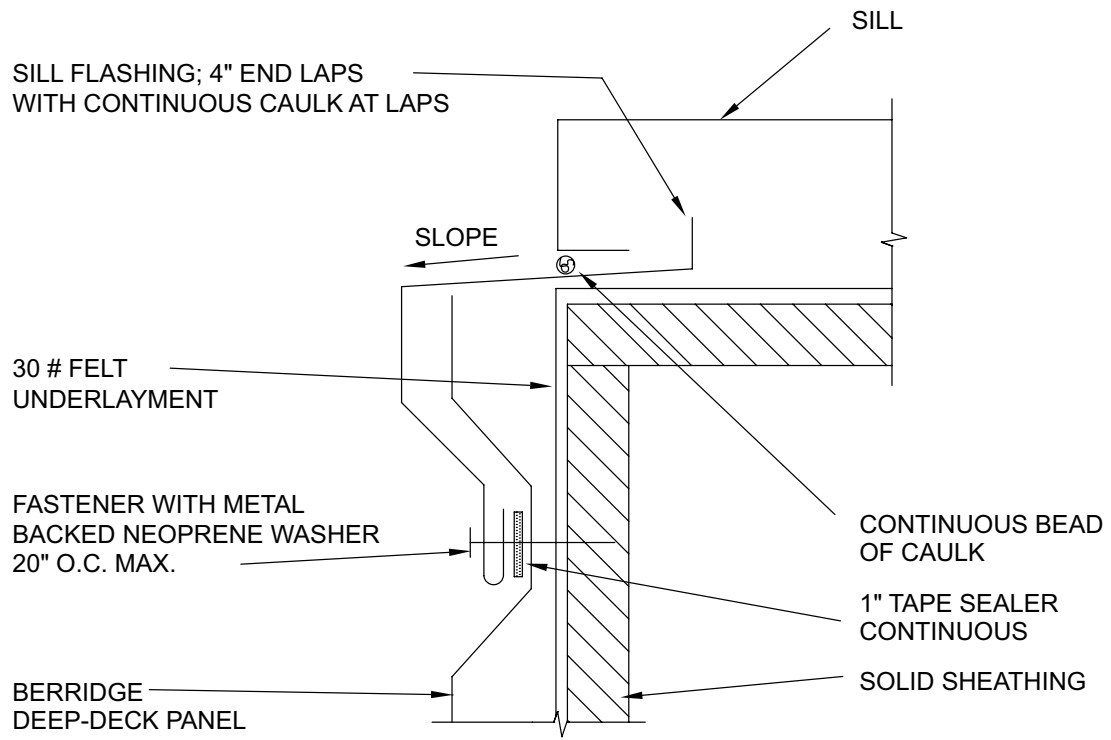
**BERRIDGE**  
MANUFACTURING  
COMPANY

## JAMB DETAIL

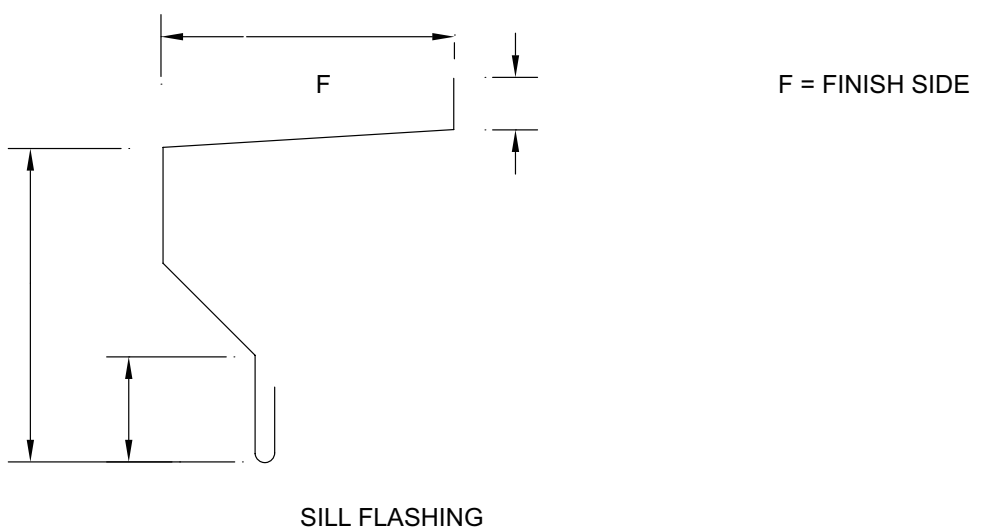
### Deep-Deck Panel

DATE: 12-05-02

PAGE/FILE  
DD-114



1. SOLID SHEATHING (BY OTHERS) TO BE MINIMUM 1/2" PLYWOOD OR EQUIVALENT IN STRENGTH FOR HOLDING POWER OF FASTENERS.
2. ALL FELT UNDERLAYMENT, CAULKING AND FASTENERS ARE ITEMS TO BE FURNISHED AND INSTALLED BY THE ROOFING INSTALLER AT THE DISCRETION OF THE ARCHITECT.



**BERRIDGE  
MANUFACTURING  
COMPANY**

*Roofs of Distinction*

**SILL DETAIL**

**Deep-Deck Panel**

DATE: 12-05-02

PAGE/FILE  
DD-115

BERRIDGE  
DEEP-DECK PANEL

30 # FELT UNDERLAYMENT

FASTENER WITH METAL  
BACKED NEOPRENE WASHER  
20" O.C. MAX.

1" TAPE SEALER  
CONTINUOUS

SILL FLASHING; 4" END LAPS  
WITH CONTINUOUS CAULK AT LAPS

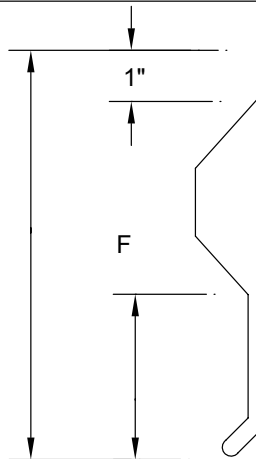
SOLID SHEATHING

FASTENER 20" O.C. MAX.

CONTINUOUS CLEAT

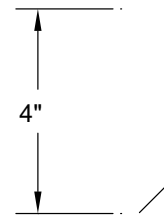
1. SOLID SHEATHING (BY OTHERS) TO BE MINIMUM 1/2" PLYWOOD OR EQUIVALENT IN STRENGTH FOR HOLDING POWER OF FASTENERS.

2. ALL FELT UNDERLAYMENT, CAULKING AND FASTENERS ARE ITEMS TO BE FURNISHED AND INSTALLED BY THE ROOFING INSTALLER AT THE DISCRETION OF THE ARCHITECT.

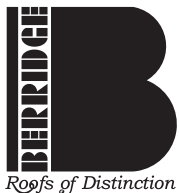


SILL FLASHING

F = FINISH SIDE



CLEAT



**BERRIDGE**  
MANUFACTURING  
COMPANY

## GRADE DETAIL

### Deep-Deck Panel

DATE: 12-05-02

PAGE/FILE  
DD-116