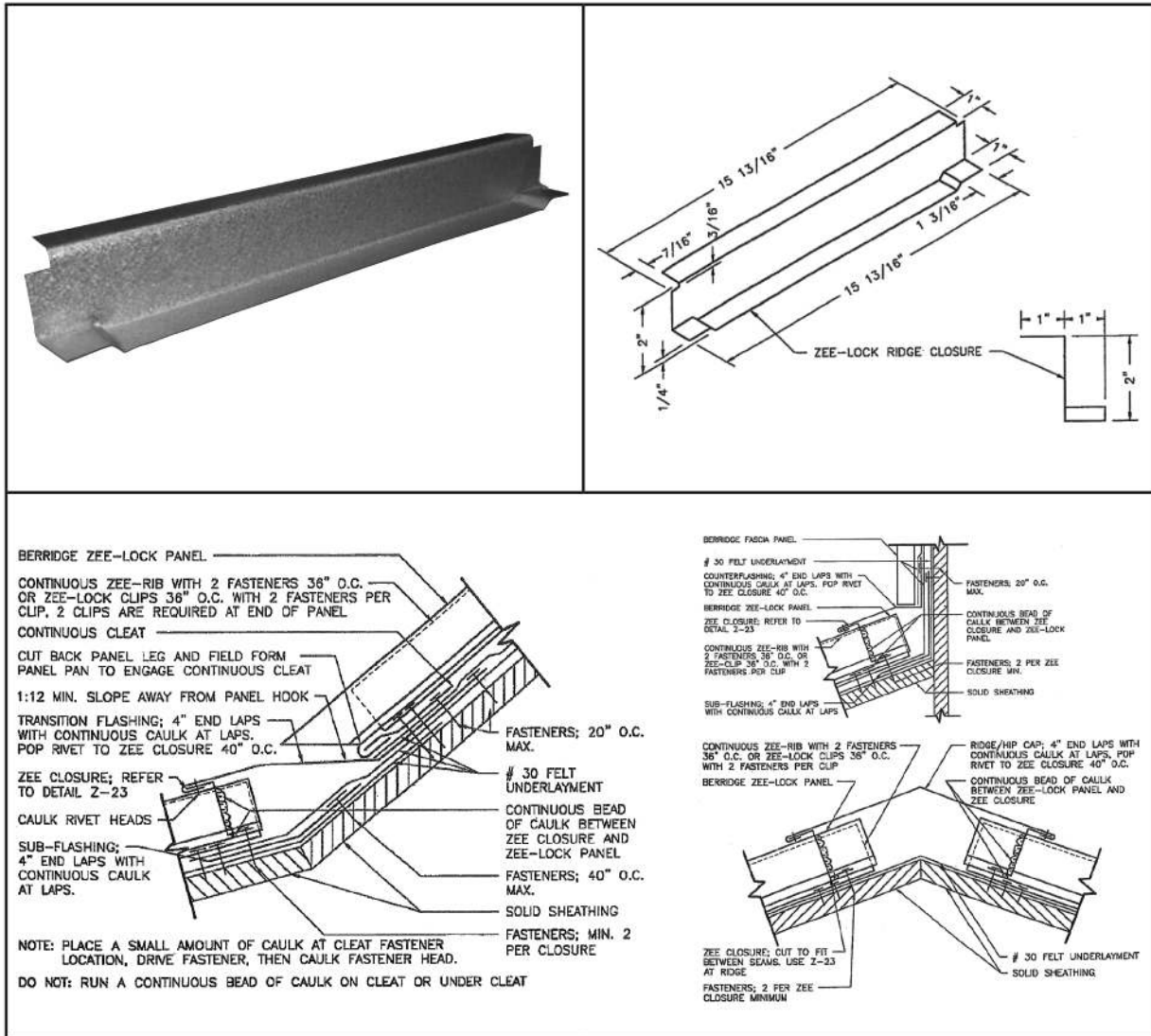


**PRODUCT DESCRIPTION**

# ZEE-LOCK DIE-FORMED CLOSURE



Zee-Lock Die-Formed Closure  
Berridge Manufacturing Company



Moisture & Thermal Protection:  
Metal Roofing & Siding Products

- For ridge, slope transitions or 90° headwall
- Not suitable for hips. Use Zee-Flashing for hips.
- 24 Gauge Material
- Factory-fabricated & die-formed to fit Zee-Lock panel profile
- Available in all Berridge color finishes
- Refer to Zee-Lock typical details for installation information



**BERRIDGE MANUFACTURING COMPANY - Roofs of Distinction**

2610 Harry Wurzbach Road, San Antonio, TX 78209 | (210) 650-3050 | FAX (210) 650-0379