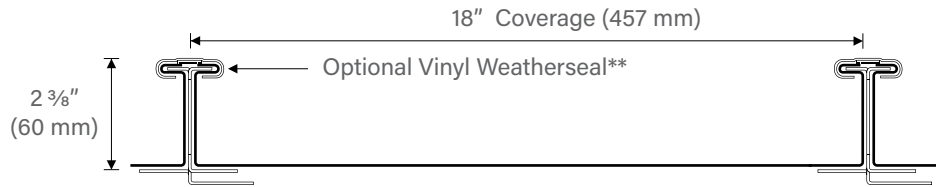


Berridge Tee-Lock Zee-Closure

FOR USE WITH TEE-LOCK PANEL



Materials

24 and 22 Gauge Steel*
0.032 and 0.040 Aluminum*

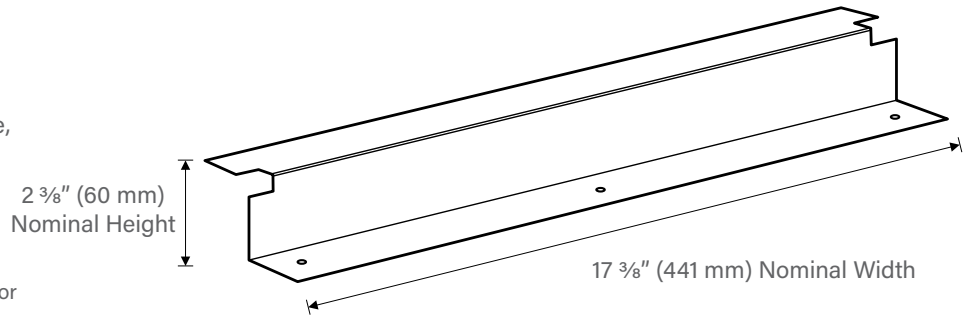
Installation

- Install per Berridge Installation Details
- Use as mechanical weather closure at ridge, headwall and slope transitions
- Die-formed to match panel profile
- Use Zee-Flashing for hips

Note:

* Contact Berridge Manufacturing Company for color availability.

** Vinyl weatherseal in Tee-Lock seam cap is required for watertightness warranties and open framing conditions.



CORPORATE HEADQUARTERS

2610 Harry Wurzbach Road
San Antonio, TX 78209
(800) 669-0009
www.Berridge.com