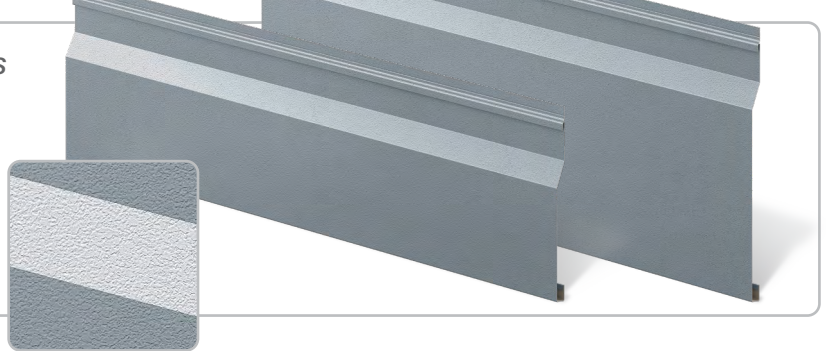


Berridge HS-8 and HS-12 Panels

WALL, SOFFIT, CEILING, AND FASCIA PANEL SYSTEM



The Berridge HS-8 and HS-12 metal wall panels are designed for horizontal and vertical wall applications and interlock with each other and with the Berridge HR-16 and HC-16 wall panels to provide endless design opportunities.



Materials

24 and 22 Gauge Steel
0.032 Aluminum

Specifications

Uses: Wall, Soffit, Ceiling, Fascia, Screen Wall, Berridge Fencing System

Coverage: HS-8: 8"; HS-12: 12"

Finishes: Standard stucco embossing, optional smooth*

Fasteners: Concealed

Applications: Vertical on Fencing; horizontal or vertical over open framing or solid sheathing for other uses

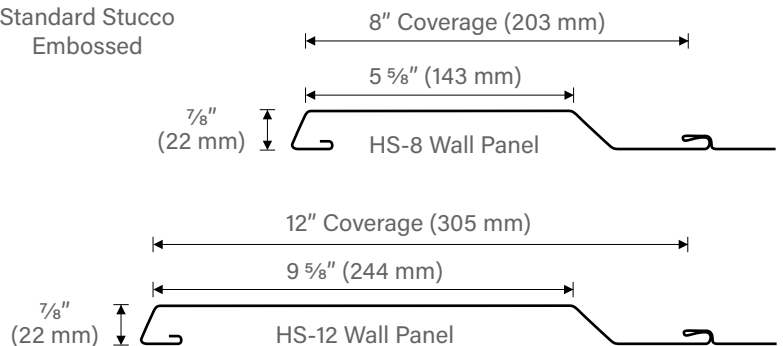
Pattern: HS-8: $\frac{7}{8}$ " height and $5\frac{5}{8}$ " rib with 2" reveal

HS-12: $\frac{7}{8}$ " height and $9\frac{5}{8}$ " rib with 2" reveal

Installation

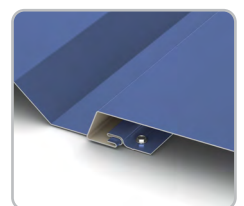
- Panel is available from the factory in continuous lengths to a maximum of 30' for embossed panels.
- Interlocks with each other, HR-16, and HC-16 panels.
- Use siding starter strip to start panel at bottom of soffit or sill.
- Use channel closure at inside and outside corners with or without rubber closures.
- Use standard channel at jambs without rubber closures.
- Use special channel at jambs without rubber closures.
- Use HS rubber closures against air infiltration.

Standard Stucco
Embossed



* Contact BMC for limited material availability.
Smooth finish is not available for all applications.

Pictured Above
Project: Salude Transitional Care Facility
Architect: Wright Group Architects + Planners, P.L.L.C.
General Contractor: Integra Construction
Installing Contractor: Bristol Engineered Metals, LLC
Color: Buckskin, Preweathered Galvalume®



Detail of HS Panel
Interlock

All information subject to change without notice. See website for details, specifications, and Watertightness Warranty requirements.

© Berridge Manufacturing Company 2020 • (800) 669-0009 • www.Berridge.com

BERRIDGE HS-8 AND HS-12 PANEL TESTING AND CERTIFICATION SUMMARY CHART

CATEGORY	CHARACTERISTIC	TEST METHOD	PURPOSE	RESULT
PERFORMANCE	<input type="checkbox"/> Uplift Resistance	ASTM E-1592	Test method to determine uplift resistance of open framing systems	See Load Chart on Berridge website
AIR AND MOISTURE	<input type="checkbox"/> Water Penetration	ASTM E-331**	Test method for water penetration of metal roofs by uniform static air pressure difference	No Leakage at 15.0 PSF Pressure Differential
	<input type="checkbox"/> Air Leakage	ASTM E-283**	Test method for rate of air leakage through exterior metal roofs	Less than 0.01 CFM at 6.24 PSF Pressure Differential
ROOF LISTINGS	<input type="checkbox"/> Florida Product Approval	TAS 125	Local and state approval of products and systems for compliance with the structural requirements of the Florida Building Code	HS-8: FL# 14669.2 (24 or 22 GA-Girts) FL# 172174 (0.032 AL-Girts) FL# 174374 (0.032 AL-Girts) HS-12: FL# 14669.3 (24 or 22 GA-Girts) FL# 172175 (0.032 AL-Girts) FL# 174373 (0.032 AL-Girts)
	<input type="checkbox"/> TDI Listed	ASTM E-1592	Texas Department of Insurance Listing for wind capacities	HS-8: EC-85 (0.032 AL-Girts) HS-12: EC-86 (0.032 AL-Girts) HS-12: EC-87 (24 or 22 GA-Girts)

■ - Steel only □ - Steel and Aluminum

For further details please visit www.Berridge.com

** See HR-16 Panel for test results on ASTM E-331 and ASTM E-283 with similar panel seams



CORPORATE HEADQUARTERS
 2610 Harry Wurzbach Road
 San Antonio, TX 78209
 (800) 669-0009
www.Berridge.com