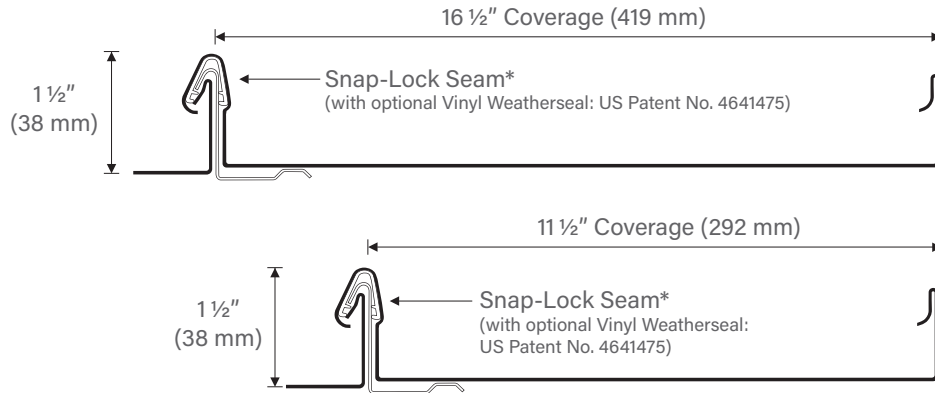


# Berridge Cee-Lock Panel Load Chart

## OPEN FRAMING\*



Cee-Lock Section Properties Based on 24 Gauge 40 K.S.I.			
	$I_x$ (in <sup>4</sup> /ft)	$M_A$ (ft*lbs/ft)	$V_A$ (lbs/ft)
Positive Bending	0.0567	87.0	610
Negative Bending	0.0286	61.9	610

**NOTES:**

- 1) Cee-Lock Panel with continuous 24 GA Cee-Rib.
- 2) Values Based on 1996 edition of AISI and good engineering practice.

Open Framing on 16 ga Steel Support (Galvalume Substrate)						
Gauge of Panel	Spacing (in)	Clip Type	Fastener	Fastener Quantity	Allowable (psf)	Ultimate (psf)
22	24	Continuous Rib	1/4-14 DP3	2	150	300
22	30	Continuous Rib	1/4-14 DP3	2	133.75	267.50
22	36	Continuous Rib	1/4-14 DP3	2	117.50	235
22	42	Continuous Rib	1/4-14 DP3	2	101.25	202.50
22	48	Continuous Rib	1/4-14 DP3	2	85	170

**NOTES:**

- 1) All test results determined through ASTM E1592 testing standards.

\*Consult BMC Technical prior to assembly selection.



**CORPORATE HEADQUARTERS**

2610 Harry Wurzbach Road  
San Antonio, TX 78209  
(800) 669-0009  
www.Berridge.com