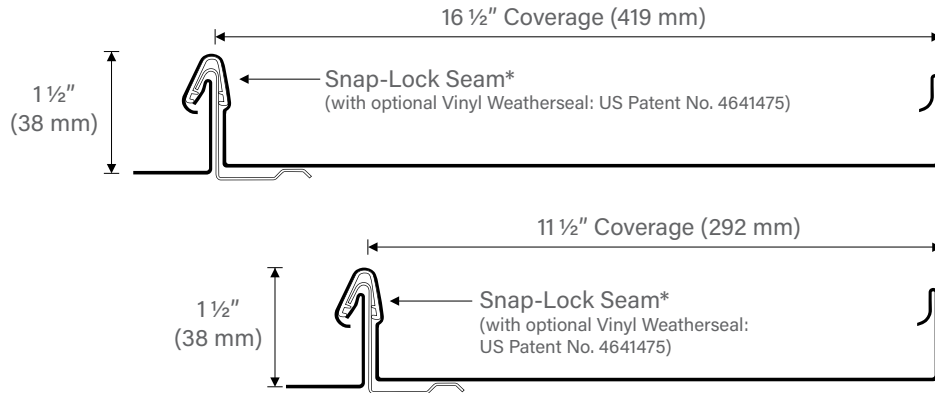


Berridge Cee-Lock Panel Load Chart

METAL DECK



22 ga Metal Decking (Galvalume Substrate)						
Gauge of Panel	Spacing (in)	Clip Type	Fastener	Fastener Quantity	Allowable (psf)	Ultimate (psf)
24	8	Continuous Rib	#14-13 DP1	1	116.00	232
24	10	Continuous Rib	#14-13 DP1	1	114.13	228.25
24	12	Continuous Rib	#14-13 DP1	1	112.25	224.50
24	14	Continuous Rib	#14-13 DP1	1	110.38	220.75
24	16	Continuous Rib	#14-13 DP1	1	108.50	217
22	8	Continuous Rib	#14-13 DP1	1	183.50	367
22	10	Continuous Rib	#14-13 DP1	1	170.38	340.75
22	12	Continuous Rib	#14-13 DP1	1	157.25	314.50
22	14	Continuous Rib	#14-13 DP1	1	144.13	288.25
22	16	Continuous Rib	#14-13 DP1	1	131.00	262
(Aluminum Substrate)						
Gauge of Panel	Spacing (in)	Clip Type	Fastener	Fastener Quantity	Allowable (psf)	Ultimate (psf)
0.032	12	Fixed Clip	#14-13 DP1	2	116	232
0.032	14	Fixed Clip	#14-13 DP1	2	104.75	209.50
0.032	16	Fixed Clip	#14-13 DP1	2	93.5	187
0.032	18	Fixed Clip	#14-13 DP1	2	82.25	164.5
0.032	20	Fixed Clip	#14-13 DP1	2	71	142

NOTES:

- 1) Maximum 6" thick rigid board with minimum compressive strength of 20 psi allowed in assembly.
- 2) All test results determined through UL580/ UL1897 testing standards.
- 3) Bearing plate required for all clip assemblies directly over rigid board.



CORPORATE HEADQUARTERS

2610 Harry Wurzbach Road
San Antonio, TX 78209
(800) 669-0009
www.Berridge.com

All information subject to change without notice. See website for details, specifications and Watertightness Warranty requirements.

© Berridge Manufacturing Company 2021 • (800) 669-0009 • www.Berridge.com