

CEE-LOCK DIE-FORMED CLOSURE

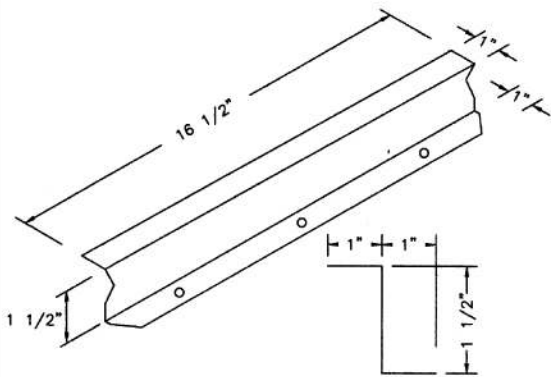
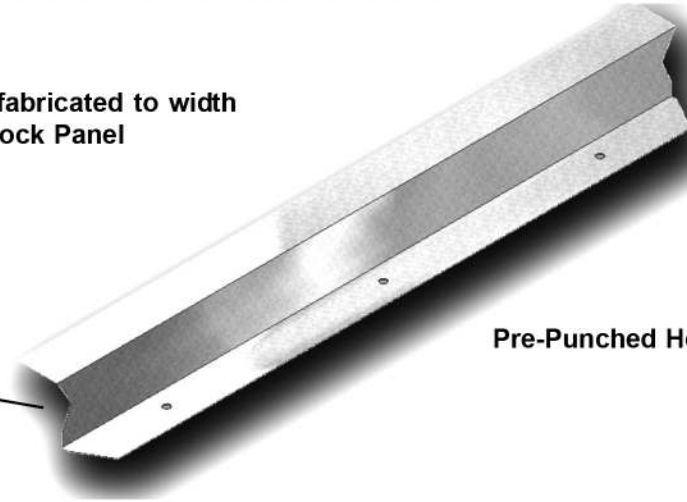
BERRIDGE CEE-LOCK PANEL - DIE-FORMED CLOSURE

Factory-fabricated to width
of Cee-Lock Panel

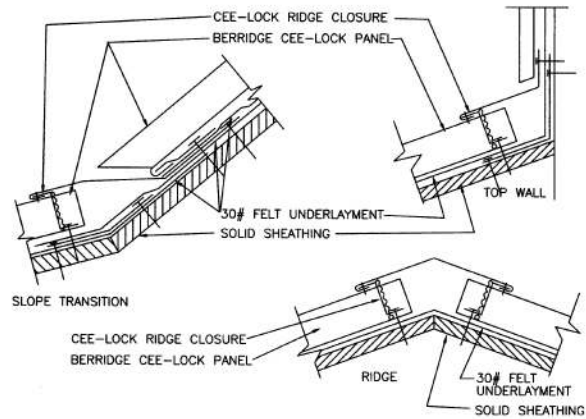
Die-Formed to
match
Cee-Lock
Panel

Die-Formed
to match
Cee-Lock
Panel

Pre-Punched Holes



Note: 3 Fasteners required per Closure.



Cee-Lock Die-Formed Closure
Berridge Manufacturing Company



Moisture & Thermal Protection:
Metal Roofing & Siding Products

- For ridge, slope transitions or 90° headwall
- Not suitable for hips. Use zee-flashing for hips.
- 24 Gauge Material
- Factory-fabricated & die-formed to fit Cee-Lock panel profile
- Available in all Berridge color finishes
- Refer to Cee-Lock typical details for installation information

