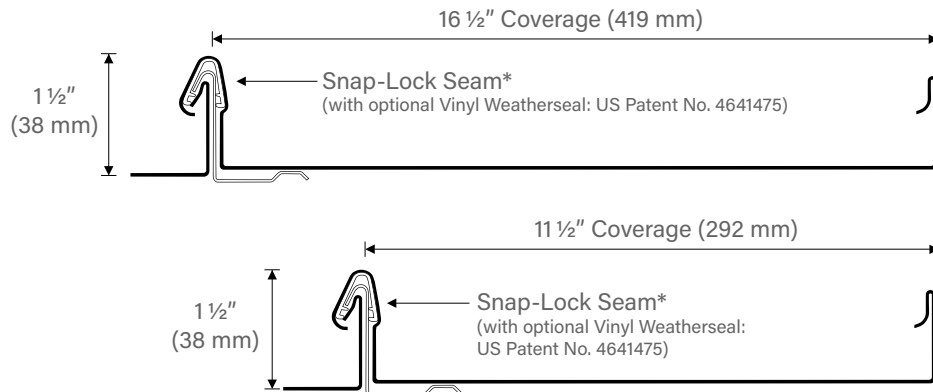


Berridge Cee-Lock Continuous Rib

FOR USE WITH CEE-LOCK PANEL



Materials

24 Gauge Steel

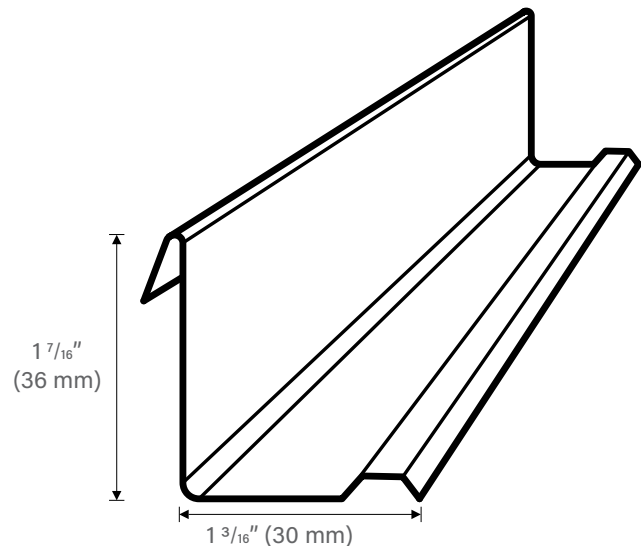
Installation

- Install per Berridge Installation Details
- Attachment: Use (1) #10-13 GP fastener for connection to plywood substrate, (1) #14-13 DP1 self-drilling fastener for connection to steel deck, or (2) 1/4-14 DP3 self-drilling fasteners to steel supports
- Spacing: 20" O.C. max into 15/32" plywood, or 24" O.C. max into 22 gauge steel deck pursuant to UL90 Construction #381, or 48" O.C. max to 16 gauge steel supports pursuant to UL90 Construction #334**
- Vinyl Weatherseal required for all watertightness warranty*
- Available from the factory in continuous lengths to a maximum of 40'
- Not for use with Aluminum
- Please consult BMC when applying in a coastal or high-wind load area or have special considerations.

Note:

* Continuous Cee-Rib and vinyl weatherseal required for watertight warranties

** If specifications, local codes, or other regulations dictate specific wind uplift requirements, consult Berridge's Engineering Department at (800) 669-0009. It may be necessary to use a different clip, clip spacing, fastener, fastener spacing, or assembly.



Dimensions shown above are nominal.



CORPORATE HEADQUARTERS

2610 Harry Wurzbach Road
San Antonio, TX 78209
(800) 669-0009
www.Berridge.com

All information subject to change without notice. See website for details, specifications, and Watertightness Warranty requirements.

© Berridge Manufacturing Company 2023 • (800) 669-0009 • www.Berridge.com