

Berridge Vantage Point



RETROFIT ROOF SYSTEM



BEFORE

Problem: Flat roofs can sometimes become problematic and unsightly with rooftop units, mechanical equipment and pooling water.



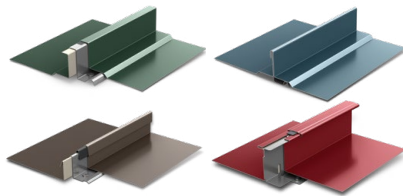
AFTER

Solution: Berridge Vantage Point Retrofit Roof System provides a totally new design appearance, hides unsightly mechanical equipment and offers watertight integrity.

Berridge Vantage Point reroofing system combines a new aesthetic look with a simple mechanical attachment over existing flat, built-up roofs that will last for years to come. Vantage Point is more than just a patch-up or a re-roof solution; it is a permanent new roof with a new higher profile which gives your old building a totally new look. The sloped, light-weight, self-supporting metal panels do not need substrate, thus avoiding extra weight and cost. They provide a watertight standing seam that sheds water in contrast to dated, flat, built-up roofs which are subject to water pooling and subsequent leakage. Added insulation may be placed on the existing flat roof.

Economical Installation – No Tear-Off Required!

High-Quality Structural/Architectural Panels



The Berridge Zee-Lock, Double-Lock Zee-Lock, Cee-Lock and Tee-Lock architectural/structural standing seam roof systems provide superior aesthetic appearance and excellent performance options. (Pictured in order above.)

Single-Source Convenience

The installer orders all necessary coil material, components and all pre-cut retrofit roof system framing members from Berridge.

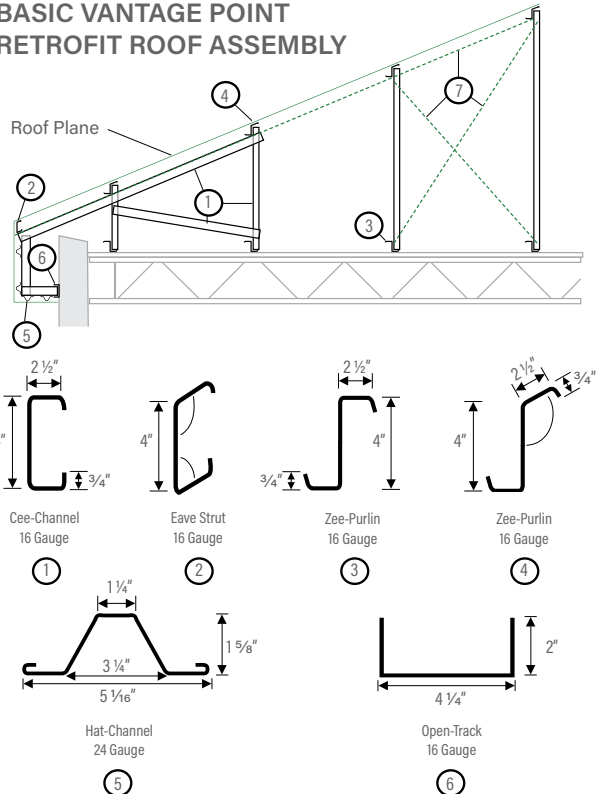
A Retrofit Design Checklist for Architects & Designers

- Roof Design:** Low slope to steep mansard profile. Intersecting planes such as hips, dormers and valleys should be kept to a minimum.
- Penetrations:** Minimize penetrations such as skylights, curbs for roof-mounted heating or air-conditioning units, etc.

Thermal & Mechanical Considerations

- Insulation**
The space between the old and new roof allows for low-cost, blanket insulation to greatly reduce heating and cooling costs.
- Vapor Barrier (if required)**
A vinyl vapor barrier on the underside of the blanket insulation avoids condensation from the building penetrating the insulation and reaching the framing system and roof panels.
- Mechanical Equipment**
Any existing and new mechanical equipment should be located at ground level to reduce penetrations.
- Ventilation**
The new attic space should be vented with ridge vents or louvers.
- Thermal Movement**
Accommodated at the eaves and with inner-rib expansion joints.

BASIC VANTAGE POINT RETROFIT ROOF ASSEMBLY



- ① 16 ga. Cee-Channel. Connect each end w/ (4) #12-14 self-drilling fasteners.
- ② 16 ga. Eave Strut. Connect to beam w/ (2) #12-14 self-drilling fasteners.
- ③ 16 ga. Continuous 4" x 2 1/2" Zee-Purlin Roof Support.
- ④ 16 ga. Continuous 4" x 2 1/2" Retrofit Sloped Zee-Purlin.
- ⑤ 24 ga. Hat-Channel. Connect to beam w/ (2) #12-14 self-drilling fasteners each flange.
- ⑥ 16 ga. Open-Track x 1'-0" Long. Anchor into wall. Connect to beam with (2) #12-14 self-drilling fasteners each flange.
- ⑦ 24 ga. 2" Bottom Flange Strapping at Purlin mid-span. Connect to purlin w/ (1) #12-14 self-drilling fastener.

Pictured Above

Project: Industry Telephone Company, Industry, TX
Contractor: Gulf Star Roofing & Sheet Metal

All information subject to change without notice. See website for details, specifications and Watertightness Warranty requirements.

© Berridge Manufacturing Company 2017 • 800-669-0009 • www.berridge.com