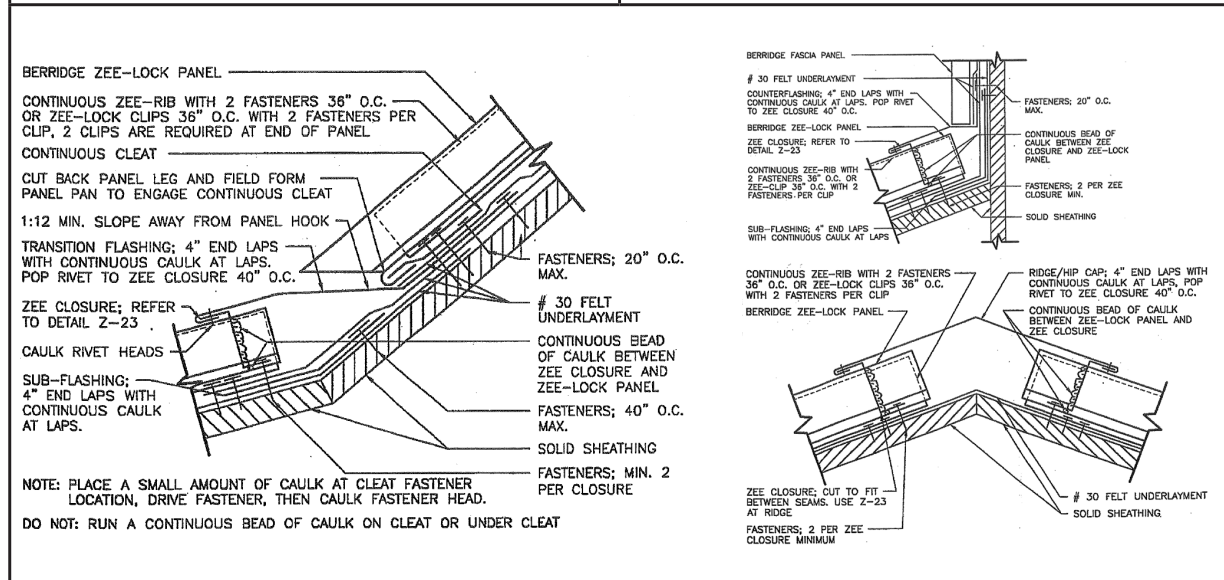
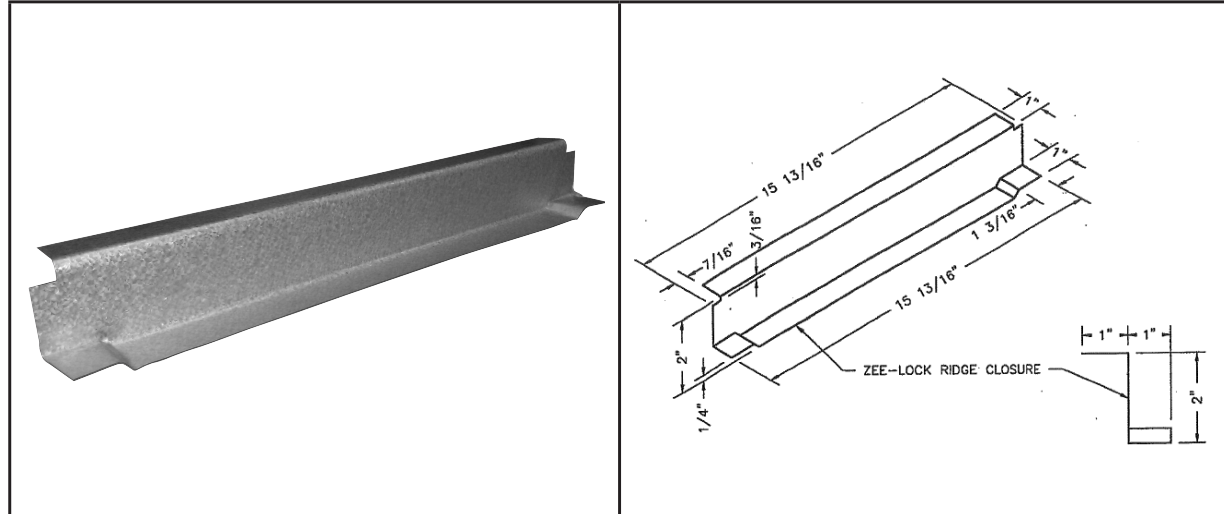


PRODUCT DESCRIPTION

ZEE-LOCK DIE-FORMED CLOSURE



- For ridge, slope transitions or 90° headwall
- Not suitable for hips. Use Zee-Flashing for hips.
- 24 Gauge Material
- Factory-fabricated & die-formed to fit Zee-Lock panel profile
- Available in all Berridge color finishes
- Refer to Zee-Lock typical details for installation information

Zee-Lock Die-Formed Closure
Berridge Manufacturing Company



Moisture & Thermal Protection:
Metal Roofing & Siding Products



BERRIDGE MANUFACTURING COMPANY - *Roofs of Distinction*

6515 FRATT ROAD | SAN ANTONIO, TEXAS | 78218 | 210-650-3050 | 800-669-0009 | 210-650-0379 FAX | WWW.BERRIDGE.COM