



**BUILDING CODE COMPLIANCE OFFICE (BCCO)
PRODUCT CONTROL DIVISION**

**MIAMI-DADE COUNTY, FLORIDA
METRO-DADE FLAGLER BUILDING
140 WEST FLAGLER STREET, SUITE 1603
MIAMI, FLORIDA 33130-1563
(305) 375-2901 FAX (305) 375-2908**

NOTICE OF ACCEPTANCE (NOA)

**Berridge Manufacturing Co.
1720 Maury
Houston, TX 77026-7199**

SCOPE:

This NOA is being issued under the applicable rules and regulations governing the use of construction materials. The documentation submitted has been reviewed by the BCCO and accepted by the Building Code and Product Review Committee to be used in Miami Dade County and other areas where allowed by the Authority Having Jurisdiction (AHJ).

This NOA shall not be valid after the expiration date stated below. The BCCO (In Miami Dade County) and/or the AHJ (in areas other than Miami Dade County) reserve the right to have this product or material tested for quality assurance purposes. If this product or material fails to perform in the accepted manner, the manufacturer will incur the expense of such testing and the AHJ may immediately revoke, modify, or suspend the use of such product or material within their jurisdiction. BCCO reserves the right to revoke this acceptance, if it is determined by BCCO that this product or material fails to meet the requirements of the applicable building code.

This product is approved as described herein, and has been designed to comply with the Florida Building Code and the High Velocity Hurricane Zone of the Florida Building Code.

DESCRIPTION: Berridge Manufacturing Company Cee-Lock Panel

LABELING: Each unit shall bear a permanent label with the manufacturer's name or logo, city, state and following statement: "Miami-Dade County Product Control Approved", unless otherwise noted herein.

RENEWAL of this NOA shall be considered after a renewal application has been filed and there has been no change in the applicable building code negatively affecting the performance of this product.

TERMINATION of this NOA will occur after the expiration date or if there has been a revision or change in the materials, use, and/or manufacture of the product or process. Misuse of this NOA as an endorsement of any product, for sales, advertising or any other purposes shall automatically terminate this NOA. Failure to comply with any section of this NOA shall be cause for termination and removal of NOA.

ADVERTISEMENT: The NOA number preceded by the words Miami-Dade County, Florida, and followed by the expiration date may be displayed in advertising literature. If any portion of the NOA is displayed, then it shall be done in its entirety.

INSPECTION: A copy of this entire NOA shall be provided to the user by the manufacturer or its distributors and shall be available for inspection at the job site at the request of the Building Official.

This NOA consists of pages 1 through 6.

The submitted documentation was reviewed by Jorge L. Acebo.

**NOA No.: 07-0813.09
Expiration Date: 11/15/12
Approval Date: 11/15/07
Page 1 of 6**



ROOFING SYSTEM APPROVAL:

Category: Roofing
Sub-Category: Non-Structural Metal Roofing
Material: Steel
Deck Type: Wood
Maximum Design Pressure: -108.5 psf

TRADE NAMES OF PRODUCTS MANUFACTURED OR LABELED BY APPLICANT:

<u>Product</u>	<u>Dimensions</u>	<u>Test Specifications</u>	<u>Product Description</u>
Berridge Cee-Lock Panel	Width = 16 1/2 " Thickness = 24-ga	TAS 125	G-90 galvanized panels coated with various approved coatings Fluropon, or Kynar
Berridge Continuous Cee-Clip Rib	Length = 5 1/2 " Width = 1 3/8 " Thickness = 24-ga	TAS 125	Corrosion resistant, formed, steel clips for metal panel installation.

EVIDENCE SUBMITTED:

<u>Test Agency</u>	<u>Test Identifier</u>	<u>Test Name/Report</u>	<u>Date</u>
Force Engineering & Testing Inc.	49-0194T-06A 49-0194T-06B 49-0194T-06C	TAS 125	9/21/06
PRI Asphalt Technologies, Inc.	BMC-005-02-01	TAS 100	5/7/07
The Valspar Corporation	Lab Test Certification	ASTM G 23 ASTM B 117	3/16/05 3/16/05



APPROVED SYSTEMS:

SYSTEM A-1: Cee-Lock Steel Roof Panel
Deck Type: Wood, Non-insulated
Deck Description: New Construction or Re-roof ¹⁵/₃₂" or greater plywood or wood plank.
Slope Range: 2": 12" or greater
Maximum Uplift Pressure: See Table A Below

Deck Attachment: In accordance with applicable building code, but in no case shall it be less than 8d ring shank nails spaced 6" o.c. In reroofing, the above attachment method must be in addition to existing attachment.

Underlayment: Minimum underlayment shall be an ASTM D 226 Type II installed with a minimum 4" side-lap and 6" end-laps. Underlayment shall be fastened with corrosion resistant 32-gauge tin-caps and 12 gauge 1 1/4" annular ring-shank nails, spaced 6" o.c. at all laps and two staggered rows 12" o.c. in the field of the roll. Or, any approved underlayment having a current NOA.

Valleys: Valley construction shall be in compliance with Roofing Application Standard RAS 133 and with Berridge Manufacturing company's current published installation instructions.

Fire Barrier Board: Any approved Fire Barrier with a current NOA, or for class A or B fire rating, install minimum 1/4" thick Georgia Pacific "Dens Deck" (with current NOA) or minimum 4mm thick of Tritex, RockRoof (with current NOA) or 5/8" water resistant type X gypsum sheathing with treated core and facer in compliance with Roofing Application Standard RAS 133. **(See System Limitation #1)**

Metal Panels and Accessories: Install the "Cee-Lock Steel Roof Panel" and accessories in compliance with Berridge Manufacturing Company's current published installation instructions and details. Flashing, penetrations, valley construction and other details shall be constructed in compliance with the minimum requirements provided in Roofing Application Standards RAS 133.

"Cee-Lock" Roof Panels shall be attached to the plywood substrate along its male rib using the approved clips (continuous, 24-ga). Each clip shall be attached to the substrate with corrosion resistant #10-13 pancake head screws of sufficient length to penetrate through the sheathing a minimum of 3/16" at a spacing as listed in **Table A** below.

TABLE A MAXIMUM DESIGN PRESSURES		
Roof Areas	Maximum Design Pressures	Maximum Fastener Spacing
Field	-74.75 psf	20" o.c.
Perimeter and Corner ¹	-108.50 psf	10" o.c.

1. Extrapolation shall not be allowed

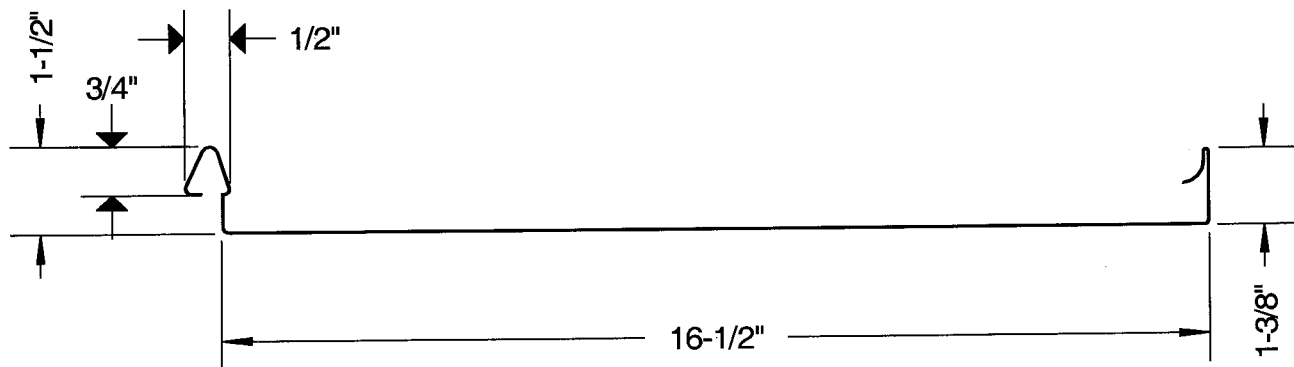


SYSTEM LIMITATIONS:

1. Fire classification is not part of this acceptance; refer to a current Approved Roofing Materials Directory for fire ratings of this product.
2. The maximum designed pressure listed herein shall be applicable to all roof pressure zones (i.e. field, perimeters, and corners). Neither rational analysis, nor extrapolation shall be permitted for enhanced fastening at enhanced pressure zones (i.e. perimeters, extended corners and corners).
3. Panels shall be rolls formed in continuous lengths from eave to ridge. Maximum lengths shall be as described in Roofing Application Standard RAS 133.
4. All panels shall be permanently labeled with the manufacturer's name or logo, and the following statement: "Miami-Dade County Product Control Approved. All clips shall be permanently labeled with the manufacturer's name and/or logo, and/or model.
5. All products listed herein shall have a quality assurance audit in accordance with the Florida Building Code and Rule 9B-72 of the Florida Administrative Code.

BERRIDGE MANUFACTURING COMPANY CEE-LOCK PANEL

PROFILE DRAWINGS

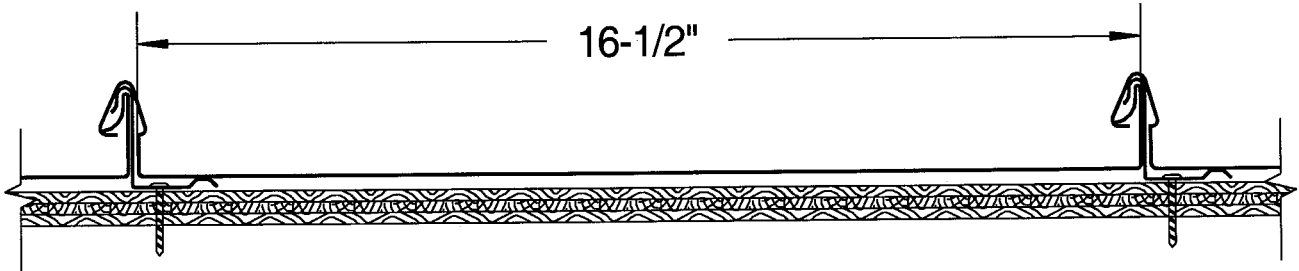


CEE-LOCK PANEL PROFILE

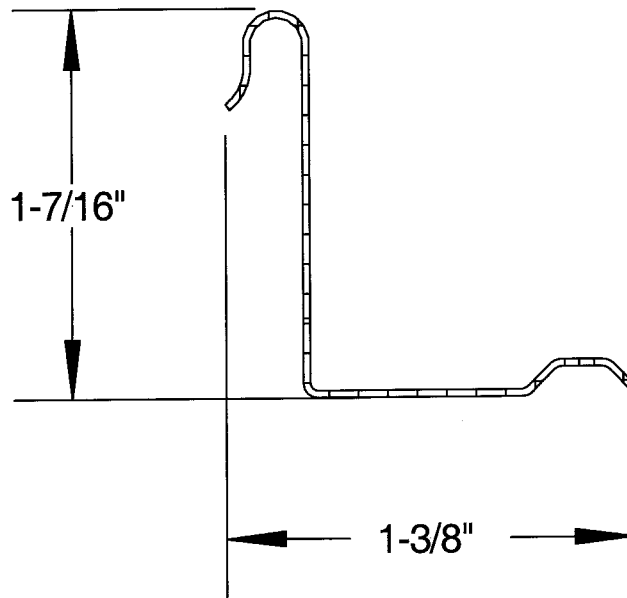


NOA No.: 07-0813.09
Expiration Date: 11/15/12
Approval Date: 11/15/07
Page 4 of 6

**BERRIDGE MANUFACTURING COMPANY
METAL PANEL
“CEE-LOCK” DRAWINGS CONTINUED**



TYPICAL FASTENER PATTERN ACROSS WIDTH

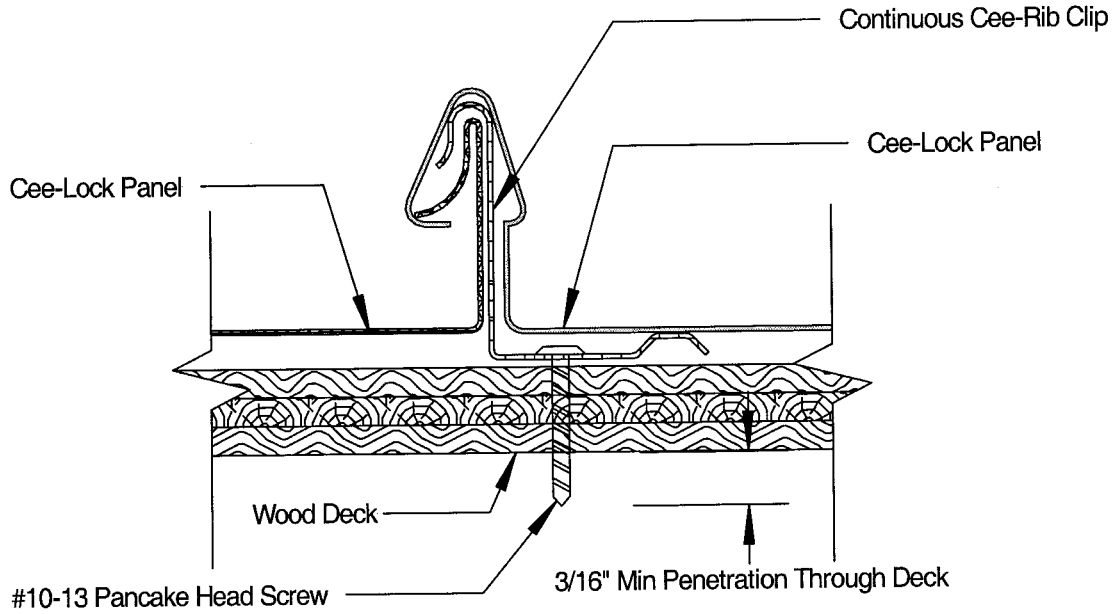


CONTINUOUS CEE-RIB CLIP

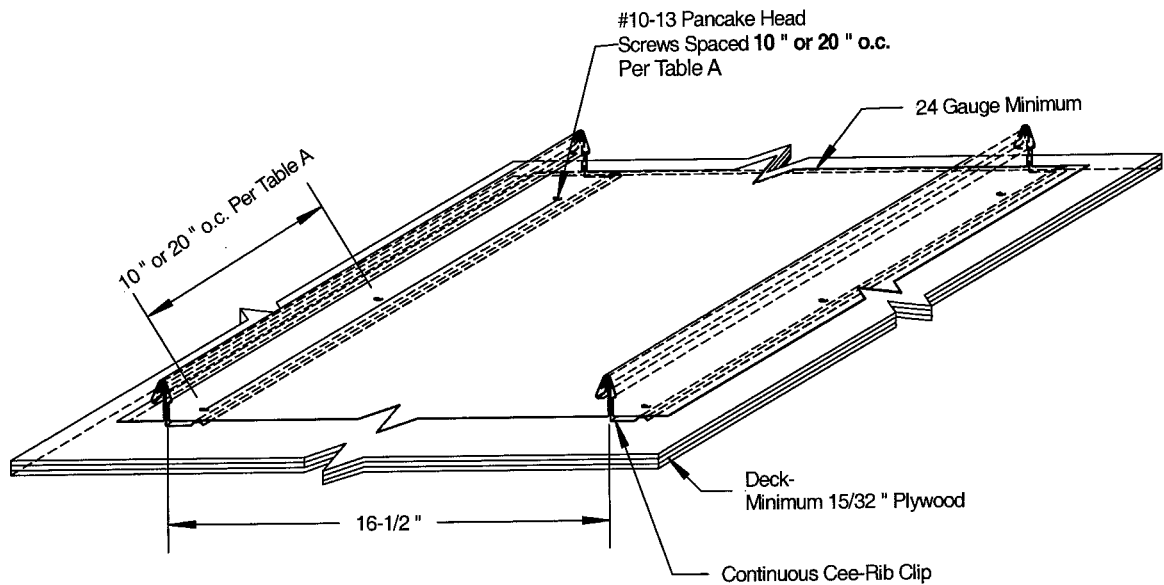


**BERRIDGE MANUFACTURING COMPANY
METAL PANEL**

"CEE-LOCK" DRAWINGS CONTINUED



CLIP ASSEMBLY DETAIL VIEW



ASSEMBLY ISOMETRIC VIEW

END OF THIS ACCEPTANCE



NOA No.: 07-0813.09
Expiration Date: 11/15/12
Approval Date: 11/15/07
Page 6 of 6