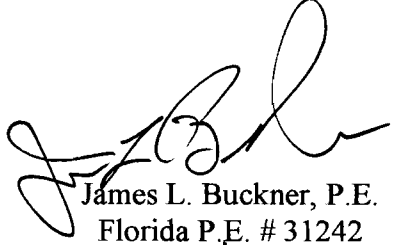


Evaluation Report
of
Berridge Manufacturing Company
“Flat Seam”
Metal Wall Panel Assembly
for
Florida Product Approval
FL 11462.4
Florida Building Code 2007
Per Rule 9B-72
Method: 1 - D
Category: Panel Walls
Sub - Category: Siding

Product: *“Flat Seam” Wall Panel*
Material: *Steel*
Panel Thickness: *24 Gauge*
Panel Width: *8”*
Support Type: *Steel Supports*

Prepared for:
Berridge Manufacturing Company
1720 Maury Road
Houston, TX 77026

Prepared by:
James L. Buckner, P.E.
Florida Professional Engineer # 31242
Florida Evaluation ANE ID: 1916
Project Manager: Diana Galloway
Report No. 08-136-FlatSeam-8-S4G-ER
Date: 9 / 29 / 08



James L. Buckner, P.E.
Florida P.E. # 31242
10/9/08

Contents:
Evaluation Report Pages 1 – 6



C-BUCK Engineering

Specialty Structural Engineering

CBUCK, Inc. Florida Certificate of Authorization # 8064

Manufacturer:	Berridge Manufacturing Company
Product Name:	“Flat Seam” Wall Panel
Product Category:	Panel Walls
Product Sub-Category	Siding
Compliance Method:	State Product Approval Rule 9B-72.070 (1) (d)
Panel Description:	“Flat Seam”, Steel, Lapped, Wall Panel attached to Steel Girts
Panel Material / Standards:	Material: Steel Yield Strength: 40 ksi minimum Corrosion Resistance: Material shall comply with the Florida Building Code (FBC), 2007 Section 1507.4.3.
Panel Dimension(s)	Thickness: 24 gauge minimum Width: 8” Maximum (Net Coverage Width) Rib Height: 3/8”
Support Type:	Steel Supports (Design of support system is not included in this evaluation)
Support Description:	<ul style="list-style-type: none">• Thickness: 24 gauge minimum• Yield strength: 40 ksi minimum
Fire Classification:	Fire Classification is outside the scope of Rule 9B-72, and is therefore not included in this evaluation. Additional approved substrates may be added for Fire Classification purposes.



C-BUCK Engineering

Specialty Structural Engineering

CBUCK, Inc. Florida Certificate of Authorization # 8064

**Attachment Component
Description:**

Panel to Support Fasteners

Size: #10 x 1"

Type: Pancake-Head Self-drilling screws

Corrosion Resistance: Per FBC Section 1507.6.6 and 1507.4.4

Standard: Per SAE J78-1979

Installation:

Berridge "Flat Seam" Wall Panel Attachment:

Panel to Supports:

- **Girt/Support Spacing: 24" o.c.** maximum
- **Fastener spacing: 8 o.c.** (nominal)
(along the girt, in the male leg)
- The panels form an interlock that must be fully engaged.

Minimum fastener penetration or embedment into girt, 3/4".

Install the system in compliance with the attached installation method.
Refer to manufacturer's installation instructions as a supplemental guide for attachment.

Allowable Design Pressure: **Positive:** + 155 PSF (Safety Factor of 2:1)
Negative: - 87 PSF (Safety Factor of 2:1)

Maximum Vertical Panel Spans= 36"
(Based on 3 or more spans)

NOTE:

1. Positive Pressure Inward
2. Negative Pressure Outward

C-BUCK Engineering

Specialty Structural Engineering

CBUCK, Inc. Florida Certificate of Authorization # 8064

- Quality Assurance:** The manufacturer has demonstrated compliance of wall panel products in accordance with the Florida Building Code and Rule 9B-72.070 (3) for manufacturing under a quality assurance program audited by an approved quality assurance entity through **Underwriter's Laboratories, Inc.** (FBC Organization #: QUA 1743)
- Performance Standards:** The product described herein has demonstrated compliance with:
- **ASTM E 330-02 – Test Method for Structural Performance of Exterior Windows, Curtain Walls, and Doors by Uniform Static Air Pressure Difference**
- Code Compliance:** The product described herein has demonstrated compliance with the Florida Building Code 2007, Section 1403.3.
- Evaluation Report Scope:** This product evaluation is limited to compliance with the structural wind load requirements of the Florida Building Code, as related to Rule 9B-72.
- System Limitations:** The required design wind loads shall be determined for each project per FBC, 2007, Section 1609. Any rational analysis computations shall consider web crippling and fastener pullout/pullover per AISI Cold-Formed Steel specification and prepared by a qualified design professional as required by FBC 2007, Sections 104, 105, 106. The maximum fastener/clip and support spacing listed herein shall not be exceeded. Diaphragm and axial load capacity is outside the scope of this evaluation. This report does not evaluate use of this product in the High Velocity Hurricane Zone.
- Referenced Data:**
1. ASTM E330-02 Test & Uniform Static Air Pressure portion of TAS 202-94 Test
By Hurricane Test Laboratory, LLC (FBC Organization #TST ID:1527)
Report #: 0307-0712-05, Report Date: 12/16/05
Test Specimen(s) 5, 6
 2. Quality Assurance
Underwriters Laboratories, Inc. (FBC Organization #QUA ID:1743)
 3. Certification of Independence
By James L. Buckner, P.E. @ CBUCK Engineering
(FBC Organization# ANE ID: 1916)

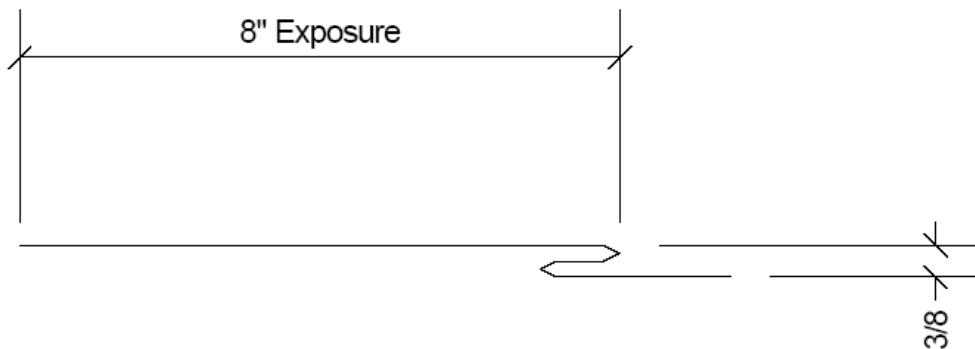
C-BUCK Engineering

Specialty Structural Engineering

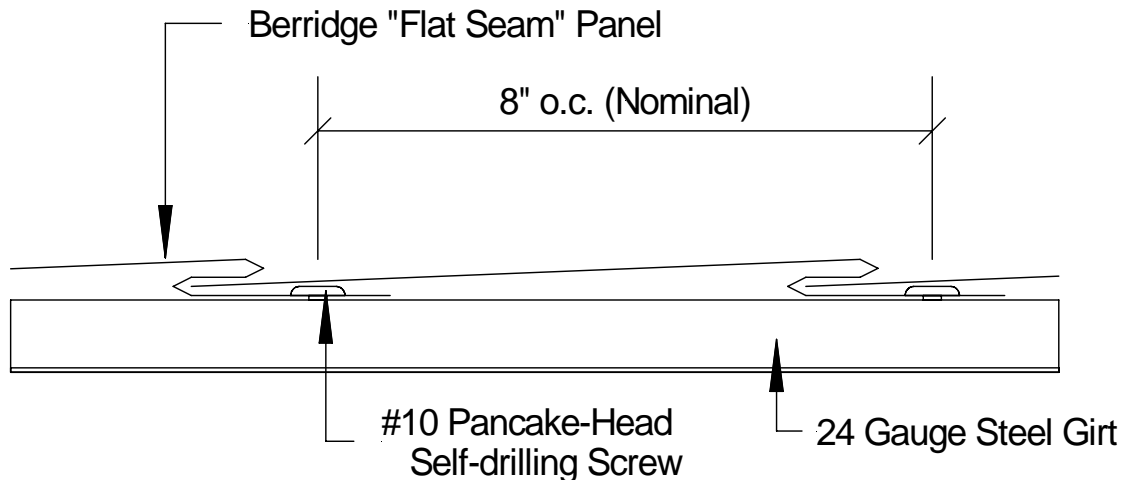
CBUCK, Inc. Florida Certificate of Authorization # 8064

Installation Method Berridge Manufacturing Company "Flat Seam" (24 Ga.) Wall Panel Attached to Steel Girts

Profile Drawings



Panel Profile View



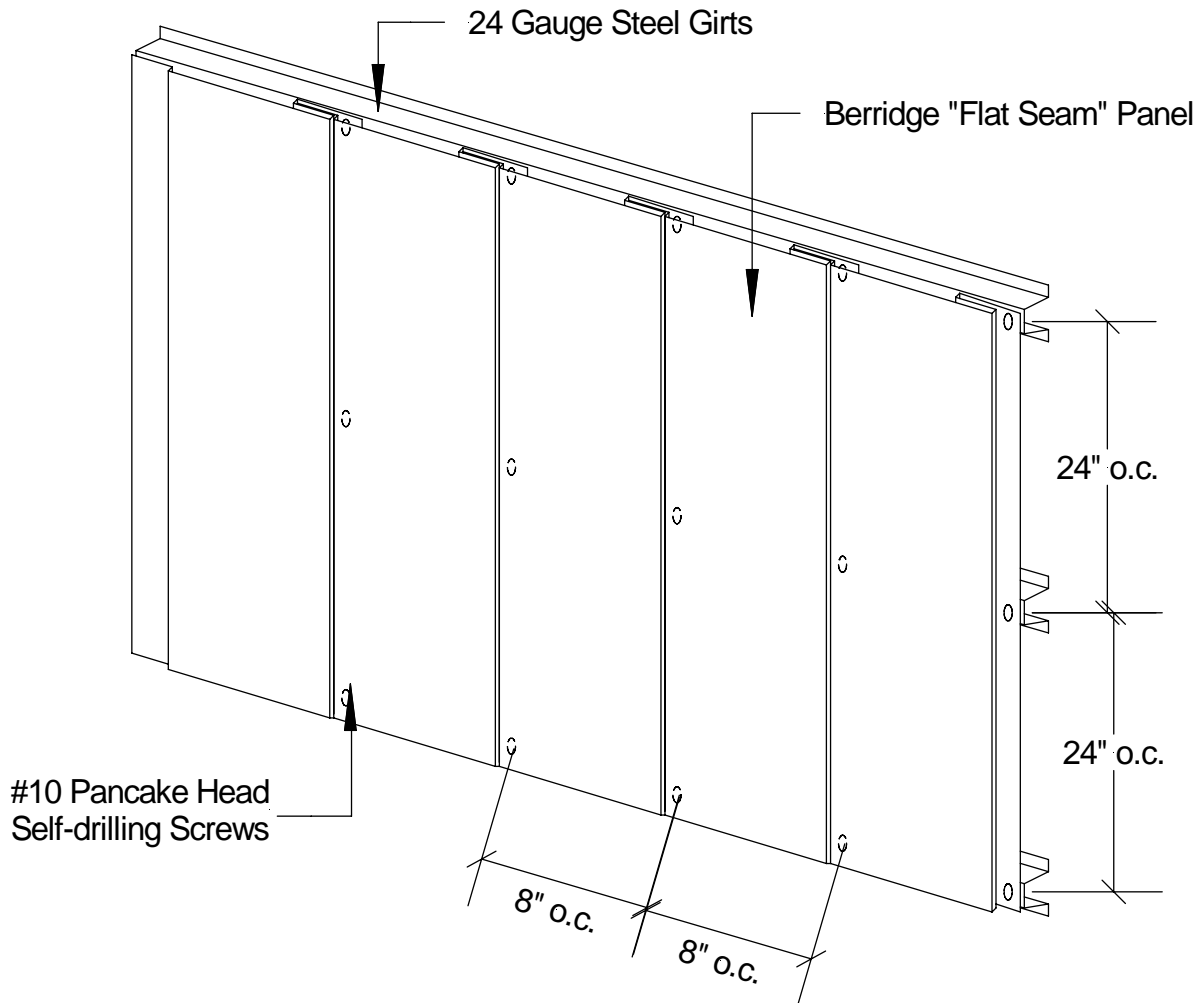
**Typical Assembly Profile View
(Typical Fastening Pattern Along Girts - Interior)**

C-BUCK Engineering

Specialty Structural Engineering

CBUCK, Inc. Florida Certificate of Authorization # 8064

Installation Method Berridge Manufacturing Company "Flat Seam" (24 Ga.) Wall Panel Attached to Steel Girts



Typical Assembly Isometric View (Exterior)