

PRODUCT DESCRIPTION

NO.003-98

EMBOSSMENT OF METAL PANELS

Berridge Manufacturing Company sells its popular Flush Seam wall, soffit and fascia panel with a standard embossed surface which provides uniform reflectivity. Embossing on other panels or coil material is also available.

Berridge Manufacturing Company does not recommend the use of embossed material on roof panels. The embossed texture tends to hold dirt and moisture on the panel surfaces. The small indentations created by the embossing process on low-slope roof panels will accumulate moisture and other atmospheric pollutants. Natural rainfall runoff will not clean such embossed surfaces as well as smooth panel surfaces.

For this reason, some paint suppliers may not honor their finish warranties on embossed materials used on low-slope roof panel applications. Thus, an embossed roof panel warranty may not be honored in the event of failure of the finish.

No architectural metal roofing is totally free of a certain degree of waviness, which is sometimes referred to as "oil-canning", as an alternative to embossed texture Berridge now offers its "rigid profile texture" texturing on the popular Cee-Lock, Zee-Lock, and High Seam Tee-Panel standing seam roof panels. This texturing method is shown in Figure 1 below. By introducing just a hint of corrugation or texturing into the flat architectural metal pans, this texturing method effectively removes or hides loose spots or distortions caused by mill camber or other minor imperfections.

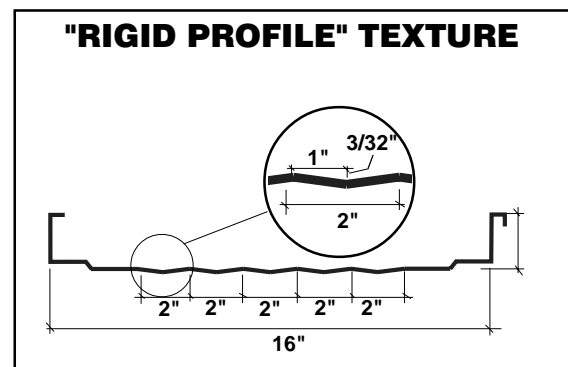


Fig.1

EMBOSSMENT OF METAL ROOF PANELS
Berridge Manufacturing Company



Moisture & Thermal Protection:
Metal Roofing & Siding Products



BERRIDGE MANUFACTURING COMPANY

1720 MAURY STREET / HOUSTON, TEXAS / 77026 / (713) 223-4971 / 1-800-231-8127 / FAX 713-236-9422