

INDEX	RS-1
OVERVIEW	RS-2
EAVE, GABLE AND ROOF STACK DETAILS	PAGE 2
VALLEY, HIP, GABLE AND RIDGE DETAILS	PAGE 3
INSTALLATION INSTRUCTIONS	PAGE 4



**Berridge
Manufacturing Co.**

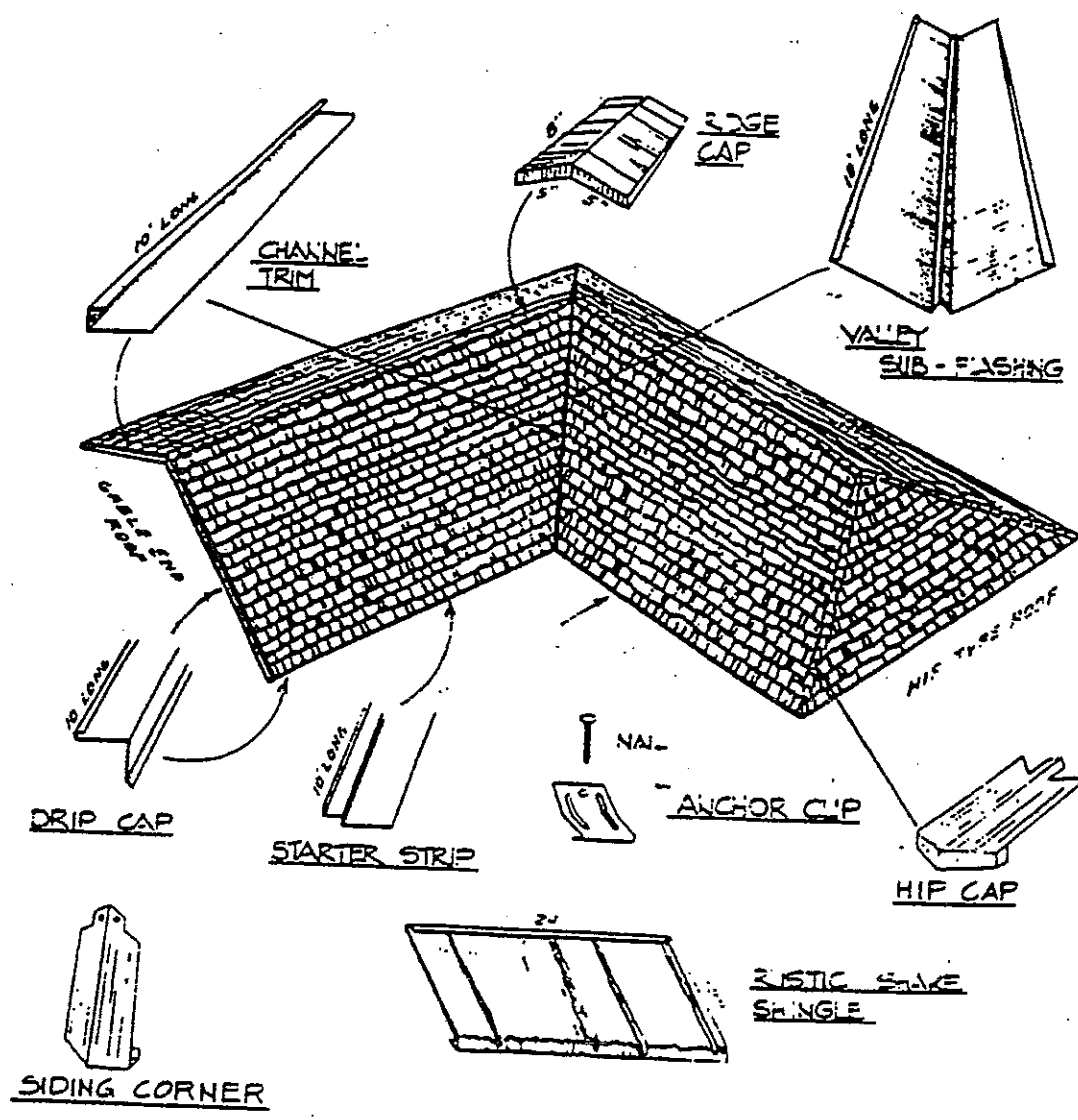
Roofs of Distinction

INDEX

DATE
8/8/81

RUSTIC SHAKES

RS-1



**Berridge
Manufacturing Co.**

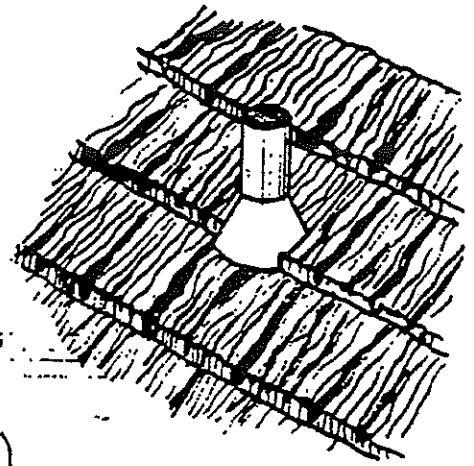
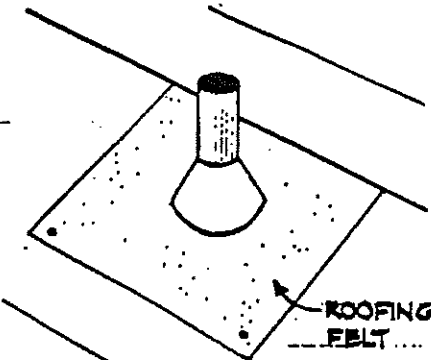
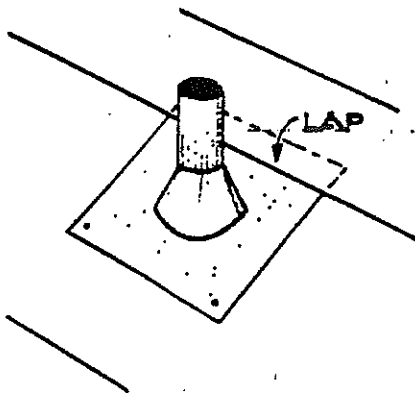
Roofs of Distinction

OVERVIEW

DATE
9/8/81

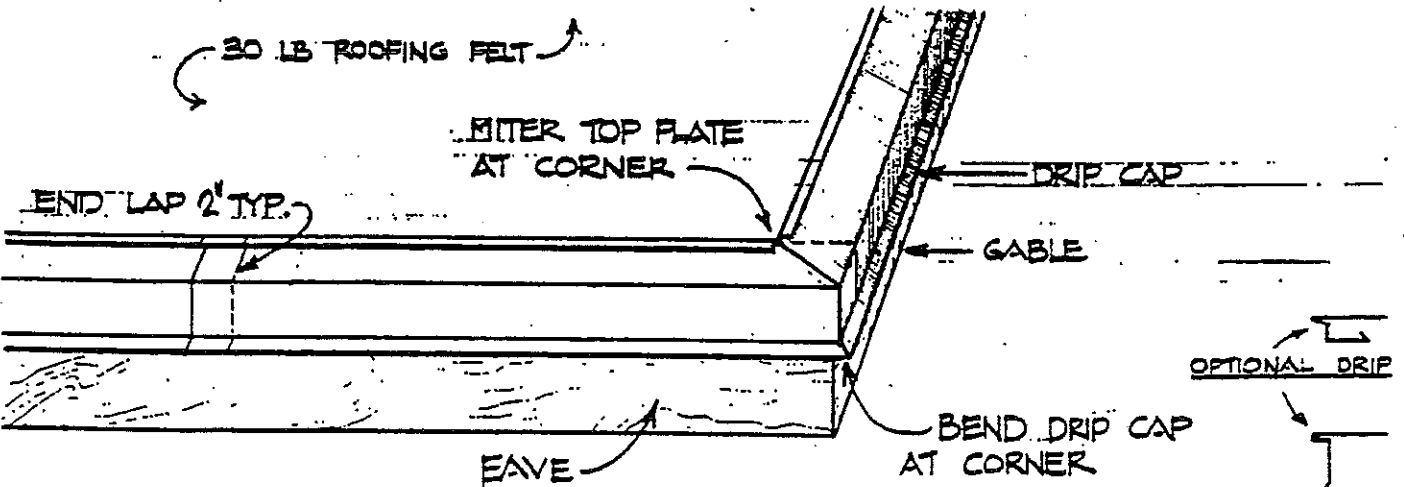
RUSTIC SHAKES

RS-2



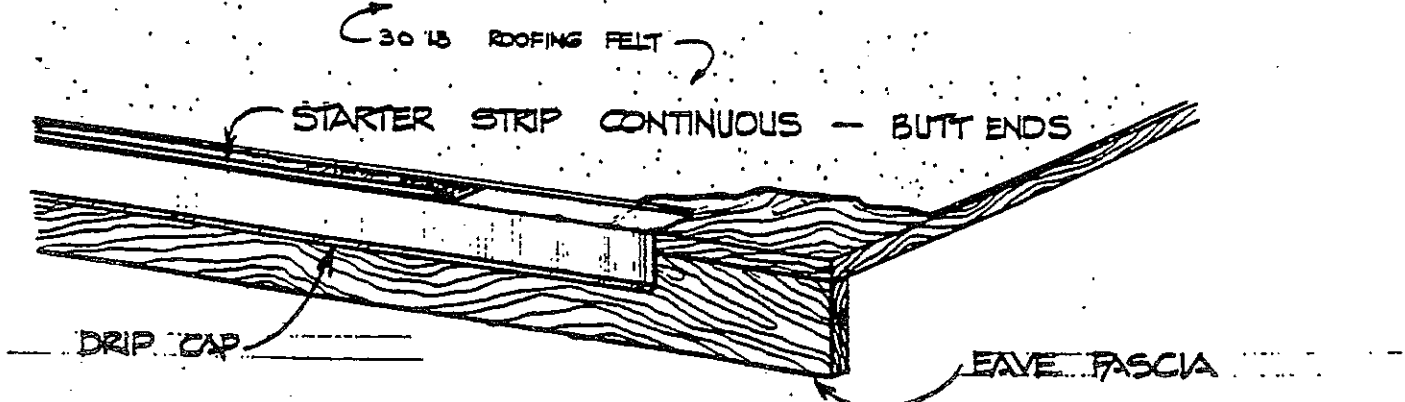
DETAIL 1

(CONTACT BERRIDGE MFG. CO. FOR FELTING INSTRUCTIONS)



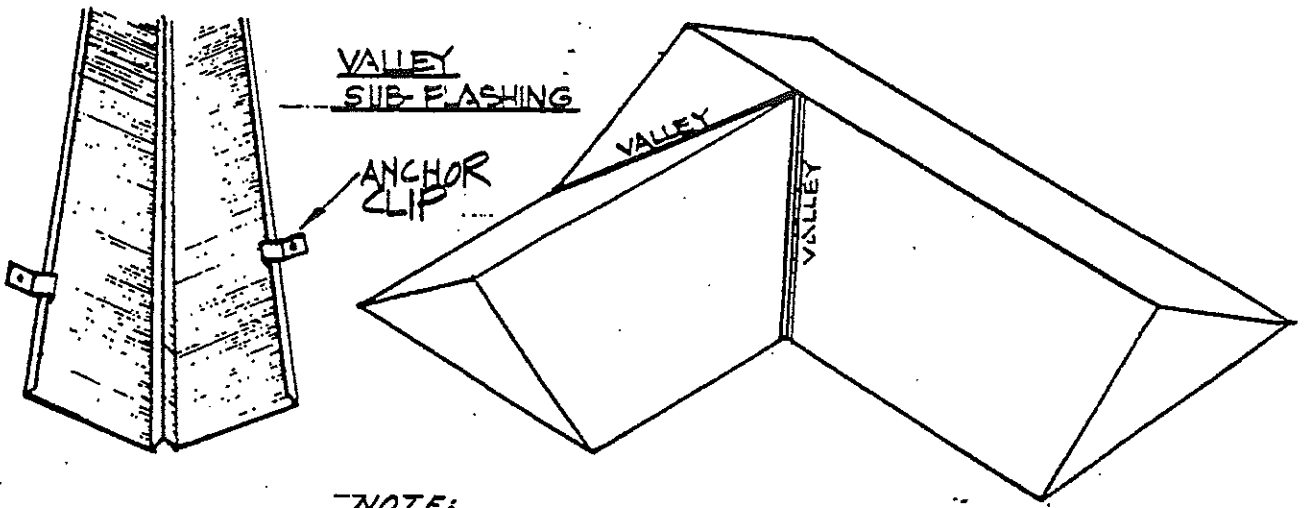
DETAIL 2

ELIMINATES 2 PC. STARTER



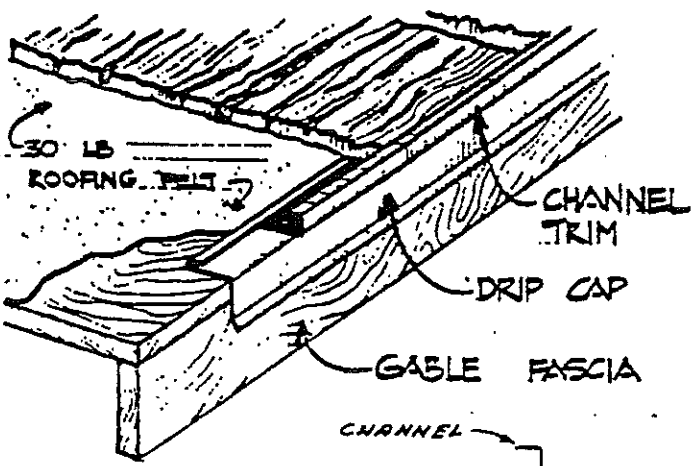
NOTE: 2-PIECE STARTER SHOWN.

DETAIL 3

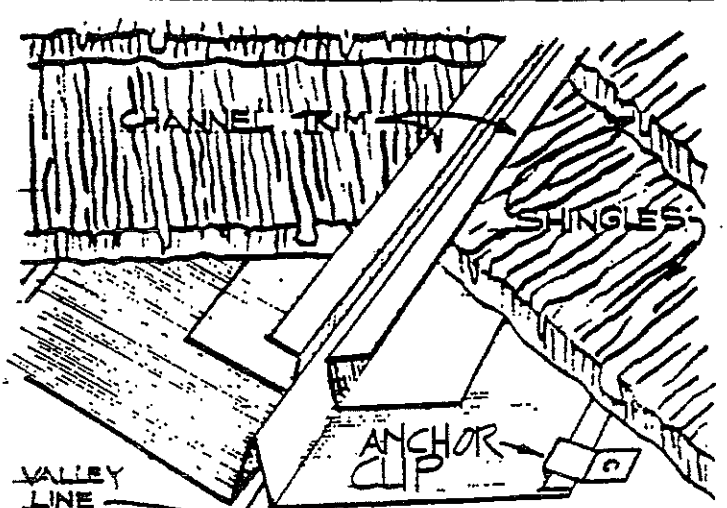


DETAIL 4

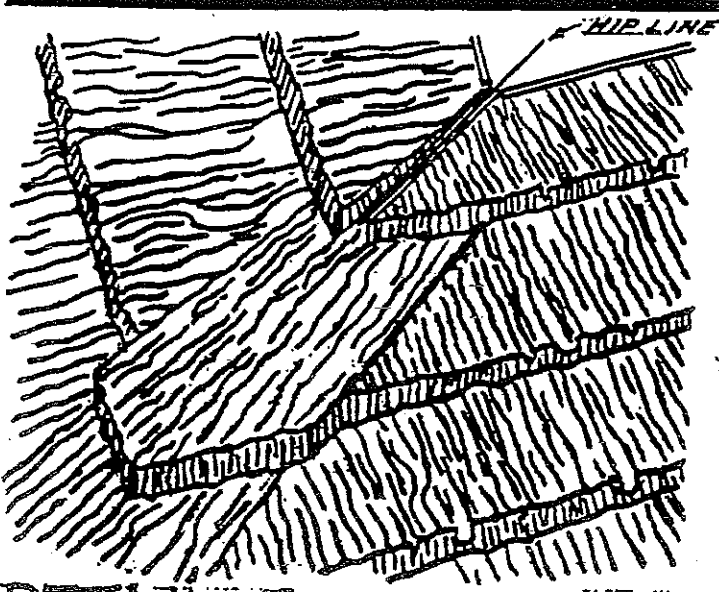
NOTE:
NO NAILS ALLOWED THRU
VALLEY SUB-FLASHING



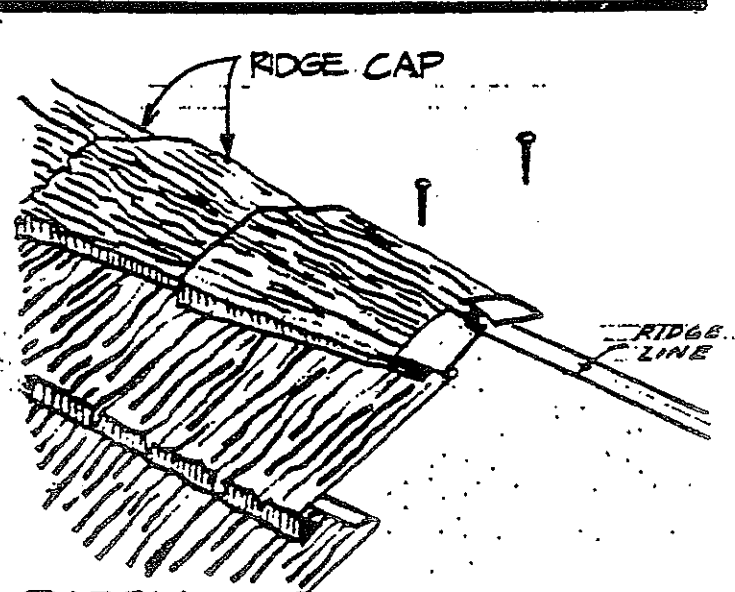
DETAIL 5



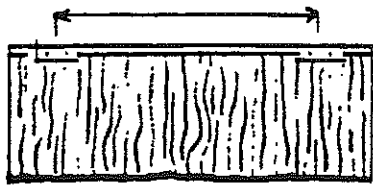
DETAIL 6



DETAIL 7

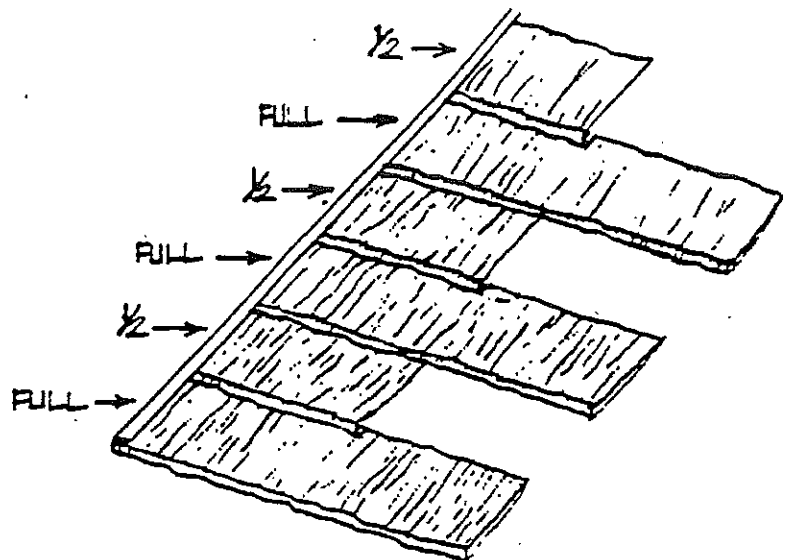


DETAIL 8



ANCHOR CLIP SPACING

NOTE: ARRANGEMENT OF SHINGLES TO THE RIGHT NEED NOT BE FOLLOWED BUT IS RECOMMENDED FOR A DISTINCTIVE ROOF.



JOINTS OF SHAKES SHOULD NOT LINE UP.

DETAIL 9

INSTALLATION INSTRUCTIONS:

1. Clean roof surface of all objects which may puncture or tear underlayment. Cover entire roof area with an asphalt saturated felt (laid parallel to the eave) weighing not less than 30 pounds per square, with all horizontal and end joints lapped not less than 6".
2. Attach Roof-Jacks directly to roofing felt. Lap felt over top of base. Insulate between dissimilar metals with roofing felt. Cut shingles to fit and seal around edge with roof sealant. Detail #1.
3. Install drip cap continuous around roof perimeter at eave and gable. Lap ends a minimum of 1" and nail every 24 inches on center. Miter top piece of drip cap at corners. See Detail #2.
4. Install starter strip continuous at eave. Insert back edge into flange of drip cap, nails every 16 inches on center. See Detail #3. (Omit this step if either of the optional drip caps are used as they are the drip and starter combined.)
5. Install valley sub-flashing continuous at valley. Start at lower end of sub-flashing and lap joints a minimum of 6 inches. Attach with anchor clips at 18" O.C. to hold in place. Nail at top only under splice.
6. Install channel trim continuous at gable and each side of sub-flashing in valley. Do not nail channels in valley. See Details #5 & #6.
7. Install shingles - start at lower left eave corner and randomly stagger shingle lengths as shown. See Details #9. Use two anchor clips per full shingles and never less than two anchor clips per partial shingle.
8. When shingles reach hips, trim the shingle at the hip line so that it will be a minimum of 1/2" from the shingle on the opposite side of hip. Install mitered hip cap as each row is completed. See Detail #7. At ridge install shingles to a minimum of 2" from ridge line. If shingle overlaps ridge line, bend it over ridge on top of opposite shingle. See Detail #8.
9. Install inter-locking ridge caps continuously along all ridges. Exposed ridge cap coverage is 8 inches.
10. Clean up scrap and boxes from jobsite.