

INDEX	VC-0
INSTALLATION INSTRUCTIONS	VCI-1
INSTALLATION INSTRUCTIONS	VCI-2
INSTALLATION INSTRUCTIONS	VCI-3
INTRODUCTION TO TYPICAL DETAILS	VC-2
OVERVIEW VICTORIAN SHINGLE	VS-5
OVERVIEW CLASSIC SHINGLE	CS-5
EAVE DETAIL	VC-10
RIDGE AND HIP DETAIL	VC-20
SHED ROOF RIDGE CAP DETAIL	VC-21
RIDGE TERMINATION AT DORMER VALLEY	VC-22
GABLE DETAIL	VC-30
PARAPET DETAIL	VC-40
HEAD WALL DETAIL	VC-41
HEAD WALL DETAIL	VC-42
RAKE WALL DETAIL	VC-50
RAKE WALL DETAIL	VC-51
SLOPE TRANSITION DETAIL	VC-60
VALLEY DETAIL	VC-70
PIPE PENTRATION 4" DIA. OR LESS	VC-80
ROOF PENETRATION RECTANGULAR/SQUARE	VC-81
ROOF PENETRATION SECTION DETAIL	VC-82
ROOF PENETRATION SECTION DETAIL	VC-83
ROOF PENETRATION SECTION DETAIL	VC-84



**Berridge  
Manufacturing  
Company**

*Roofs of Distinction*

## INDEX

DATE: 05/02/02

**VICTORIAN OR CLASSIC SHINGLE**

PAGE\FILE

**VC-0**

- A. BERRIDGE VICTORIAN AND CLASSIC SHINGLE:  
BERRIDGE VICTORIAN AND CLASSIC SHINGLES HAVE AN EXPOSURE OF 9" x 12".
- B. MINIMUM SLOPE: THE VICTORIAN AND CLASSIC SHINGLES ARE RECOMMENDED FOR SLOPES OF 3:12 OR GREATER.
- C. MATERIAL STORAGE: CAUTION MUST BE EXERCISED IN STORAGE OF MATERIALS PRIOR TO INSTALLATION. KEEP ALL BERRIDGE PREFINISHED MATERIAL IN A DRY LOCATION WITH ADEQUATE VENTILATION AND OUT OF DIRECT SUNLIGHT.

EXPOSURE TO DIRECT SUNLIGHT AND/OR MOISTURE MAY CAUSE THE FACTORY APPLIED STRIPPABLE PLASTIC FILM TO ADHERE TO THE METAL PERMANENTLY AND DISCOLOR THE FINISH.

- D. STRIPPABLE FILM: THE STRIPPABLE PLASTIC FILM WHICH IS APPLIED OVER MOST BERRIDGE PREFINISHED PRODUCTS, PANELS, FLASHINGS, COILS AND FLAT SHEETS PROTECTS THE FINISH DURING FABRICATION AND TRANSIT. THIS FILM MUST BE REMOVED PRIOR TO INSTALLATION.
- E. SOLID SHEATHING REQUIREMENTS: BERRIDGE MANUFACTURING COMPANY RECOMMENDS THE USES OF A MINIMUM OF 1/2" SOLID WOOD SHEATHING TO PROVIDE SUFFICIENT HOLDING POWER FOR FASTENERS. CONTACT BERRIDGE MANUFACTURING'S ENGINEERING DEPARTMENT FOR USE OF ANY OTHER TYPE OF SOLID SHEATHING.
- F. SHEATHING INSPECTION:

- 1. SHEATHING END JOINTS SHOULD BE STAGGERED.
- 2. ALL END JOINTS SHOULD MEET AT EITHER A JOIST OR RAFTER.
- 3. BLOCKING OR "H" CLIPS SHOULD BE USED ON PLYWOOD IF JOINTS DO NOT REMAIN FLAT UNDER THE WEIGHT OF WORKMEN.
- 4. USE SHIMS TO KEEP ENTIRE SUBSTRATE EVEN. SUBSTRATE SHOULD BE LEVEL TO 1/4" IN 20'-0".
- 5. ALL CUTS AT PENETRATIONS SHOULD BE TIGHT, WITHOUT GAPS.
- 6. USE WOOD FRAMED CRICKETS AT LARGE PENETRATIONS.
- 7. MAKE SURE SUBSTRATE JOINTS ARE TIGHT AT ALL HIPS, VALLEYS AND RIDGES.

G. FASCIA/RAKE INSPECTION:

- 1. STRIKE A LINE THE FULL LENGTH OF THE FASCIA OR RAKE. IF NOT STRAIGHT, CORRECT WITH SHIMS.
- 2. MAKE SURE FASCIA/RAKE IS FLUSH WITH ROOF SUBSTRATE SHEATHING.



INSTALLATION  
INSTRUCTIONS

VICTORIAN OR CLASSIC SHINGLE

DATE: 05/02/02

PAGE\FILE  
VCI-1

H. FELT UNDERLAYMENT: A SINGLE LAYER OF NUMBER THIRTY FELT UNDERLAYMENT (OR EQUAL) MUST BE APPLIED OVER SOLID SHEATHING AS SHOWN IN THE BERRIDGE MANUFACTURING COMPANY TYPICAL FELTING DETAILS. THE USE OF ADDITIONAL LAYERS OF NUMBER THIRTY FELT IS RECOMMENDED ON LOW-SLOPED ROOFS, AT ALL VALLEY CONDITIONS, AT ROOF PENETRATIONS, AND CERTAIN OTHER FLASHING CONDITIONS AS DEPICTED IN THE VICTORIAN AND CLASSIC TYPICAL DETAILS. GRACE ICE AND WATER SHIELD MAYBE REQUIRED ON LOW SLOPED ROOFS OR AT CERTAIN FLASHING CONDITIONS.

I. FELTING INSTALLATION:

1. DO NOT USE RED ROSIN PAPER UNDER METAL ROOFING PANELS.
2. SWEEP ROOF AREA CLEAN.
3. USE FLAT HEAD GALVANIZED ROOFING NAILS x 1-1/4" LONG WITH BERRIDGE GALVANIZED FELT CAPS.
4. INSTALL VALLEY FELT FIRST.
5. INSTALL FELT PARALLEL TO EAVE (2 LAYERS REQUIRED AT EAVE), STARTING AT EAVE AND USING MINIMUM 6" LAPS. USE TWO LAYERS OF FELT ON ENTIRE ROOF DECK IF ROOF SLOPE IS 3:12 . 2 LAYERS REQUIRED AT EAVE REGARDLESS OF SLOPE.
6. INSULATE BETWEEN WOOD BLOCKING AND METAL WITH FELT OR ICE AND WATER SHIELD.

J. ELECTROLYSIS: AVOID ALLOWING FLASHING AND PANELS TO COME INTO CONTACT WITH EITHER LEAD OR COPPER, AND PREVENT EXPOSURE TO WATER RUNDOWN FROM COPPER AND/OR LEAD.

K. FLASHING: IF BERRIDGE MANUFACTURING COMPANY IS TO SUPPLY FLASHING, ALL FLASHINGS WILL BE FABRICATED IN 10'-0" LENGTHS WITH SQUARE END CUTS ONLY. THE PURCHASER MUST PROVIDE ALL DIMENSIONS AND DEGREE OF ANGLES.

L. FLASHING INSTALLATION:

1. REMOVE STRIPPABLE PLASTIC FILM FROM ALL FLASHINGS PRIOR TO INSTALLATION.
2. ALWAYS STAGGER JOINTS WHEN ONE FLASHING IS INSTALLED OVER OTHER FLASHINGS.
3. INSTALL ALL FLASHINGS AS PER BERRIDGE TYPICAL DETAILS.
4. ALL FLASHINGS ARE TO BE DESIGNED AND INSTALLED TO NOT TRAP WATER.

M. SHINGLE INSTALLATION:

1. REMOVE STRIPPABLE PLASTIC FILM FROM EACH SHINGLE PRIOR TO INSTALLATION.
2. START AT LOWER LEFT EAVE CORNER AND STAGGER AS SHOWN ON DETAIL VS-5 & CS-5.
3. USE CHALK LINES TO KEEP SHINGLES STRAIGHT.

DATE: 05/02/02

# INSTALLATION INSTRUCTIONS

PAGE\FILE

VCI-2

## VICTORIAN OR CLASSIC SHINGLE



**Berridge  
Manufacturing  
Company**

*Roofs of Distinction*

4. SHINGLES INTERLOCK AT SIDE LAP AND OVERLAP FROM COURSE TO COURSE.
5. WHEN SHINGLES REACH THE VALLEY OR HIP TRIM THE SHINGLES SO THAT THEY FIT TIGHT INTO J-CLIPS.
6. TRIM SHINGLES AS NECESSARY AT THE RIDGE SO THAT THE BOTTOM EDGE OF THE SHINGLE FOLLOWS THE PATTERN OF THE OTHER SHINGLES AND THE TOP OF THE SHINGLE FITS TIGHT IN THE J-CLIP.

N. FASTENERS: NAIL SHINGLES THRU LOCK SEAM WITH A MINIMUM OF (2) 1-1/4" GALVANIZED ROOFING NAILS.

MAKE SURE ALL FASTENERS ARE DRIVEN STRAIGHT AND SET FLAT. DO NOT OVERDRIVE FASTENERS, AS THIS WILL CAUSE BUCKLING OF SHINGLES.

O. SEALANT RECOMMENDATIONS: TREMCO INC. SPECTREM 1 OR EQUAL.  
DO NOT USE CLEAR CAULK.

\*\* CONSULT BERRIDGE MANUFACTURING'S ENGINEERING DEPARTMENT REGARDING THE USE OF ANY OTHER TYPE OF FASTENER.

BERRIDGE MANUFACTURING COMPANY STRIVES TO PROVIDE ITS CUSTOMERS WITH THE HIGHEST QUALITY STRETCHER LEVELED STEEL AVAILABLE. THE LATEST TECHNOLOGY IS ALSO INCORPORATED IN BERRIDGE'S HIGH-PRECISION COIL HANDLING AND ROLL FORMING EQUIPMENT TO MINIMIZE THE STRESS ON METAL DURING PRODUCTION. FURTHERMORE, BERRIDGE UTILIZES HEAVIER 24 GAUGE METAL RATHER THAN 26 GAUGE STEEL OR LIGHT GAUGE ALUMINUM AS OFFERED BY MANY COMPETITORS. ALL THESE MEASURES HAVE BEEN TAKEN TO MINIMIZE THE AMOUNT OF "OIL-CANNING" (WAVINESS) WHICH IS NATURALLY INHERENT IN FLAT SHEET METAL. MANY TIMES, HOWEVER, THE CAUSE OF WAVINESS OR "OIL-CANNING" CAN BE TRACED TO UNEVEN SHEATHING, IMPROPER FELT INSTALLATION, IMPROPER HANDLING, OR FOOT TRAFFIC ON THE PANELS.

ALL ARCHITECTURAL PRODUCTS REQUIRE CARE IN HANDLING AND INSTALLATION TO AVOID DAMAGING OR DEFORMING THE PANELS.

THESE INSTALLATION INSTRUCTIONS AND THE FOLLOWING TYPICAL DETAILS ARE INTENDED TO PROVIDE OUR CUSTOMERS WITH THE INFORMATION REQUIRED FOR AN AESTHETICALLY PLEASING AND FUNCTIONAL INSTALLATION OF THE BERRIDGE TEE-PANEL SYSTEM.

NOTE: ALL PRODUCTS, SPECIFICATIONS, DETAILS, AND INSTRUCTIONS SUBJECT TO CHANGE WITHOUT NOTICE. FOR SPECIFIC PROJECT DETAILS, CONTACT BERRIDGE.



**Berridge  
Manufacturing  
Company**

## INSTALLATION INSTRUCTIONS

**VICTORIAN OR CLASSIC SHINGLE**


DATE: 05/02/02

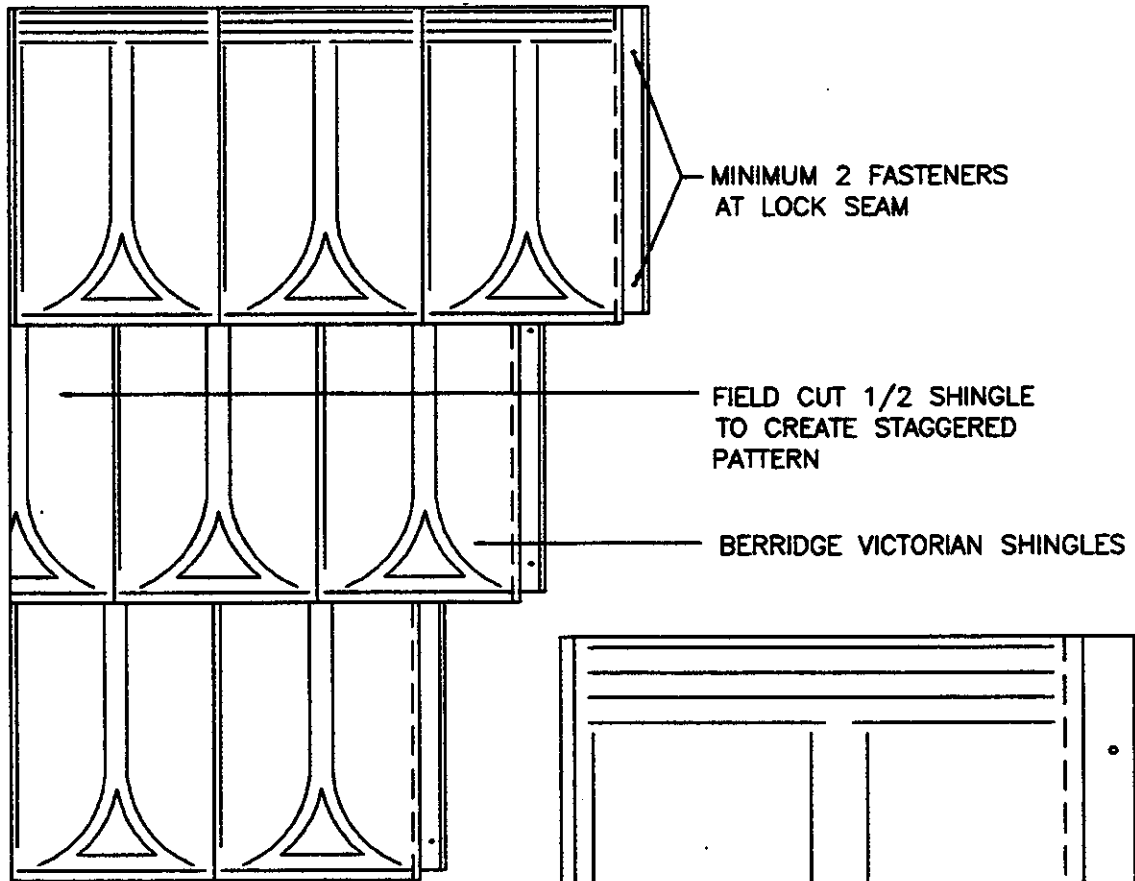
PAGE\FILE  
**VCI-3**

THE DETAILS CONTAINED IN THE FOLLOWING PAGES ARE MERELY RECOMMENDATIONS AS TO HOW BERRIDGE MANUFACTURING MATERIALS SHOULD BE INSTALLED. THEY MAY REQUIRE ADAPTATIONS OR MODIFICATIONS FOR A SPECIFIC PROJECT AS CONDITIONS VARY IN BOTH BUILDING DESIGN AND LOCAL WEATHER PECULIARITIES.

BERRIDGE MANUFACTURING COMPANY SHALL BE HELD HARMLESS FROM ANY AND ALL CLAIMS ARISING FROM LACK OF WATERTIGHTNESS AS A RESULT OF FOLLOWING THESE RECOMMENDED DETAILS. ENSURING WATERTIGHTNESS ON ANY GIVEN PROJECT IS THE FUNCTION OF THE INSTALLER. THE ARCHITECT/GENERAL CONTRACTOR/INSTALLER MUST ACCEPT THE RESPONSIBILITY TO ADAPT THESE DETAILS TO MEET PARTICULAR BUILDING REQUIREMENTS AND TO ASSURE ADEQUATE WATERTIGHTNESS.

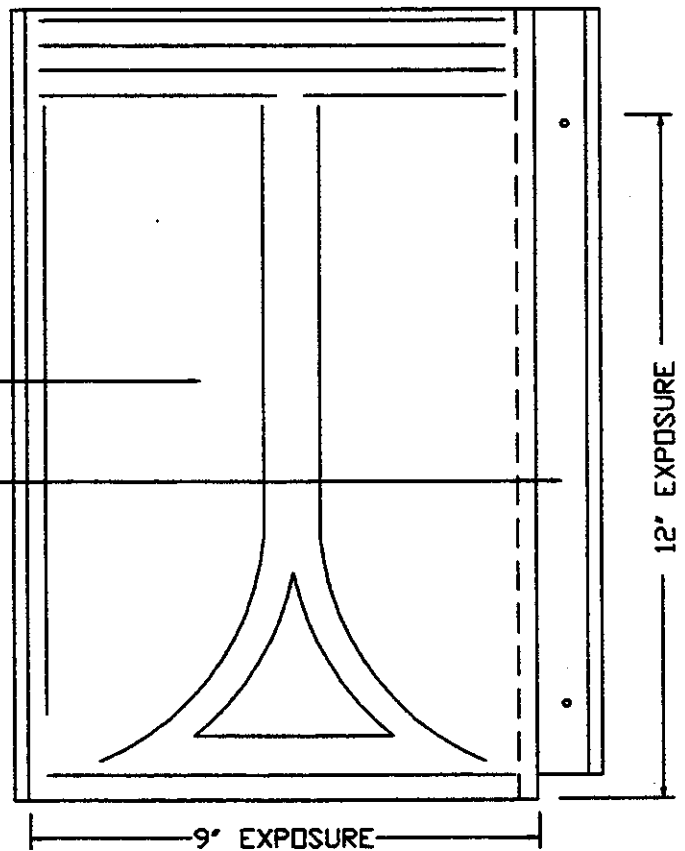
THE INSTALLER CAN VIRTUALLY ASSURE WATERTIGHTNESS IF THESE FLASHING DETAILS HAVE BEEN PROPERLY ADAPTED, ADEQUATE LAPS HAVE BEEN PROVIDED, CORRECT TYPE OF SEALANT USED, ALL JOINTS ADEQUATELY CAULKED, AND PROFESSIONAL WORKMANSHIP EMPLOYED.

 <b>Berridge Manufacturing Company</b>	INTRODUCTION TO TYPICAL DETAILS	DATE: 05/02/02
	<b>VICTORIAN OR CLASSIC SHINGLE</b>	PAGE\FILE <b>VC-2</b>



BERRIDGE VICTORIAN SHINGLE

LOCK SEAM



12' EXPOSURE

9' EXPOSURE



**Berridge  
Manufacturing  
Company**

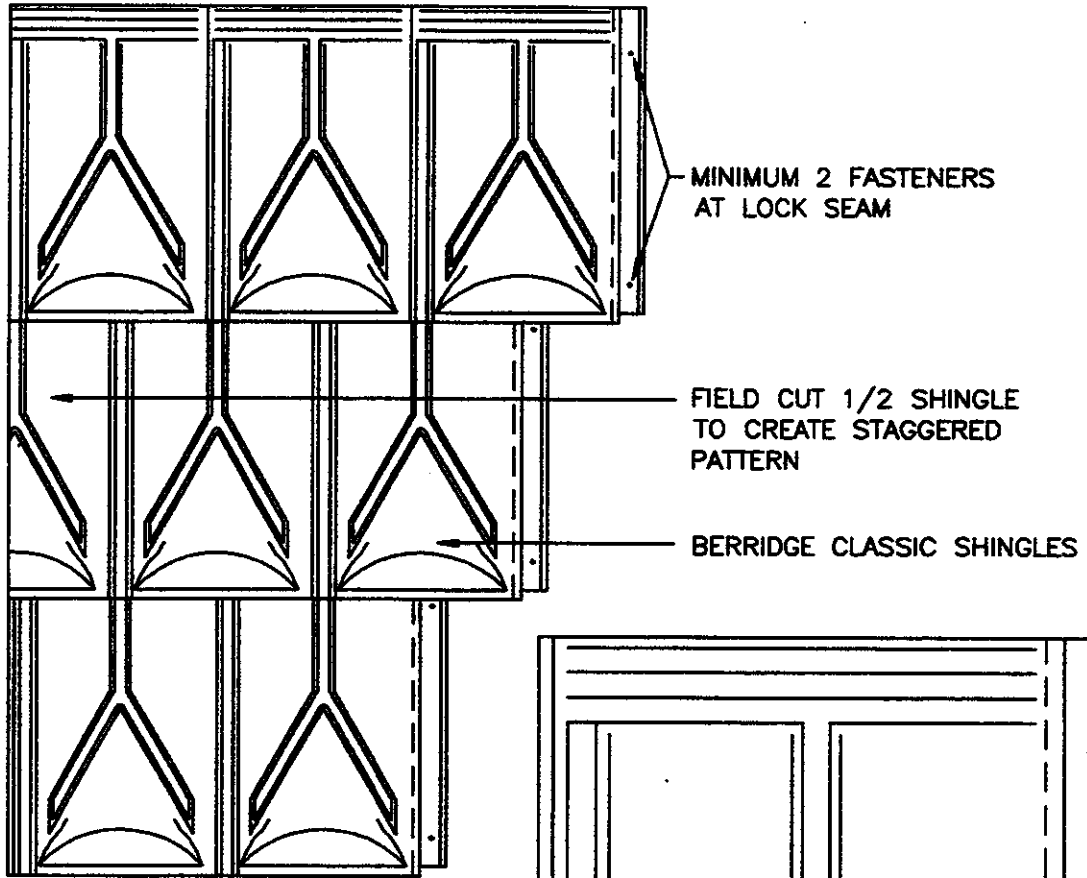
*Roofs of Distinction*

OVERVIEW

**VICTORIAN SHINGLE**

DATE: 05/02/02

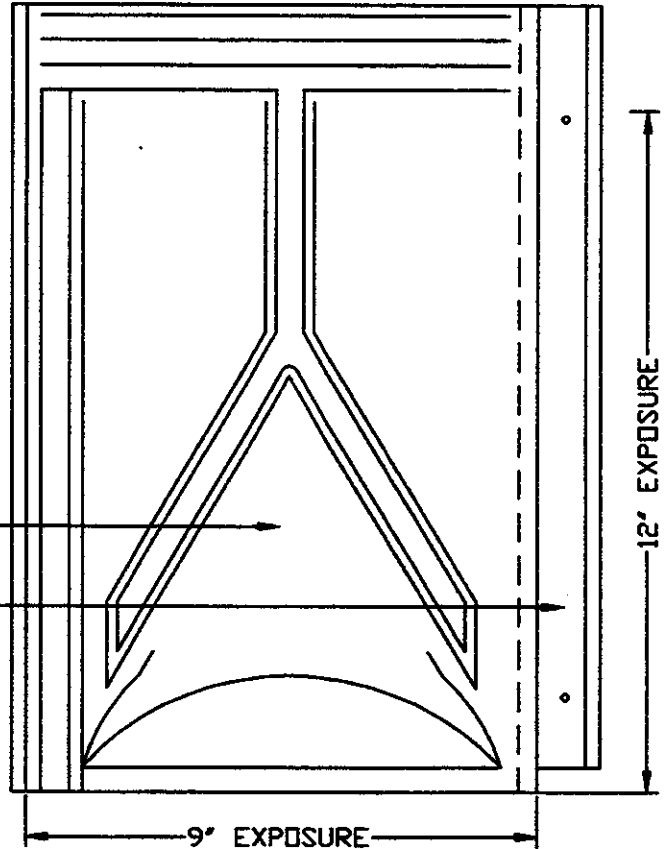
PAGE\FILE  
VS-5



→  
START AT EAVE, WORK  
FROM LEFT TO RIGHT

BERRIDGE CLASSIC SHINGLE →

LOCK SEAM →



**Berridge  
Manufacturing  
Company**

*Roofs of Distinction*

OVERVIEW

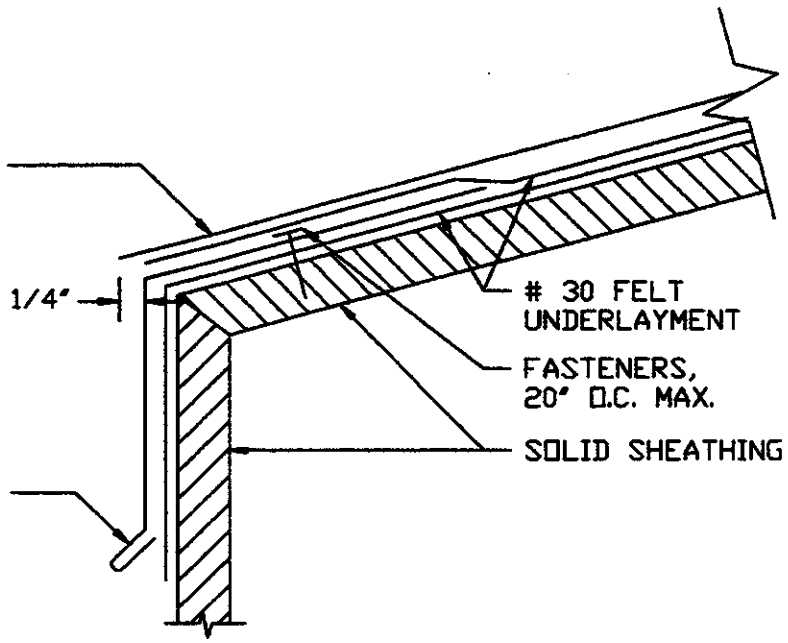
DATE: 05/02/02

**CLASSIC SHINGLE**

PAGE\FILE

CS-5

BERRIDGE VICTORIAN OR CLASSIC SHINGLE



DRIP FLASHING; 4" END LAPS WITH CONTINUOUS CAULK AT LAPS

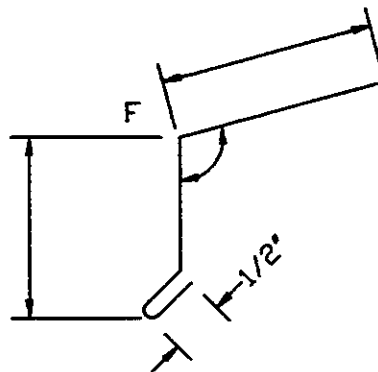
# 30 FELT UNDERLAYMENT

FASTENERS, 20" O.C. MAX.

SOLID SHEATHING

1. SOLID SHEATHING (BY OTHERS) TO BE MINIMUM 1/2" PLYWOOD OR EQUIVALENT IN STRENGTH FOR HOLDING POWER OF FASTENERS.
2. ALL FELT UNDERLAYMENT, CAULKING AND FASTENERS ARE ITEMS TO BE FURNISHED AND INSTALLED BY THE ROOFING INSTALLER AT THE DISCRETION OF THE ARCHITECT.

F = FINISH SIDE



DRIP FLASHING



**Berridge  
Manufacturing  
Company**

EAVE DETAIL

VICTORIAN OR CLASSIC SHINGLE

DATE: 05/02/02

PAGE\FILE  
VC-10

RIDGE/HIP CAP: 4" END LAPS WITH  
CONTINUOUS CAULK AT LAPS.  
POP RIVET TO ZEE CLOSURE  
40" O.C. MAX. CAULK RIVET HEADS

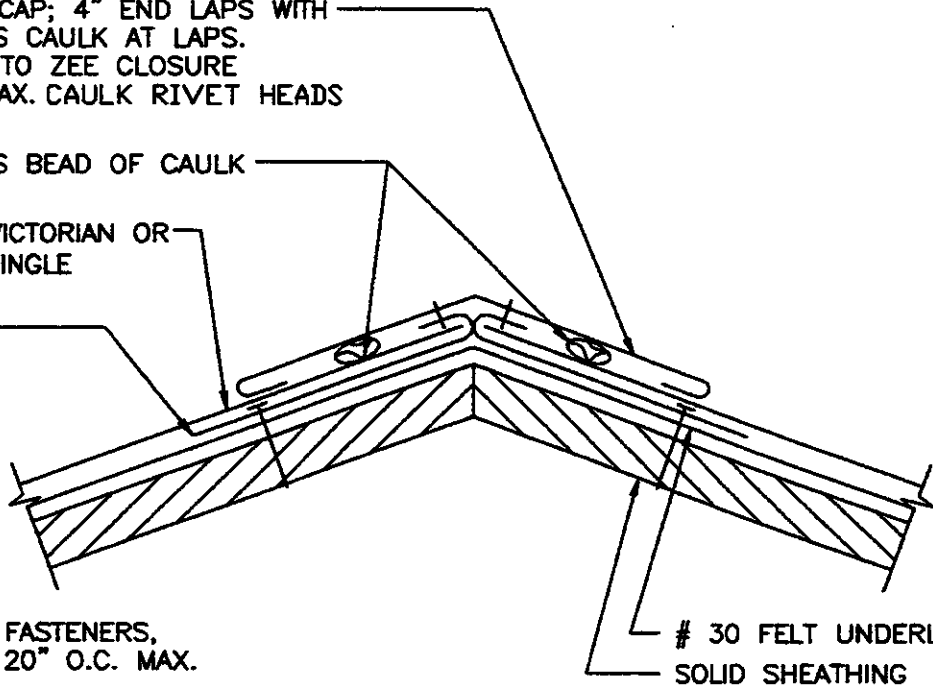
CONTINUOUS BEAD OF CAULK

BERRIDGE VICTORIAN OR  
CLASSIC SHINGLE

J-CLIP

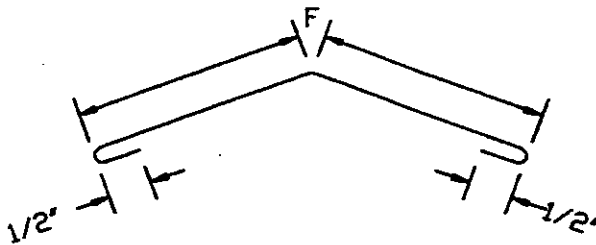
FASTENERS,  
20" O.C. MAX.

# 30 FELT UNDERLAYMENT  
SOLID SHEATHING

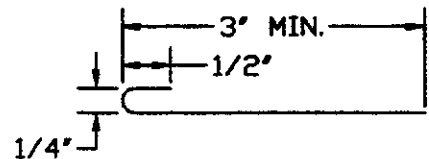


1. SOLID SHEATHING (BY OTHERS) TO BE MINIMUM 1/2" PLYWOOD OR EQUIVALENT IN STRENGTH FOR HOLDING POWER OF FASTENERS.
2. ALL FELTING UNDERLAYMENT, CAULKING, AND FASTENERS, ARE ITEMS TO BE FURNISHED AND INSTALLED BY THE ROOFING INSTALLER AT THE DISCRETION OF THE ARCHITECT.

F = FINISH SIDE



RIDGE/HIP CAP



J-CLIP



**Berridge  
Manufacturing  
Company**

RIDGE AND HIP DETAIL

DATE: 05/02/02

VICTORIAN OR CLASSIC SHINGLE

PAGE\FILE

VC-20

SHED RIDGE CAP; 4" END LAPS WITH  
CONTINUOUS CAULK AT LAPS, POP RIVET TO  
J-CLIP AT 40" O.C. MAX. CAULK RIVET HEADS

CONTINUOUS BEAD OF CAULK

J-CLIP

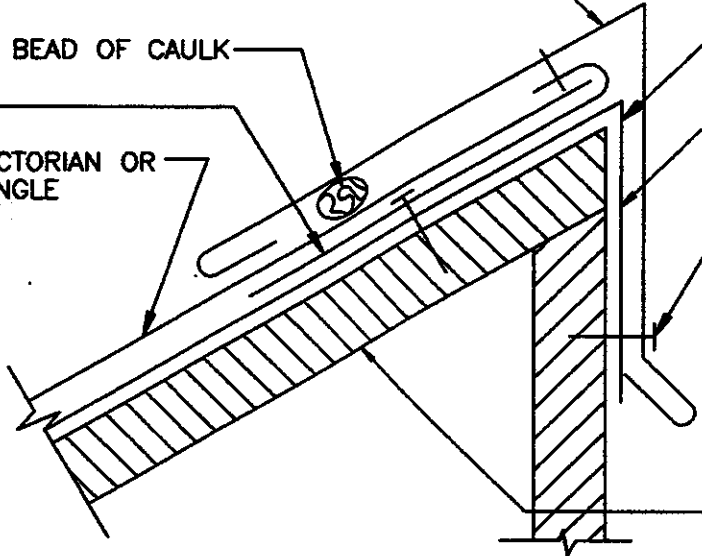
BERRIDGE VICTORIAN OR  
CLASSIC SHINGLE

# 30 FELT  
UNDERLAYMENT

LAP FELT OVER RIDGE

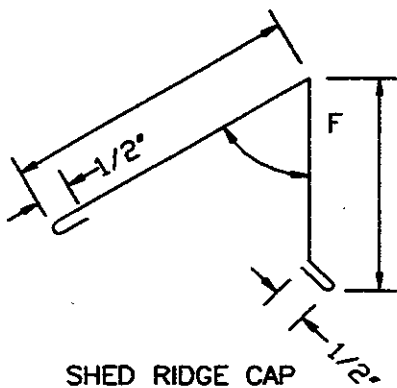
FASTENERS; 40" O.C.  
MAX. CAULK  
FASTENER HEAD

SOLID SHEATHING



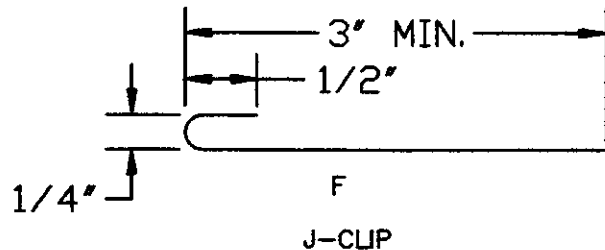
1. SOLID SHEATHING (BY OTHERS) TO BE MINIMUM 1/2" PLYWOOD OR EQUIVALENT IN STRENGTH FOR HOLDING POWER OF FASTENERS.

2. ALL FELT UNDERLAYMENT, CAULKING, AND FASTENERS, ARE ITEMS TO BE FURNISHED AND INSTALLED BY THE ROOFING INSTALLER AT THE DISCRETION OF THE ARCHITECT.



SHED RIDGE CAP

F = FINISH SIDE



J-CLIP

DATE: 05/02/02

SHED ROOF RIDGE CAP DETAIL

PAGE\FILE

VC-21

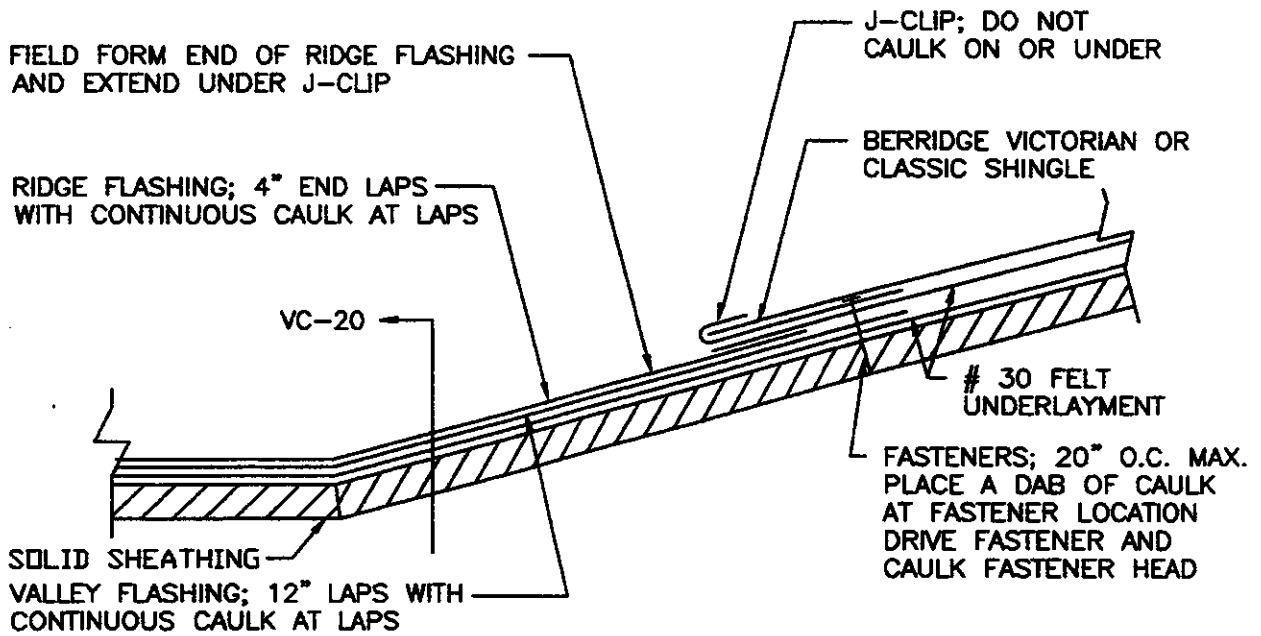
VICTORIAN OR CLASSIC SHINGLE



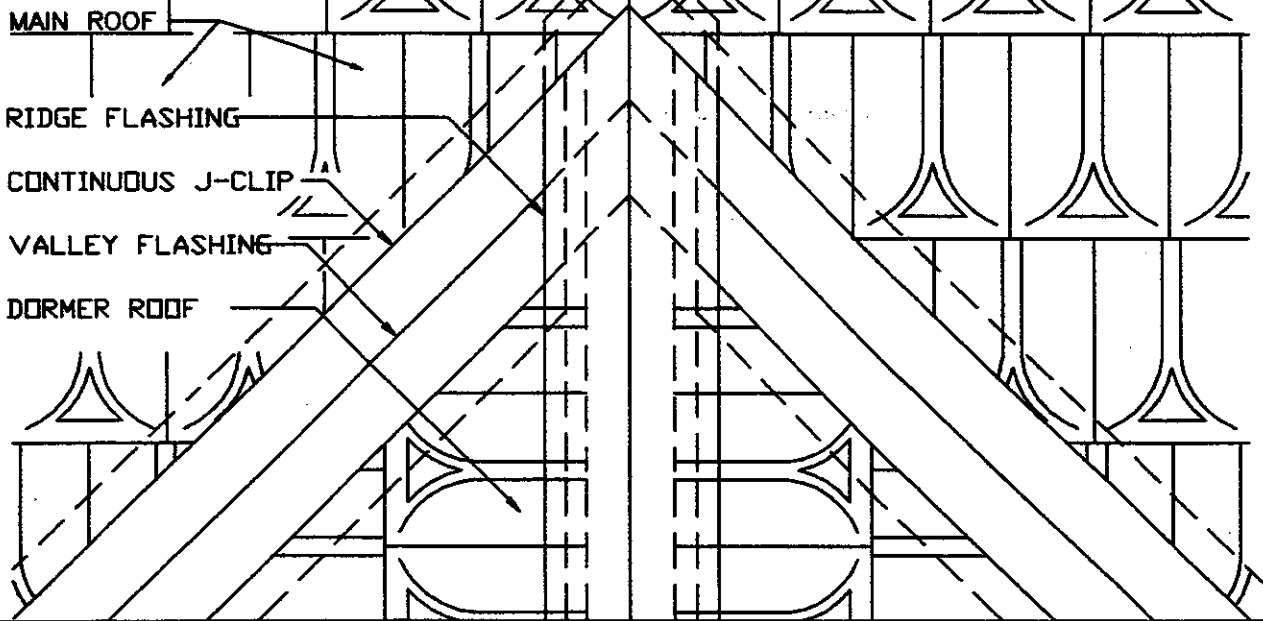
**Berridge**  
Manufacturing  
Company

*Roofs of Distinction*

SECTION VIEW



PLAN VIEW



**Berridge  
Manufacturing  
Company**

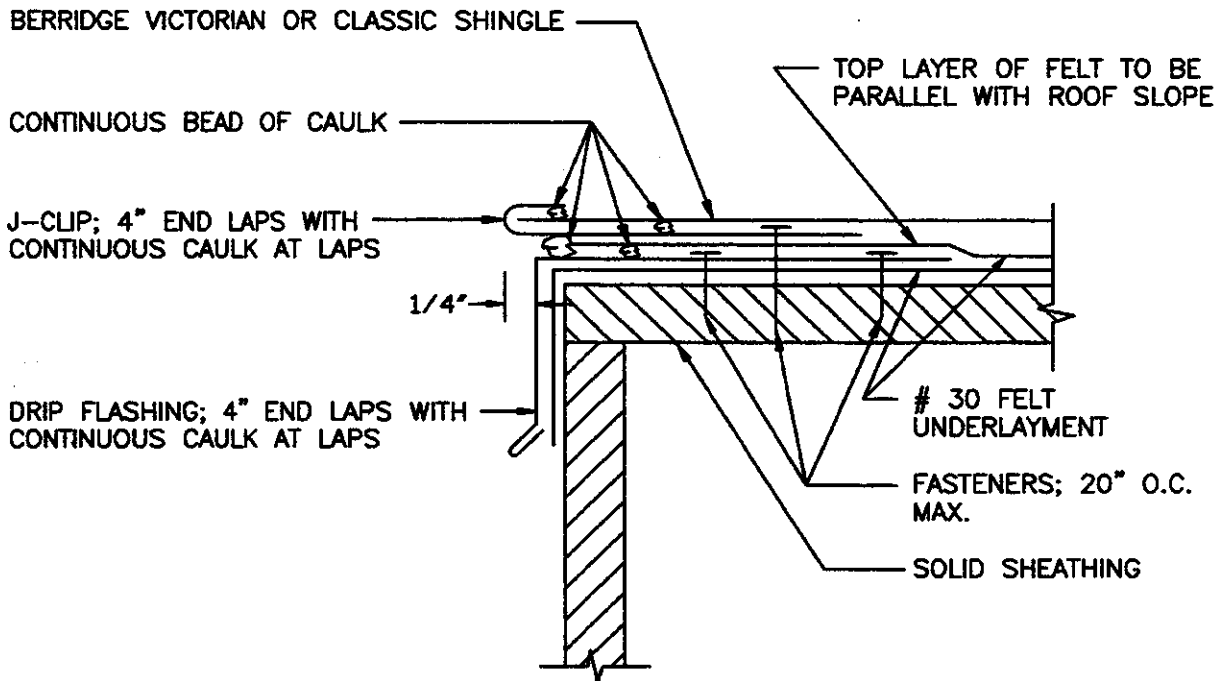
*Roofs of Distinction*

RIDGE TERMINATION  
AT DORMER VALLEY

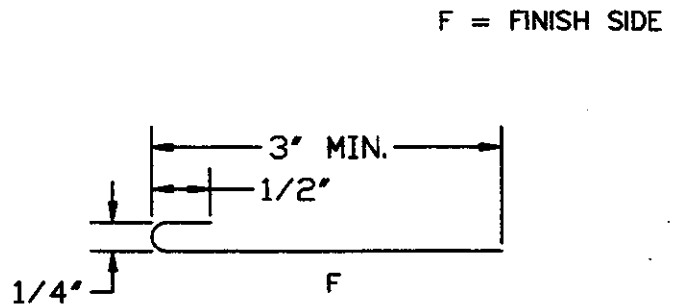
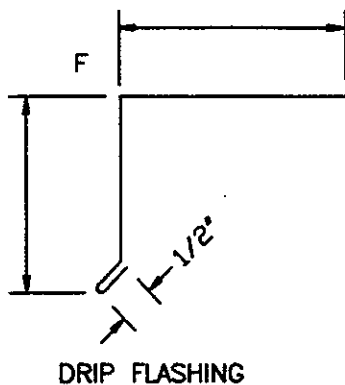
VICTORIAN OR CLASSIC SHINGLE

DATE: 05/02/02

PAGE\FILE  
VC-22



1. SOLID SHEATHING (BY OTHERS) TO BE MINIMUM 1/2" PLYWOOD OR EQUIVALENT IN STRENGTH FOR HOLDING POWER OF FASTENERS.
2. ALL FELT UNDERLAYMENT, CAULKING, AND FASTENERS, ARE ITEMS TO BE FURNISHED AND INSTALLED BY THE ROOFING INSTALLER AT THE DISCRETION OF THE ARCHITECT.



**Berridge  
Manufacturing  
Company**

## GABLE DETAIL

**VICTORIAN OR CLASSIC SHINGLE**

DATE: 05/02/02

PAGE\FILE  
**VC-30**

CAP FLASHING; 4" END LAPS WITH CONTINUOUS CAULK AT LAPS. POP RIVET TO COUNTER FLASHING 40" O.C. MAX. CAULK ALL RIVET HEADS.

FASTENERS; 20" O.C. MAX.

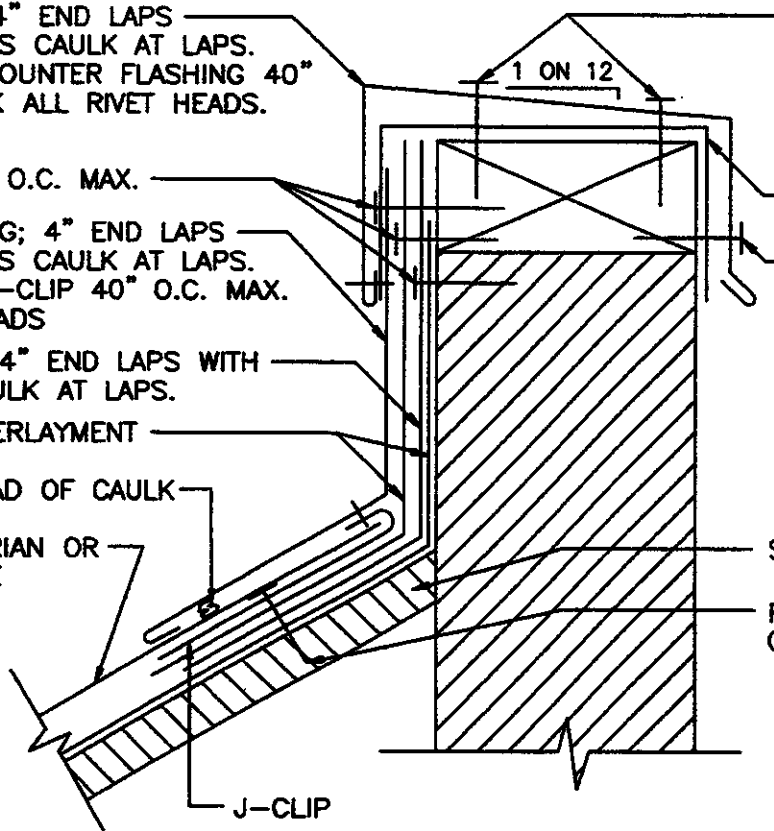
COUNTERFLASHING; 4" END LAPS WITH CONTINUOUS CAULK AT LAPS. POP RIVET TO J-CLIP 40" O.C. MAX. CAULK RIVET HEADS

SUB-FLASHING; 4" END LAPS WITH CONTINUOUS CAULK AT LAPS.

# 30 FELT UNDERLAYMENT

CONTINUOUS BEAD OF CAULK

BERRIDGE VICTORIAN OR CLASSIC SHINGLE

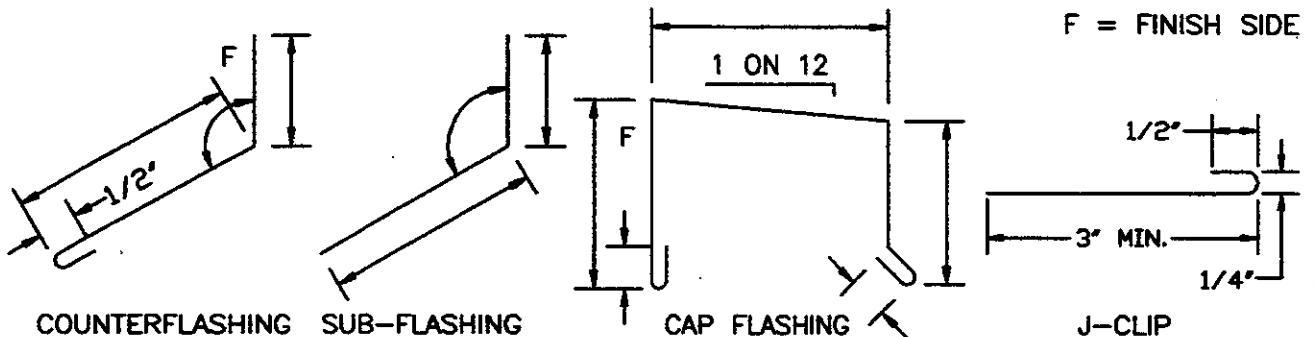


FASTENERS AT LAPS AND STAGGERED; 20" O.C. AND CAULK FASTENER HEADS  
# 30 FELT UNDERLAYMENT  
FASTENERS; 40" O.C. MAX. CAULK FASTENER HEADS

SOLID SHEATHING

FASTENERS; 20" O.C. MAX.

1. SOLID SHEATHING (BY OTHERS) TO BE MINIMUM 1/2" PLYWOOD OR EQUIVALENT IN STRENGTH FOR HOLDING POWER OF FASTENERS.
2. ALL FELT UNDERLAYMENT, CAULKING, AND FASTENERS, ARE ITEMS TO BE FURNISHED AND INSTALLED BY THE ROOFING INSTALLER AT THE DISCRETION OF THE ARCHITECT.



**Berridge  
Manufacturing  
Company**

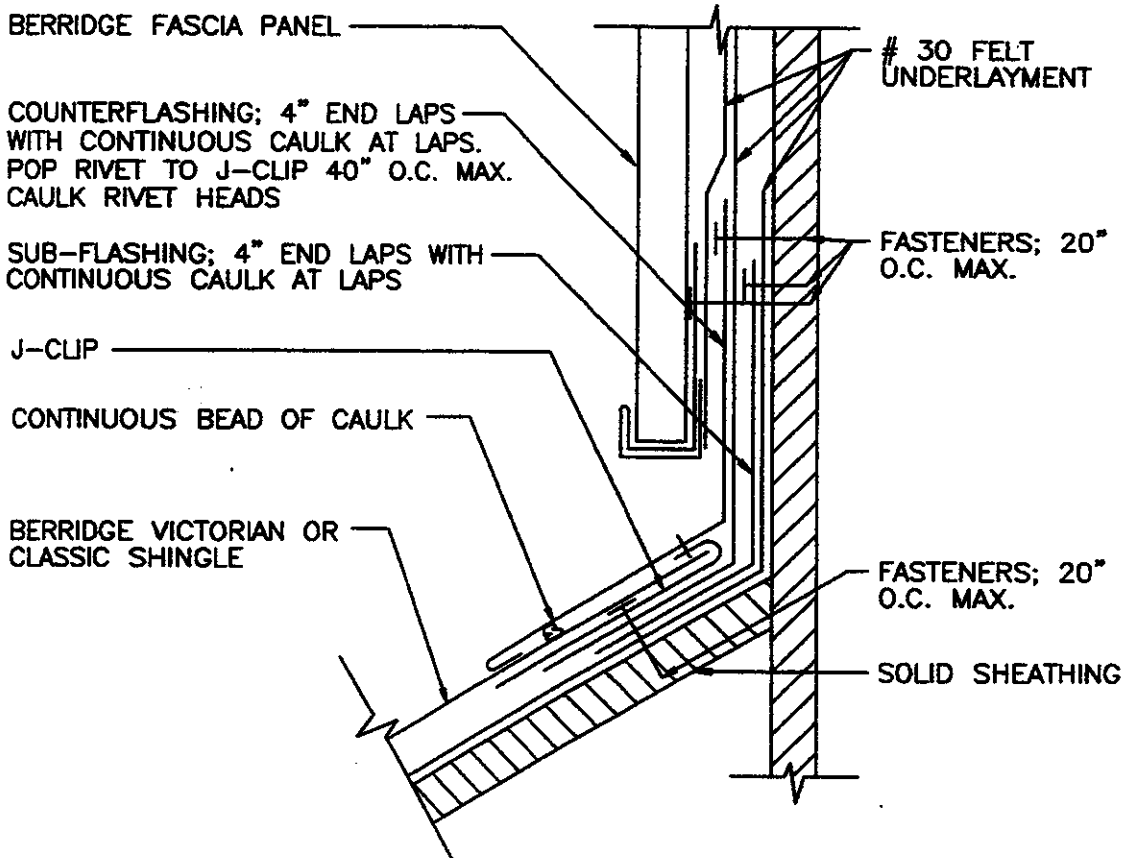
## PARAPET DETAIL

DATE: 05/02/02

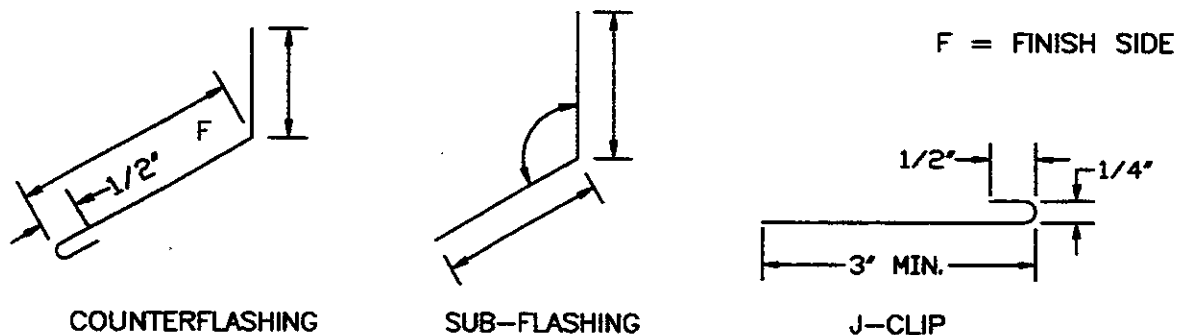
**VICTORIAN OR CLASSIC SHINGLE**

PAGE\FILE

**VC-40**



1. SOLID SHEATHING (BY OTHERS) TO BE MINIMUM 1/2" PLYWOOD OR EQUIVALENT IN STRENGTH FOR HOLDING POWER OF FASTENERS.
2. ALL FELT UNDERLAYMENT, CAULKING, AND FASTENERS, ARE ITEMS TO BE FURNISHED AND INSTALLED BY THE ROOFING INSTALLER AT THE DISCRETION OF THE ARCHITECT.



DATE: 05/02/02

## HEAD WALL DETAIL

PAGE\FILE

VC-41

## VICTORIAN OR CLASSIC SHINGLE



**Berridge  
Manufacturing  
Company**

*Roofs of Distinction*

REGLET FLASHING; 4" END LAPS WITH CONTINUOUS CAULK AT LAPS

FASTENERS; 20" O.C. MAX.

COUNTERFLASHING; 4" END LAPS WITH CONTINUOUS CAULK AT LAPS. POP RIVET TO J-CLIP 40" O.C. MAX. CAULK RIVET HEADS

SUB-FLASHING; 4" END LAPS WITH CONTINUOUS CAULK AT LAPS.

# 30 FELT UNDERLAYMENT

J-CLIP

CONTINUOUS BEAD OF CAULK

BERRIDGE VICTORIAN OR CLASSIC SHINGLE

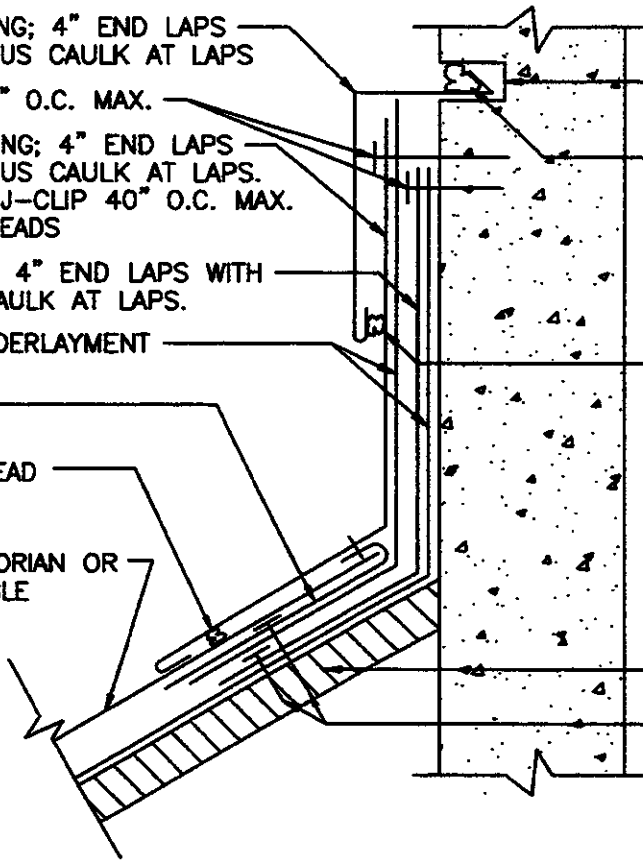
REGLET

CONTINUOUS CAULK AT REGLET

CONTINUOUS BEAD OF CAULK

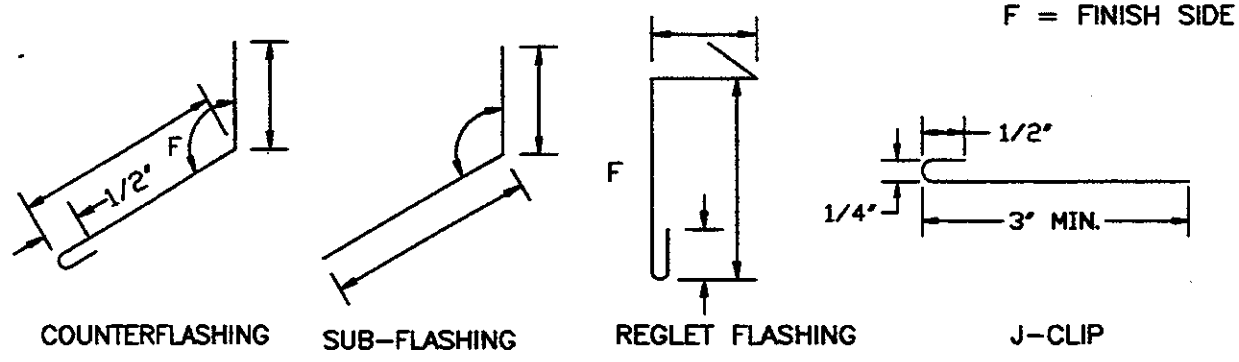
SOLID SHEATHING

FASTENERS; 20" O.C. MAX.



1. SOLID SHEATHING (BY OTHERS) TO BE MINIMUM 1/2" PLYWOOD OR EQUIVALENT IN STRENGTH FOR HOLDING POWER OF FASTENERS.

2. ALL FELT UNDERLAYMENT, CAULKING, AND FASTENERS, ARE ITEMS TO BE FURNISHED AND INSTALLED BY THE ROOFING INSTALLER AT THE DISCRETION OF THE ARCHITECT.



COUNTERFLASHING

SUB-FLASHING

REGLET FLASHING

J-CLIP



**Berridge**  
Manufacturing  
Company

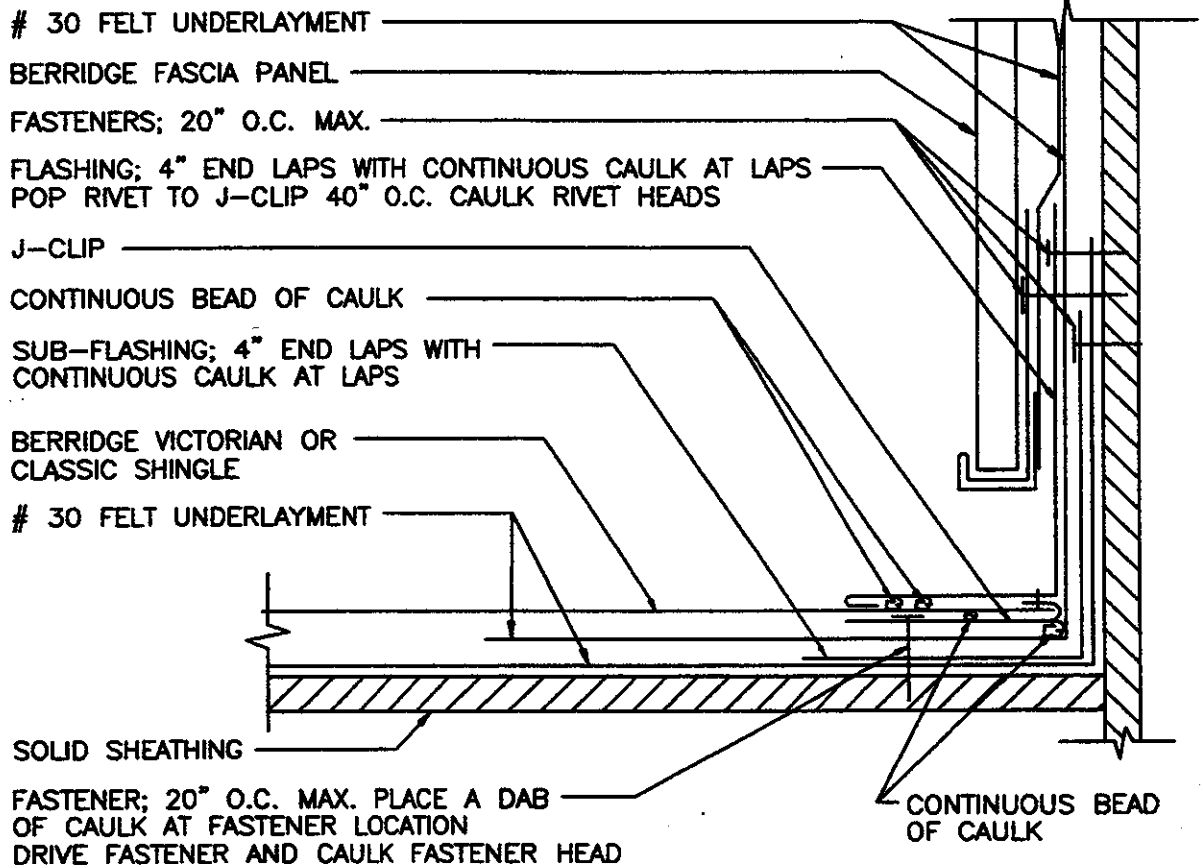
*Roofs of Distinction*

# HEAD WALL DETAIL

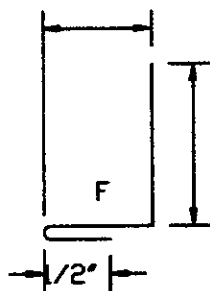
DATE: 05/02/02

**VICTORIAN OR CLASSIC SHINGLE**

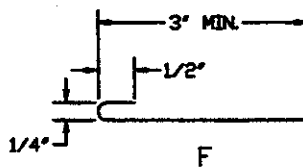
PAGE \ FILE  
**VC-42**



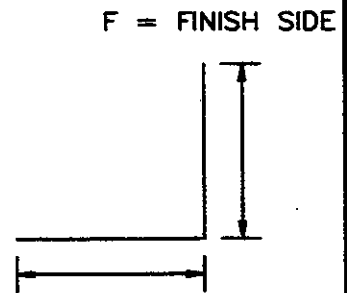
1. SOLID SHEATHING (BY OTHERS) TO BE MINIMUM 1/2" PLYWOOD OR EQUIVALENT IN STRENGTH FOR HOLDING POWER OF FASTENERS.
2. ALL FELT UNDERLAYMENT, CAULKING, AND FASTENERS, ARE ITEMS TO BE FURNISHED AND INSTALLED BY THE ROOFING INSTALLER AT THE DISCRETION OF THE ARCHITECT.



FLASHING



J-CLIP



SUB-FLASHING



**Berridge**  
Manufacturing  
Company

## RAKE WALL DETAIL

VICTORIAN OR CLASSIC SHINGLE

DATE: 05/02/02

PAGE\FILE  
VC-50

REGLET FLASHING; 4" END LAPS WITH CONTINUOUS CAULK AT LAPS

FASTENERS; 20" O.C. MAX.

SUB-FLASHING; 4" END LAPS WITH CONTINUOUS CAULK AT LAPS

FLASHING; 4" END LAPS WITH CONTINUOUS CAULK AT LAPS  
POP RIVET TO J-CLIP 40" O.C.  
CAULK RIVET HEADS

CONTINUOUS BEAD OF CAULK

BERRIDGE VICTORIAN OR CLASSIC SHINGLE

REGLET

CONTINUOUS CAULK AT REGLET

CONTINUOUS BEAD OF CAULK

J-CLIP

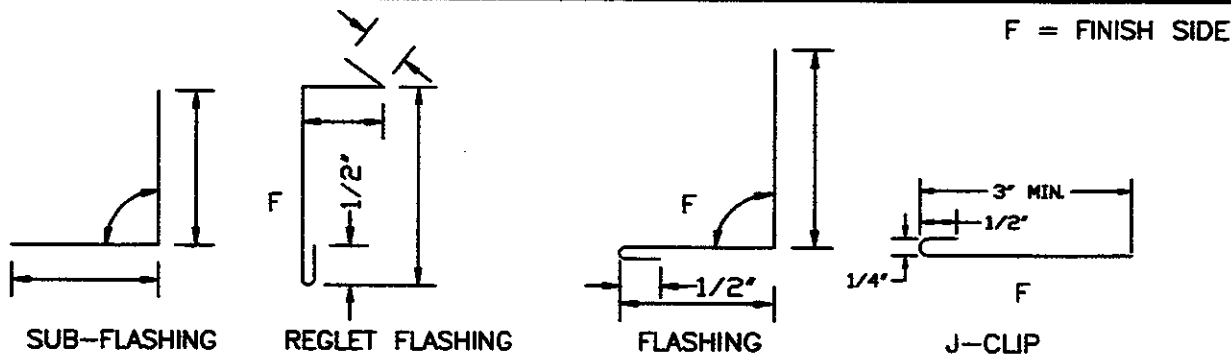
CONTINUOUS BEAD OF CAULK

SOLID SHEATHING

# 30 FELT UNDERLAYMENT  
TOP LAYER OF FELT TO BE PARALLEL WITH ROOF SLOPE

FASTENERS; 20" O.C. MAX. PLACE A DAB OF CAULK AT FASTENER LOCATION  
DRIVE FASTENER AND CAULK FASTENER HEAD.

1. SOLID SHEATHING (BY OTHERS) TO BE MINIMUM 1/2" PLYWOOD OR EQUIVALENT IN STRENGTH FOR HOLDING POWER OF FASTENERS.
2. ALL FELT UNDERLAYMENT, CAULKING, AND FASTENERS, ARE ITEMS TO BE FURNISHED AND INSTALLED BY THE ROOFING INSTALLER AT THE DISCRETION OF THE ARCHITECT.



DATE: 05/02/02

RAKE WALL DETAIL

PAGE\FILE

VC-51

VICTORIAN OR CLASSIC SHINGLE



**Berridge**  
Manufacturing  
Company

*Roofs of Distinction*

BERRIDGE VICTORIAN  
OR CLASSIC SHINGLE

TRANSITION FLASHING; 4"  
END LAPS WITH CONTINUOUS  
CAULK AT LAPS. POP RIVET  
TO J-CLIP 40" O.C. MAX.  
CAULK RIVET HEAD

CONTINUOUS BEAD OF CAULK

BERRIDGE VICTORIAN  
OR CLASSIC SHINGLE

SOLID SHEATHING

# 30 FELT  
UNDERLAYMENT

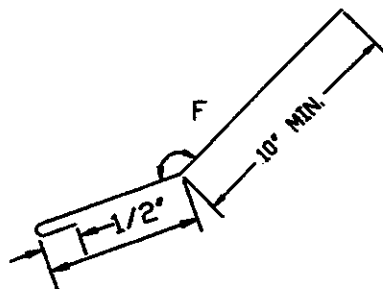
SUB-FLASHING; 4" END  
LAPS WITH CONTINUOUS  
CAULK AT LAPS

FASTENERS; 40" O.C.

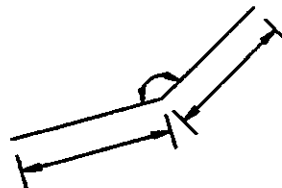
J-CLIP

NOTE: PLACE A DAB OF CAULK AT  
J-CLIP FASTENER LOCATION, DRIVE  
FASTENER THROUGH CAULK, AND CAULK  
FASTENER HEADS.

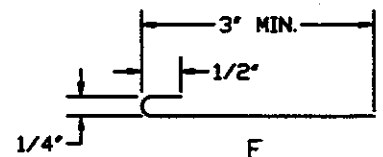
1. SOLID SHEATHING (BY OTHERS) TO BE MINIMUM 1/2" PLYWOOD OR EQUIVALENT IN STRENGTH FOR HOLDING POWER OF FASTENERS.
2. ALL FELT UNDERLAYMENT, CAULKING, AND FASTENERS, ARE ITEMS TO BE FURNISHED AND INSTALLED BY THE ROOFING INSTALLER AT THE DISCRETION OF THE ARCHITECT.



TRANSITION FLASHING



SUB-FLASHING



J-CLIP

F = FINISH SIDE



**Berridge**  
Manufacturing  
Company

SLOPE TRANSITION DETAIL

VICTORIAN OR CLASSIC SHINGLE

DATE: 05/02/02

PAGE\FILE  
VC-60

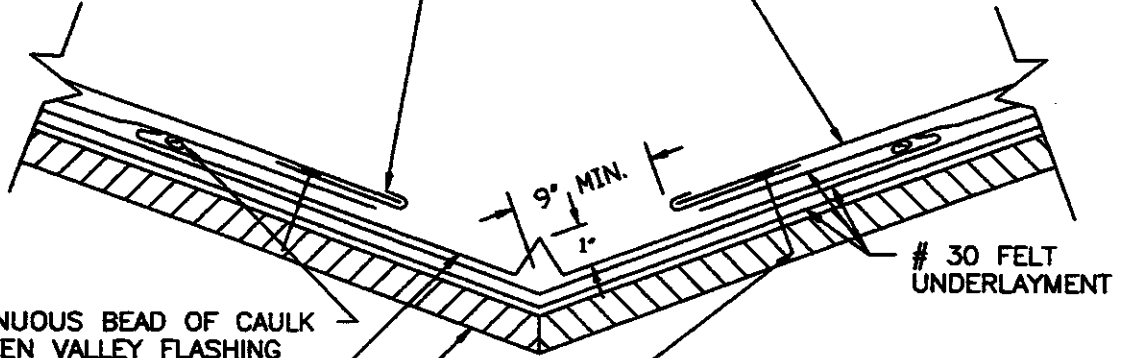
BERRIDGE VICTORIAN OR CLASSIC SHINGLE  
FIELD CUT AS REQUIRED TO VALLEY LINE

J-CLIP BUTT ENDS FOR WEEP  
DO NOT CAULK IN OR UNDER  
J-CLIP

CONTINUOUS BEAD OF CAULK  
BETWEEN VALLEY FLASHING  
AND FELT UNDERLAYMENT

VALLEY FLASHING  
SOLID SHEATHING

FASTENERS, 24" D.C., PLACE A  
DAB OF CAULK AT FASTENER  
LOCATIONS, DRIVE FASTENERS AND  
CAULK FASTENER HEADS

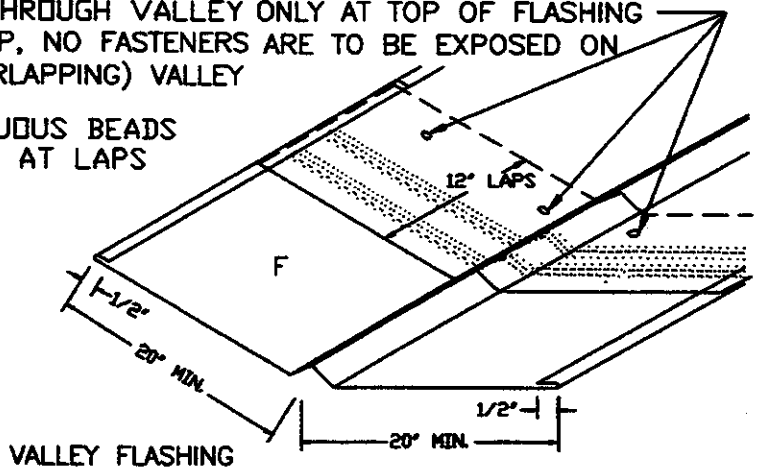
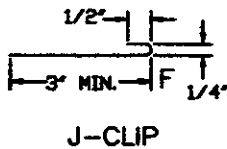


1. SOLID SHEATHING (BY OTHERS) TO BE A MINIMUM OF 1/2" PLYWOOD OR EQUIVALENT IN STRENGTH FOR HOLDING POWER OF FASTENERS.
2. ALL FELT UNDERLAYMENT, CAULKING, AND FASTENERS, ARE ITEMS TO BE FURNISHED AND INSTALLED BY THE ROOFING INSTALLER AT THE DISCRETION OF THE ARCHITECT.

F = FINISH SIDE

FASTEN THROUGH VALLEY ONLY AT TOP OF FLASHING  
UNDER LAP, NO FASTENERS ARE TO BE EXPOSED ON  
TOP (OVERLAPPING) VALLEY

2 CONTINUOUS BEADS  
OF CAULK AT LAPS



**Berridge  
Manufacturing  
Company**

## VALLEY DETAIL

**VICTORIAN OR CLASSIC SHINGLE**

DATE: 05/02/02

PAGE \ FILE

**VC-70**

ROOF PIPE PENETRATION OF  
4" IN DIA. OR LESS

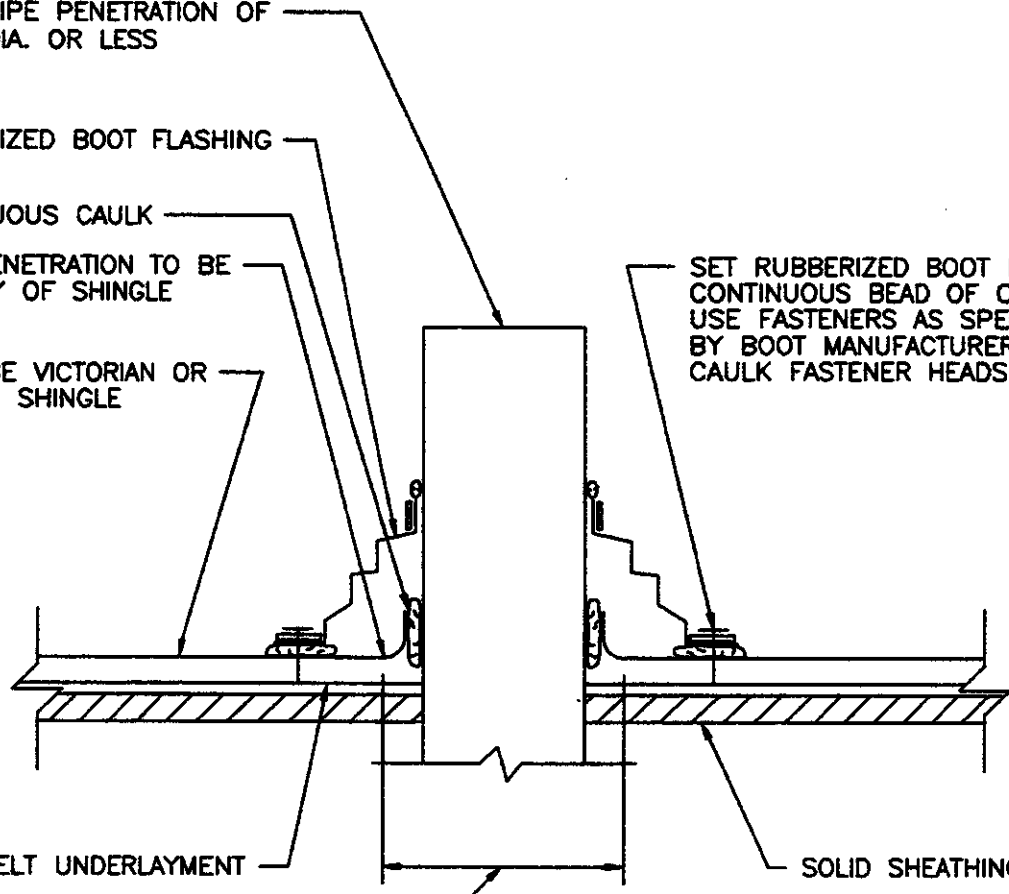
RUBBERIZED BOOT FLASHING

CONTINUOUS CAULK

PIPE PENETRATION TO BE  
IN BODY OF SHINGLE

BERRIDGE VICTORIAN OR  
CLASSIC SHINGLE

SET RUBBERIZED BOOT INTO  
CONTINUOUS BEAD OF CAULK.  
USE FASTENERS AS SPECIFIED  
BY BOOT MANUFACTURER  
CAULK FASTENER HEADS



# 30 FELT UNDERLAYMENT

SOLID SHEATHING

CUT SHINGLE 1" SMALLER THAN  
PENETRATION, BACK CUT TABS,  
FOLD TABS UP AROUND  
PENETRATION, AND CAULK.

NOTE: IF PIPE IS MADE OF METAL,  
IT MUST BE PAINTED TO PREVENT RUST  
RUN-OFF FROM STAINING PANELS.

NOTE: POSITION SQUARE BASED BOOTS IN A DIAMOND  
ORIENTATION WHERE POSSIBLE TO AID IN DIVERTING WATER.



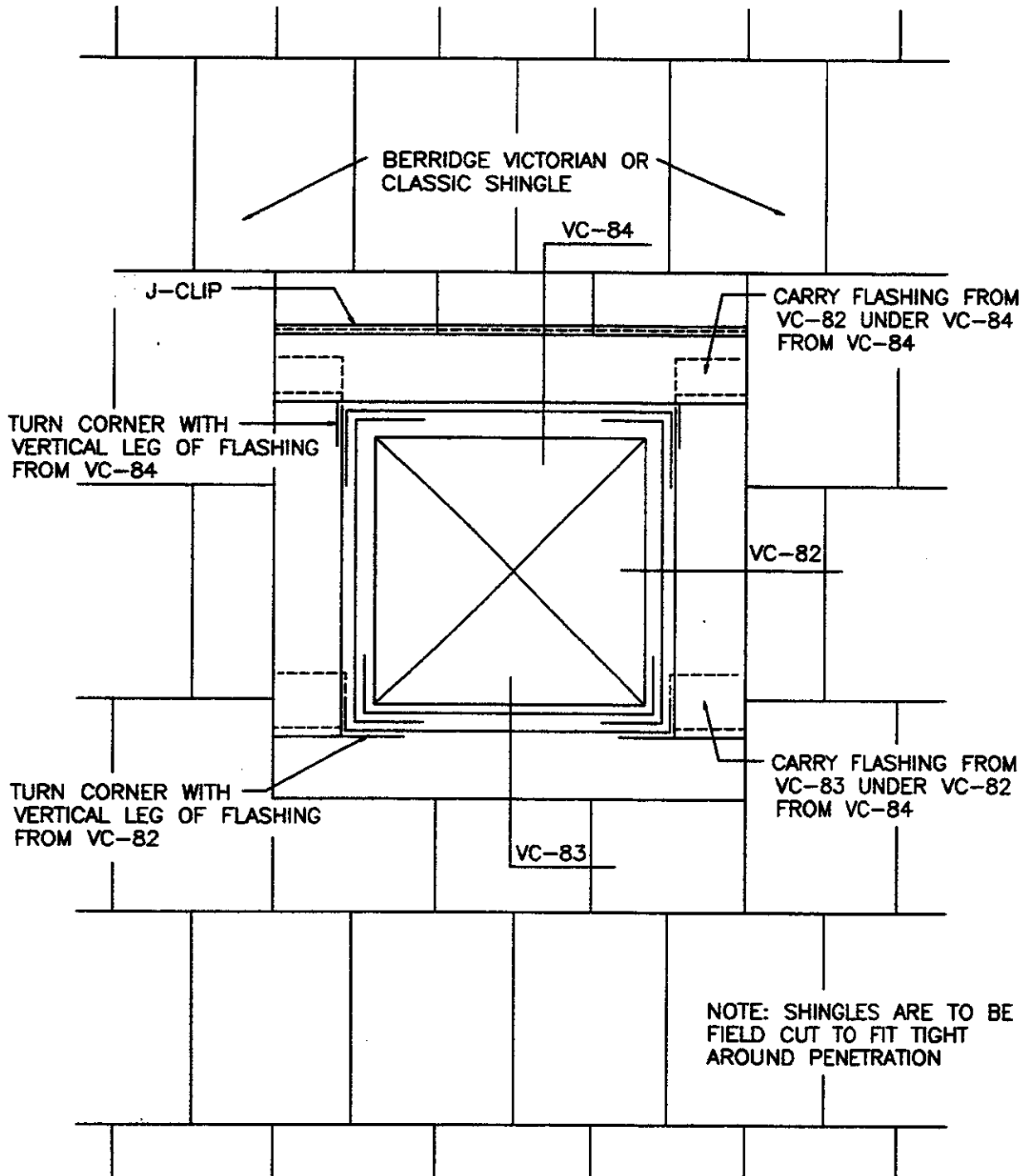
**Berridge  
Manufacturing  
Company**

PIPE PENETRATION  
4" DIA. OR LESS

DATE: 05/02/02

**VICTORIAN OR CLASSIC SHINGLE**

PAGE\FILE  
**VC-80**



DATE: 05/02/02

ROOF PENETRATION  
RECTANGULAR/SQUARE

PAGE \ FILE  
VC-81

VICTORIAN OR CLASSIC SHINGLE



**Berridge**  
Manufacturing  
Company

COUNTER FLASHING; 4" END LAPS WITH CONTINUOUS CAULK AT LAPS

FASTENERS; 20" O.C. MAX.

SUB-FLASHING; 4" END LAPS WITH CONTINUOUS CAULK AT LAPS

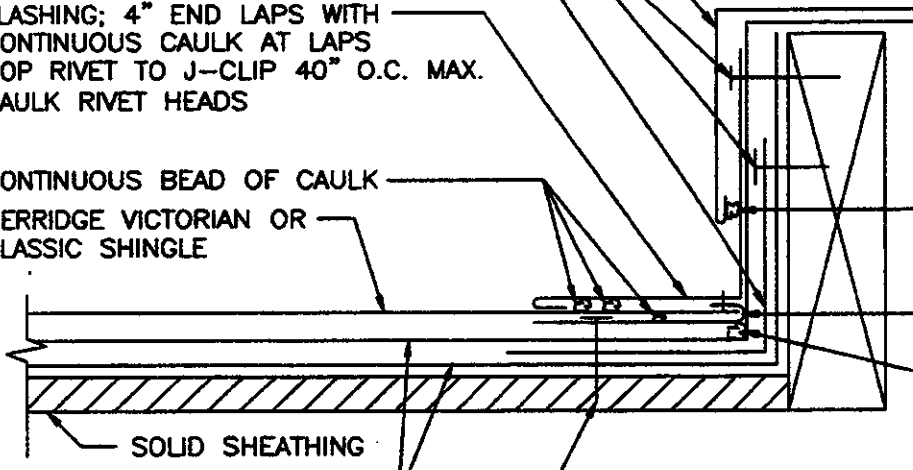
FLASHING; 4" END LAPS WITH CONTINUOUS CAULK AT LAPS  
POP RIVET TO J-CLIP 40" O.C. MAX.  
CAULK RIVET HEADS

CONTINUOUS BEAD OF CAULK  
BERRIDGE VICTORIAN OR CLASSIC SHINGLE

CONTINUOUS BEAD OF CAULK

J-CLIP

CONTINUOUS BEAD OF CAULK

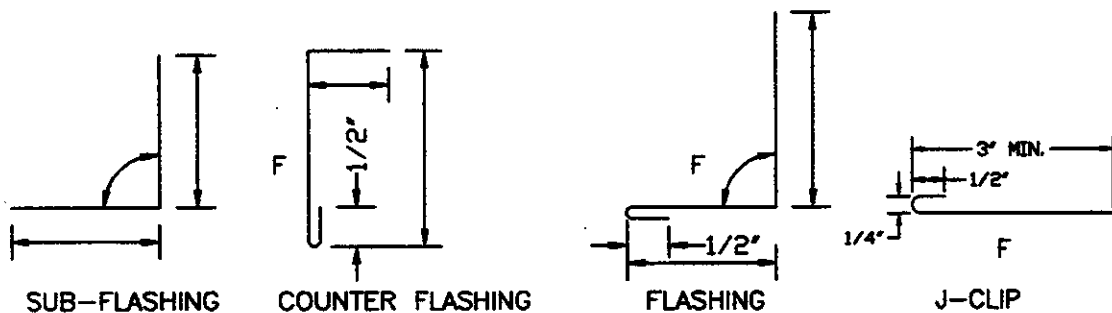


# 30 FELT UNDERLAYMENT  
TOP LAYER OF FELT TO BE PARALLEL WITH ROOF SLOPE

FASTENERS; 20" O.C. MAX. PLACE A DAB OF CAULK AT FASTENER LOCATION  
DRIVE FASTENER AND CAULK FASTENER HEAD

1. SOLID SHEATHING (BY OTHERS) TO BE MINIMUM 1/2" PLYWOOD OR EQUIVALENT IN STRENGTH FOR HOLDING POWER OF FASTENERS.
2. ALL FELT UNDERLAYMENT, CAULKING, AND FASTENERS, ARE ITEMS TO BE FURNISHED AND INSTALLED BY THE ROOFING INSTALLER AT THE DISCRETION OF THE ARCHITECT.

F = FINISH SIDE



**Berridge  
Manufacturing  
Company**

*Roofs of Distinction*

## ROOF PENETRATION SECTION DETAIL

DATE: 05/02/02

**VICTORIAN OR CLASSIC SHINGLE**

PAGE\FILE

**VC-82**

COUNTER FLASHING; 4" END LAPS WITH CONTINUOUS CAULK AT LAPS

FASTENERS; 20" O.C. MAX.

FLASHING; 4" END LAPS WITH CONTINUOUS CAULK AT LAPS. POP RIVET TO J-CLIP 40" O.C. MAX. CAULK RIVET HEADS

SUB-FLASHING; 4" END LAPS WITH CONTINUOUS CAULK AT LAPS.

# 30 FELT UNDERLAYMENT

J-CLIP

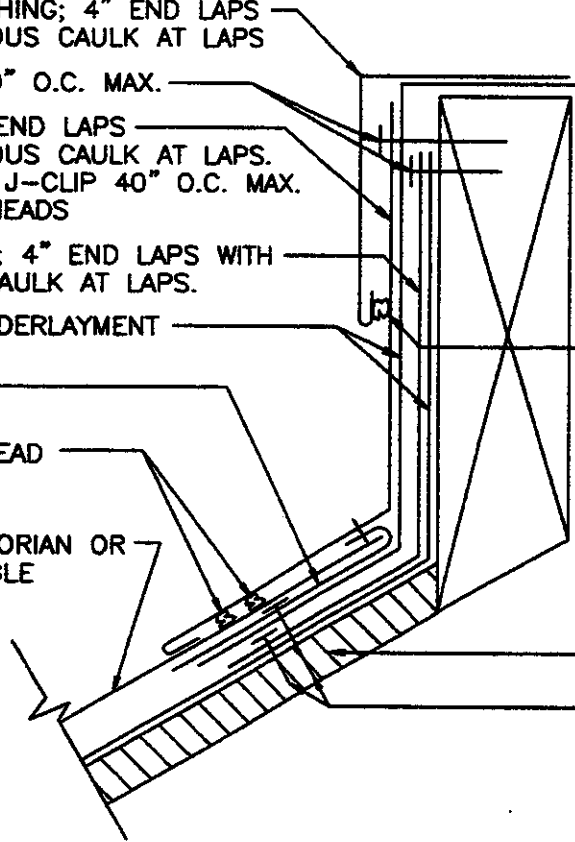
CONTINUOUS BEAD OF CAULK

BERRIDGE VICTORIAN OR CLASSIC SHINGLE

CONTINUOUS BEAD OF CAULK

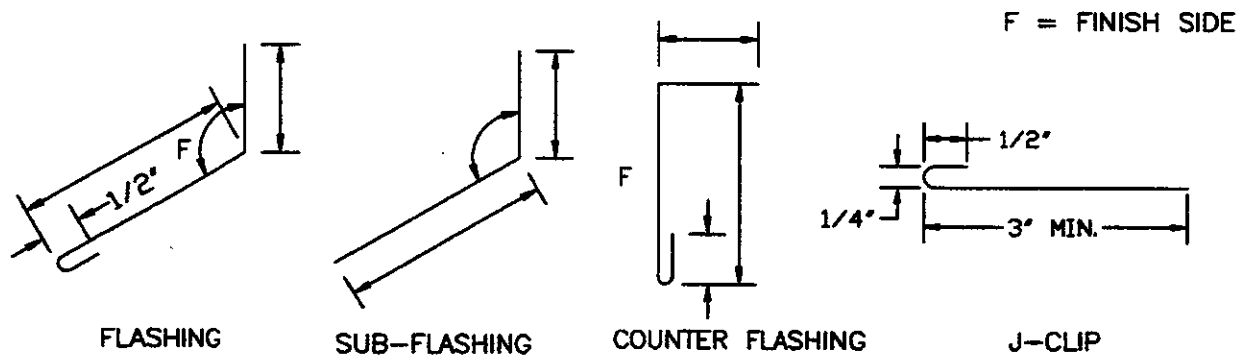
SOLID SHEATHING

FASTENERS; 20" O.C. MAX.



1. SOLID SHEATHING (BY OTHERS) TO BE MINIMUM 1/2" PLYWOOD OR EQUIVALENT IN STRENGTH FOR HOLDING POWER OF FASTENERS.

2. ALL FELT UNDERLAYMENT, CAULKING, AND FASTENERS, ARE ITEMS TO BE FURNISHED AND INSTALLED BY THE ROOFING INSTALLER AT THE DISCRETION OF THE ARCHITECT.



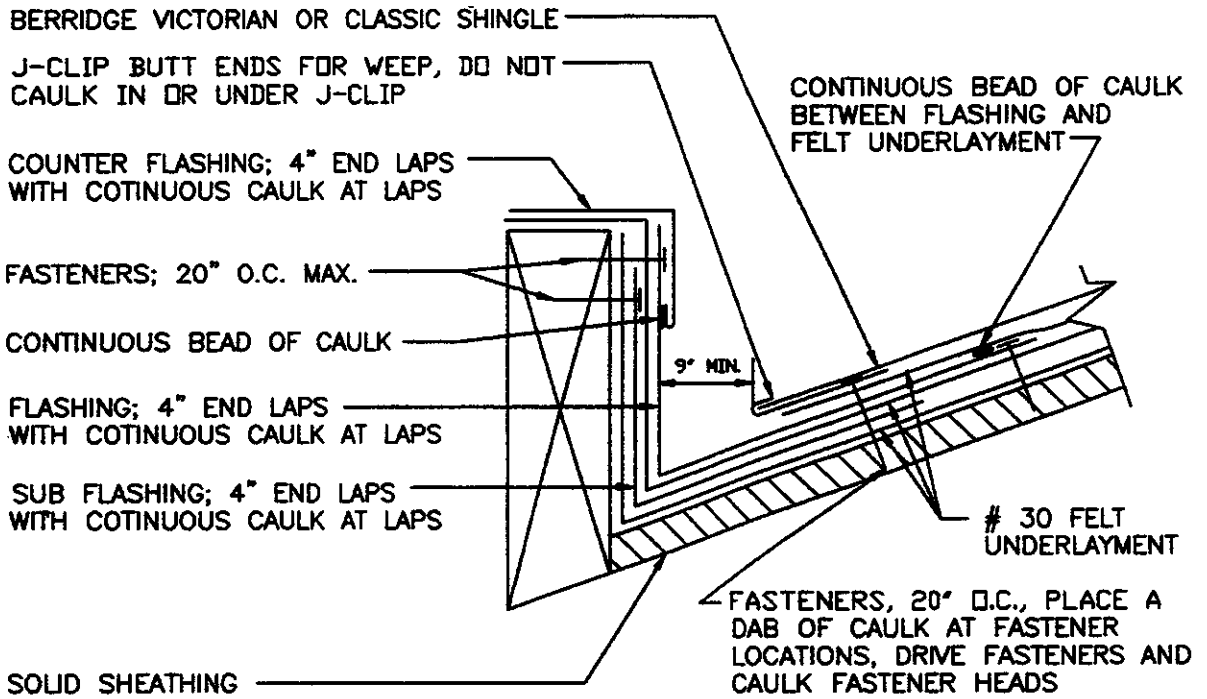
DATE: 05/02/02

ROOF PENETRATION SECTION DETAIL

PAGE \ FILE  
VC-83

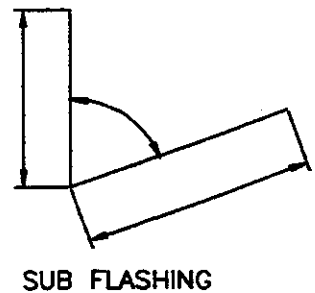
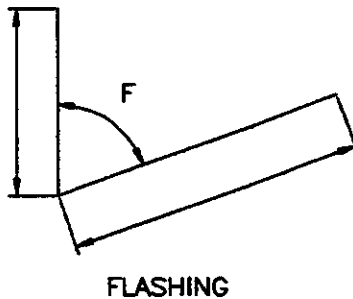
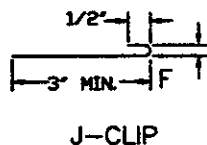
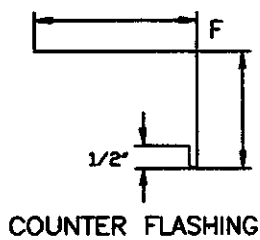
VICTORIAN OR CLASSIC SHINGLE

**Berridge**  
Manufacturing  
Company  
*Roofs of Distinction*



1. SOLID SHEATHING (BY OTHERS) TO BE A MINIMUM OF 1/2" PLYWOOD OR EQUIVALENT IN STRENGTH FOR HOLDING POWER OF FASTENERS.
2. ALL FELT UNDERLAYMENT, CAULKING, AND FASTENERS, ARE ITEMS TO BE FURNISHED AND INSTALLED BY THE ROOFING INSTALLER AT THE DISCRETION OF THE ARCHITECT.

F = FINISH SIDE



**Berridge**  
**Manufacturing**  
**Company**

*Roofs of Distinction*

**ROOF PENETRATION  
SECTION DETAIL**

**VICTORIAN OR CLASSIC SHINGLE**

DATE: 05/02/02

PAGE\FILE  
**VC-84**